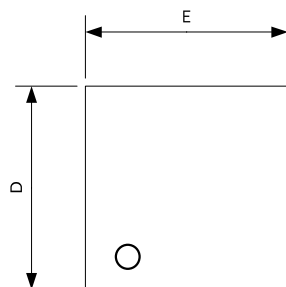
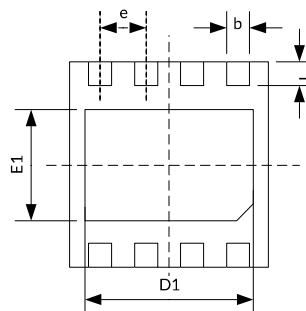


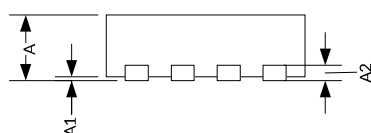
TDFN-3x3-8L⁽²⁾



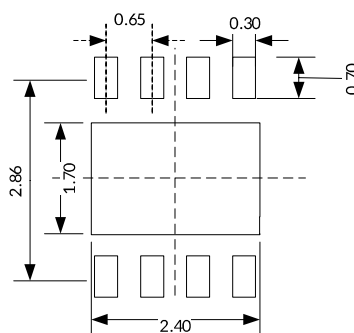
TOP VIEW



BOTTOM VIEW



SIDE VIEW



RECOMMENDED LAND PATTERN
(Unit: mm)

| Symbol | Dimensions In Millimeters | | Dimensions In Inches | |
|------------------|---------------------------|-------|----------------------|-------|
| | Min | Max | Min | Max |
| A ⁽¹⁾ | 0.700 | 0.800 | 0.028 | 0.031 |
| A1 | 0.000 | 0.050 | 0.000 | 0.002 |
| A2 | 0.203 | | 0.008 | |
| b | 0.250 | 0.350 | 0.010 | 0.014 |
| D ⁽¹⁾ | 2.900 | 3.100 | 0.114 | 0.122 |
| D1 | 2.350 | 2.450 | 0.093 | 0.096 |
| E ⁽¹⁾ | 2.900 | 3.100 | 0.114 | 0.122 |
| E1 | 1.650 | 1.750 | 0.065 | 0.069 |
| e | 0.650 TYP | | 0.026 TYP | |
| L | 0.370 | 0.470 | 0.015 | 0.019 |

NOTE:

1. Plastic or metal protrusions of 0.075mm maximum per side are not included.
2. This drawing is subject to change without notice.