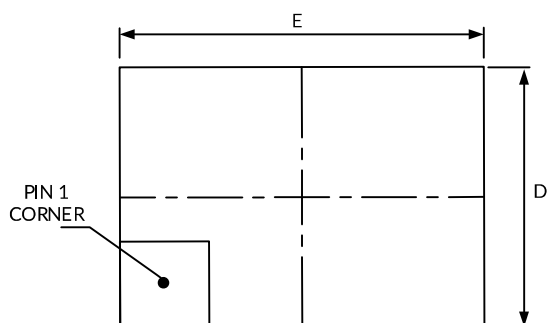
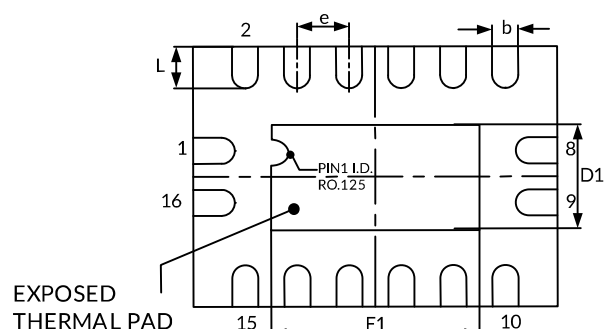
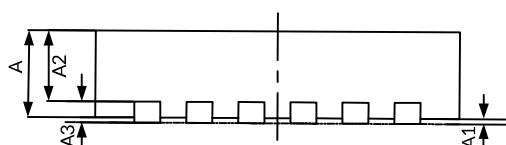
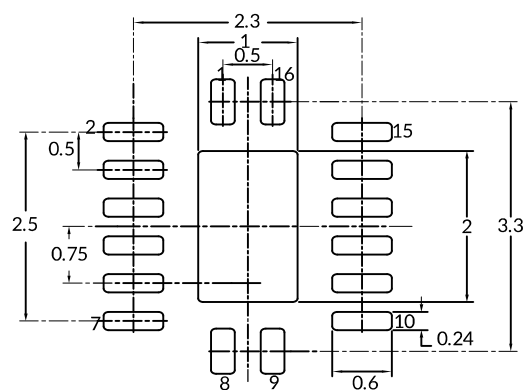


12 PACKAGE OUTLINE DIMENSIONS

QFN2.5x3.5-16L⁽⁴⁾

TOP VIEW

BOTTOM VIEW

SIDE VIEW

RECOMMENDED LAND PATTERN (Unit: mm)

Symbol	Dimensions In Millimeters		Dimensions In Inches	
	Min	Max	Min	Max
A ⁽¹⁾	0.800	1.000	0.031	0.039
A1	0.000	0.050	0.000	0.002
A2	0.600	0.700	0.024	0.028
A3	0.203(REF) ⁽²⁾		0.008(REF) ⁽²⁾	
D ⁽¹⁾	2.400	2.600	0.094	0.102
E ⁽¹⁾	3.400	3.600	0.134	0.142
e	0.500(BSC) ⁽³⁾		0.020(BSC) ⁽³⁾	
b	0.180	0.300	0.007	0.012
L	0.300	0.500	0.012	0.020
D1	0.850	1.150	0.033	0.045
E1	1.850	2.150	0.073	0.085

NOTE:

1. Plastic or metal protrusions of 0.075mm maximum per side are not included.
2. REF is the abbreviation for Reference.
3. BSC (Basic Spacing between Centers), "Basic" spacing is nominal
4. This drawing is subject to change without notice.