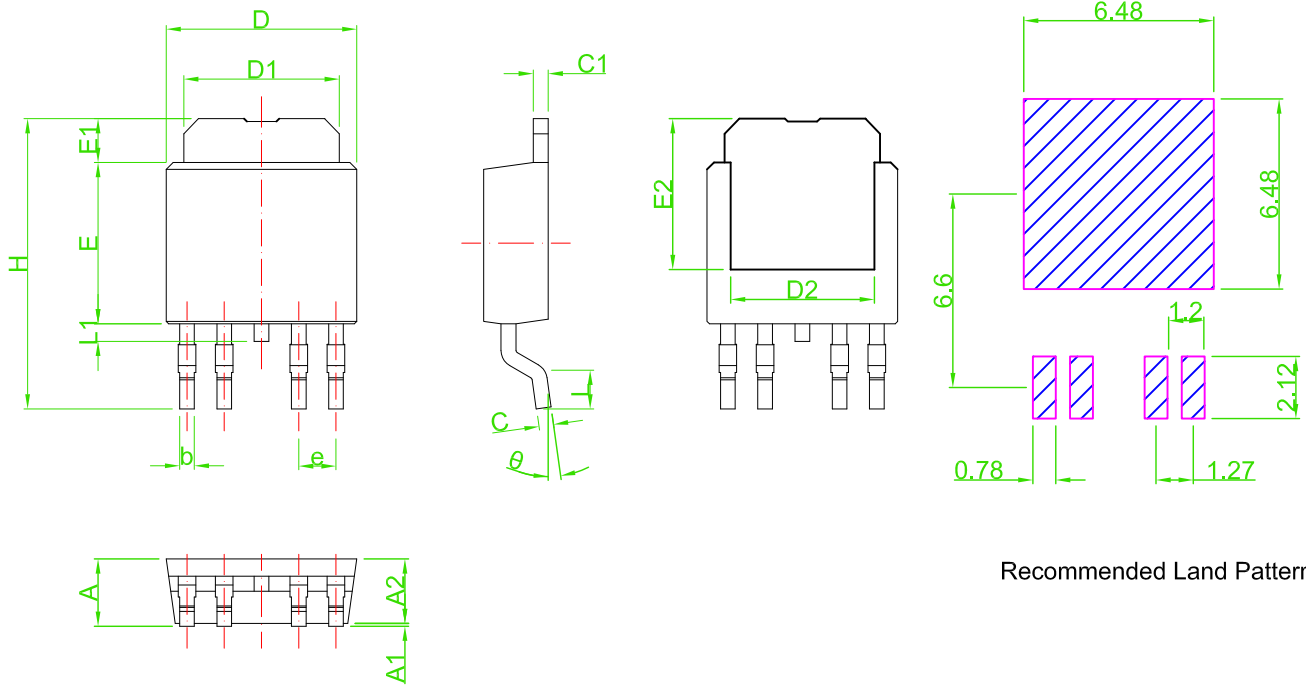
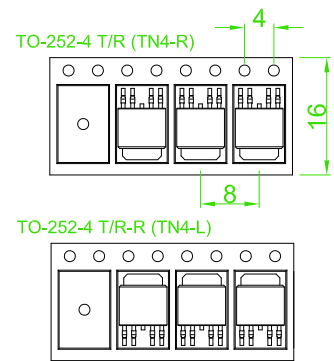


禁用RoHS / REACH/SS00259 之有害物質



Recommended Land Pattern

Symbol	Dimensions in Millimeters		Dimensions in Inches	
	Min	Max	Min	Max
A	2.25	2.55	0.089	0.100
A1	0.00	0.15	0.000	0.006
A2	2.20	2.40	0.087	0.094
b	0.50	0.70	0.020	0.028
c	0.46	0.66	0.018	0.026
c1	0.46	0.66	0.018	0.026
D	6.30	6.70	0.248	0.264
D1	5.20	5.40	0.205	0.213
D2	5.10	5.40	0.201	0.213
E	5.30	5.70	0.209	0.224
E1	1.50	1.75	0.059	0.069
E2	4.90	5.40	0.193	0.213
H	9.40	10.40	0.370	0.409
e	1.27 TYP		0.50 TYP	
L	1.40	1.77	0.055	0.070
L1	0.50	0.70	0.020	0.028
theta	0°	8°	0°	8°



Q'ty / Reel	Reel Size
2500pcs	13"

Refer to JEDEC No. TO-252



友順科技股份有限公司
UNISONIC TECHNOLOGIES CO.,LTD

正式發行圖面

SCALE	mm
4:1	0 30
SHEET	THIRD ANGLE PROJECTION
1 of 1	FOR ISSUE
ENG	AUG 04 2023 James Wu 2023/7/19
APPR	文件管理中心 Ken Huang 2023/7/31

UTC Doc Control Center

REV: A5
PART NO: TO-252-4
DWG NO: DIM-TO252-4-000-A5

TITLE
TO-252-4
Package Dimensions