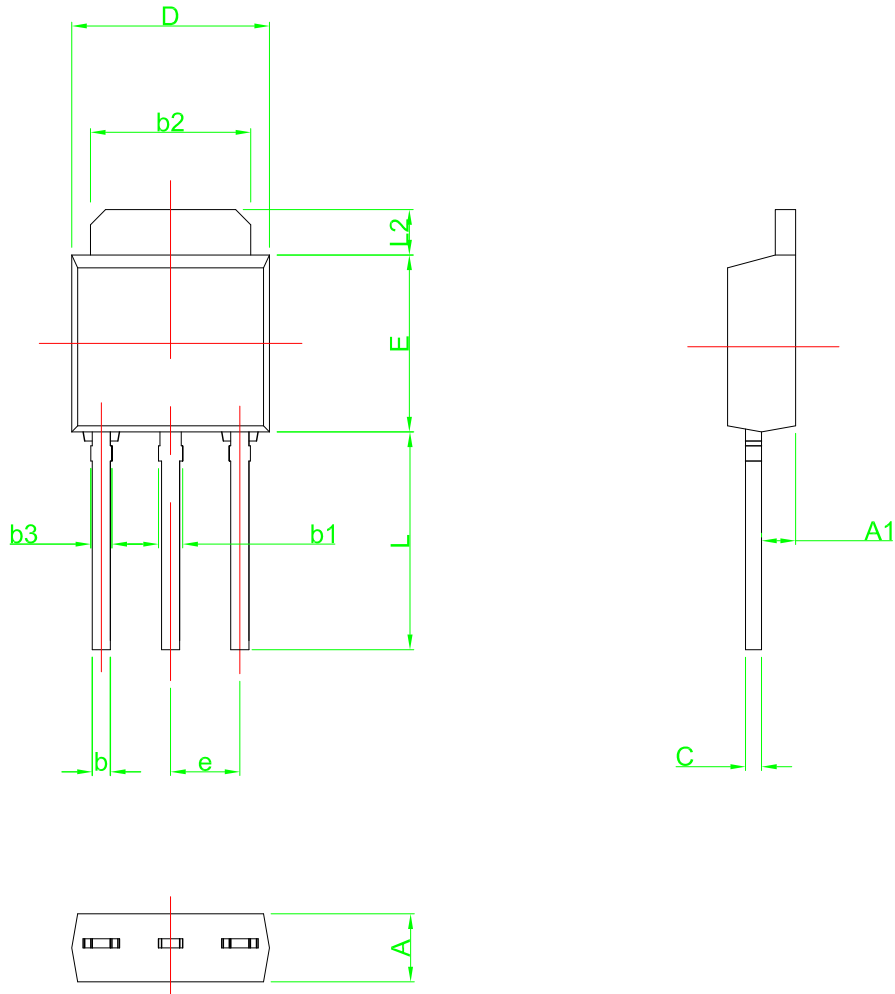


禁用RoHS / REACH/SS00259 之有害物質



| Symbol | Dimensions in Millimeters | | Dimensions in Inches | |
|--------|---------------------------|------|----------------------|-------|
| | Min | Max | Min | Max |
| A | 2.15 | 2.45 | 0.085 | 0.096 |
| A1 | 1.05 | 1.35 | 0.041 | 0.053 |
| b | 0.50 | 0.70 | 0.020 | 0.028 |
| b1 | 0.70 | 1.00 | 0.028 | 0.039 |
| b2 | 5.15 | 5.45 | 0.203 | 0.215 |
| b3 | 0.50 | 0.80 | 0.020 | 0.031 |
| C | 0.40 | 0.60 | 0.016 | 0.024 |
| D | 6.45 | 6.75 | 0.254 | 0.266 |
| E | 5.45 | 5.75 | 0.215 | 0.226 |
| e | 2.30TYP | | 0.091TYP | |
| L | 7.30 | 7.70 | 0.287 | 0.303 |
| L2 | 1.45 | 1.75 | 0.057 | 0.069 |



友順科技股份有限公司
UNISONIC TECHNOLOGIES CO.,LTD

正式發行圖面

| | |
|--|------------------------|
| SCALE | mm |
| 4:發行 | 0 30 |
| SHEET 1 of 1 | THIRD ANGLE PROJECTION |
| Dec 15 2015 | |
| ENG. 文件管理 2015/12/08 | |
| APPR. UTC Doc Control Center Kelvin Lee 2015/12/09 | |

REV: A0
PART NO: TO-251N
DWG NO: DIM-TO-251N-000-A0

TITLE
TO-251N
Package Dimensions