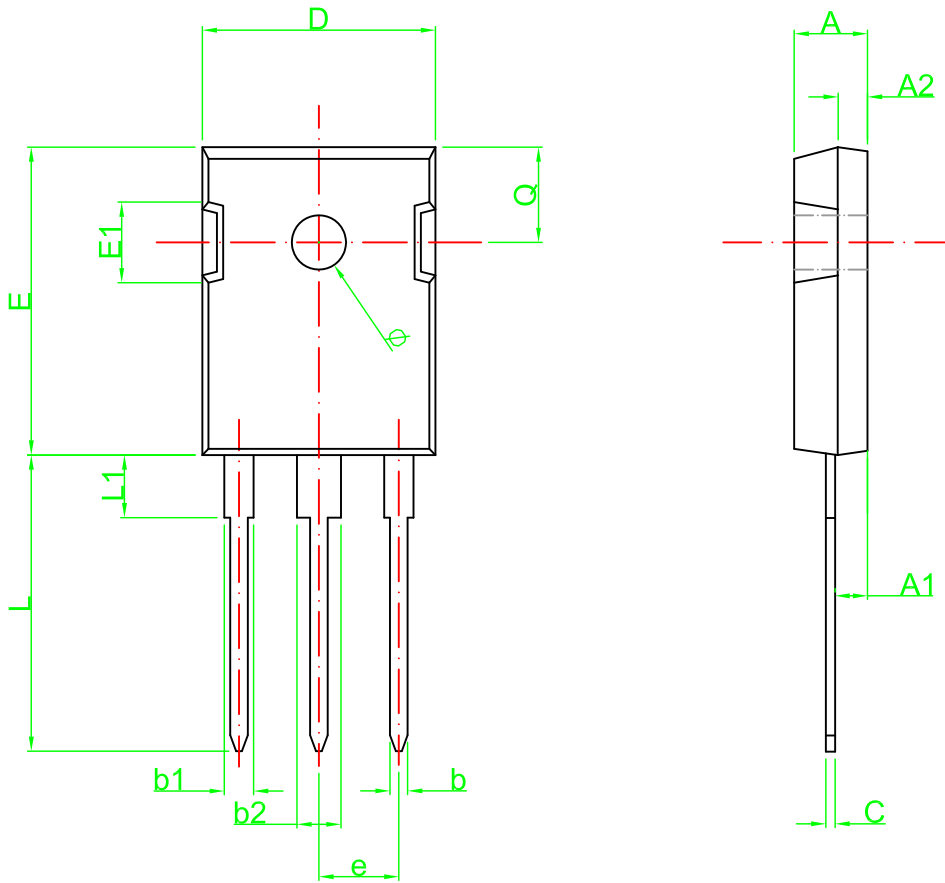


禁用RoHS / REACH/SS00259 之有害物質



Symbol	Dimensions In Millimeters		Dimensions In Inches	
	Min	Max	Min	Max
A	4.70	5.31	0.185	0.209
A1	2.18	2.59	0.086	0.102
A2	1.50	2.49	0.059	0.098
b	1.10	1.35	0.043	0.053
b2	2.85	3.20	0.112	0.126
b1	1.90	2.20	0.075	0.087
C	0.38	0.89	0.015	0.035
D	15.49	16.26	0.610	0.640
E	20.70	21.46	0.815	0.845
E1	4.32	5.49	0.170	0.216
e	5.46TYP		0.215TYP	
L	19.62	20.32	0.772	0.800
L1	4.22	4.50	0.166	0.177
Q	5.38	6.20	0.212	0.244
ϕ	3.40	3.80	0.134	0.150

Refer to JEDEC NO. TO-247 AD



友順科技股份有限公司
UNISONIC TECHNOLOGIES CO.,LTD

正式發行圖面

SCALE	mm	
2:1	0	30
SHEET	THIRD ANGLE PROJECTION	
1 of 1	FOR ISSUE	
ENG	James Wu	2023/10/20
APPR.	Ken Huang	2023/10/23
UTC Doc.Control Center		

REV: A1
PART NO:TO-247
DWG NO:DIM-TO-247-000-A1

TITLE
TO-247
Package Dimensions