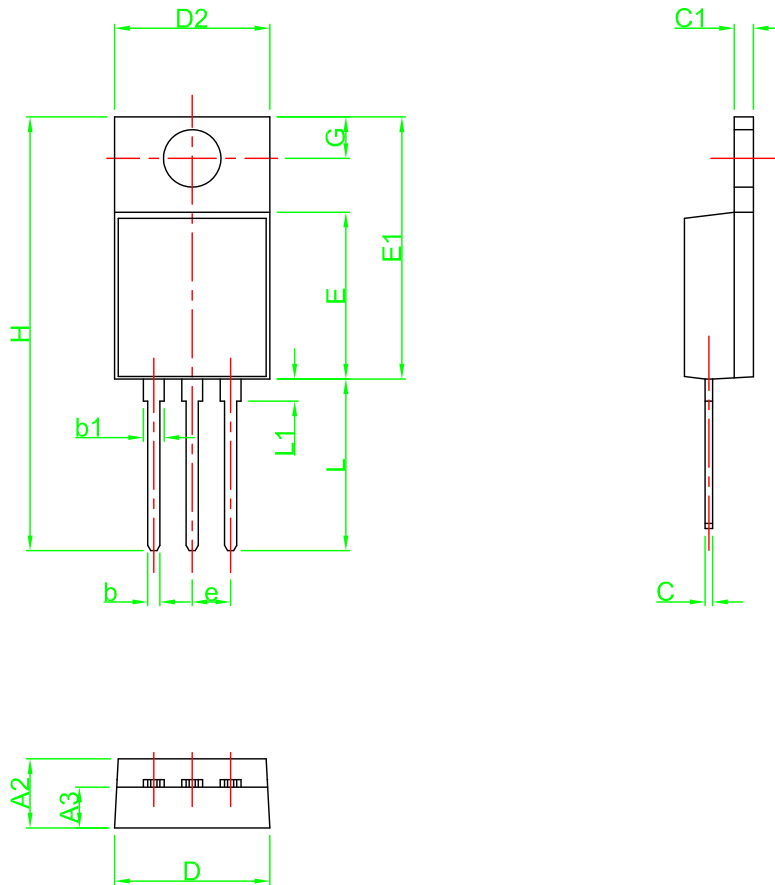


禁用RoHS / REACH/SS00259 之有害物質



Symbol	Dimensions in Millimeters		Dimensions in Inches	
	Min	Max	Min	Max
A2	4.27	4.82	0.168	0.190
A3	2.54	2.80	0.100	0.110
b	0.75	0.95	0.030	0.037
b1	1.27	1.47	0.050	0.058
C	0.40	0.60	0.016	0.024
C1	1.15	1.39	0.045	0.055
D	9.66	10.28	0.380	0.405
D2	10.06	10.46	0.396	0.412
E	10.83	11.23	0.426	0.442
E1	17.13	17.53	0.674	0.690
e	2.42	2.66	0.095	0.105
G	2.54	2.94	0.100	0.116
H	28.40	28.90	1.118	1.138
L	11.15	11.55	0.439	0.455
L1	1.36	1.56	0.054	0.061



友順科技股份有限公司
UNISONIC TECHNOLOGIES CO.,LTD

正式發行圖面

SCALE	mm
2:發行	0 30
SHEET	1 of 1
DR	Naomi Lin
of	JUL 16 2012
ENG.	Naomi Lin
APPR.	Henry Hsiao

THIRD ANGLE PROJECTION
文件管理中心
UTC Doc Control Center

REV: A0
PART NO: TO-230
DWG NO: DIM-TO-230-000-A0

TITLE
TO-230
Package Dimensions