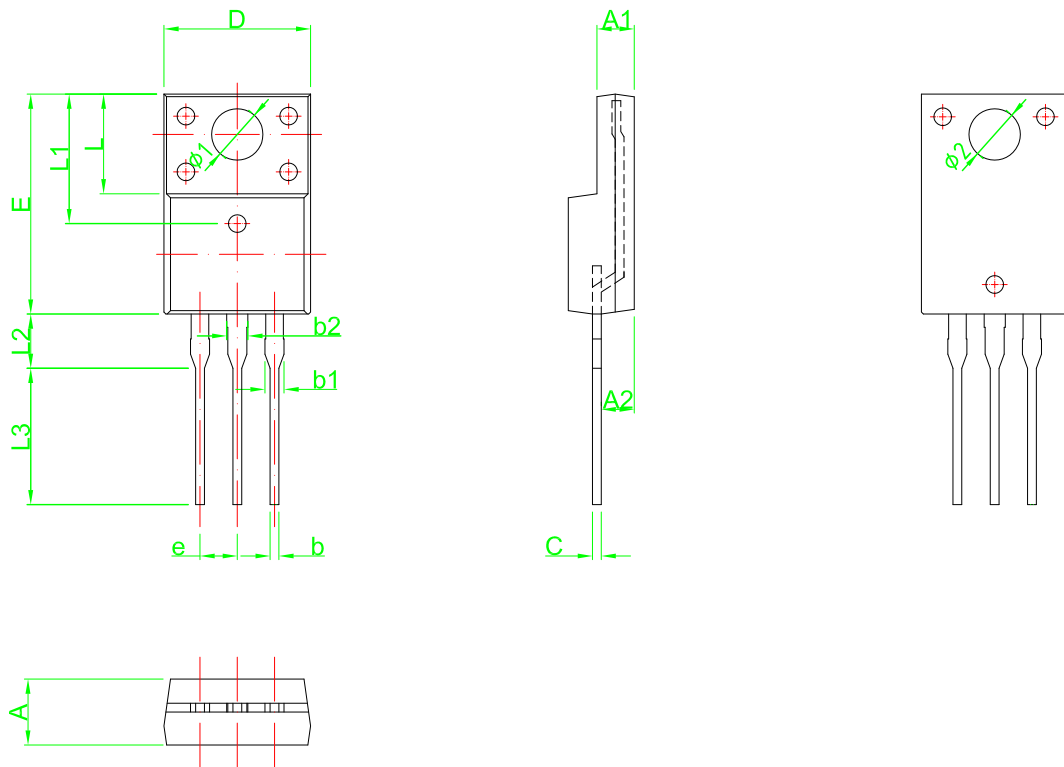


禁用RoSH/REACH/SS00259之有害物質



Symbol	Dimensions in Millimeters		Dimensions in Inches	
	Min	Max	Min	Max
A	4.50	4.90	0.177	0.193
A1	2.34	2.74	0.092	0.108
A2	2.65	2.95	0.104	0.116
b	0.75	0.90	0.030	0.035
b1	0.98	1.18	0.039	0.046
b2	1.00	1.40	0.039	0.055
C	0.40	0.60	0.016	0.024
D	10.70	11.30	0.421	0.445
E	15.47	16.27	0.609	0.641
e	3.95	4.55	0.156	0.179
L	6.40	7.00	0.252	0.276
L1	9.10	9.70	0.358	0.382
L2	1.70	2.30	0.067	0.091
L3	12.58	13.38	0.495	0.527
Ø1	2.98	3.38	0.117	0.133
Ø2	3.30	3.60	0.130	0.142



友順科技股份有限公司
UNISONIC TECHNOLOGIES CO.,LTD

REV: A1
PART NO:TO-220WF
DWG NO:DIM-TO-220WF-003-A1

TITLE
TO-220WF
Package Dimensions

正式發行圖面

SCALE	mm
2:1	0 30
SHEET	THIRD ANGLE PROJECTION
1 of 1	FOR ISSUE
ENG	Angus Chang 2018/05/11
APPR	Rita Chang 2018/05/11 UTC Doc.Control Center