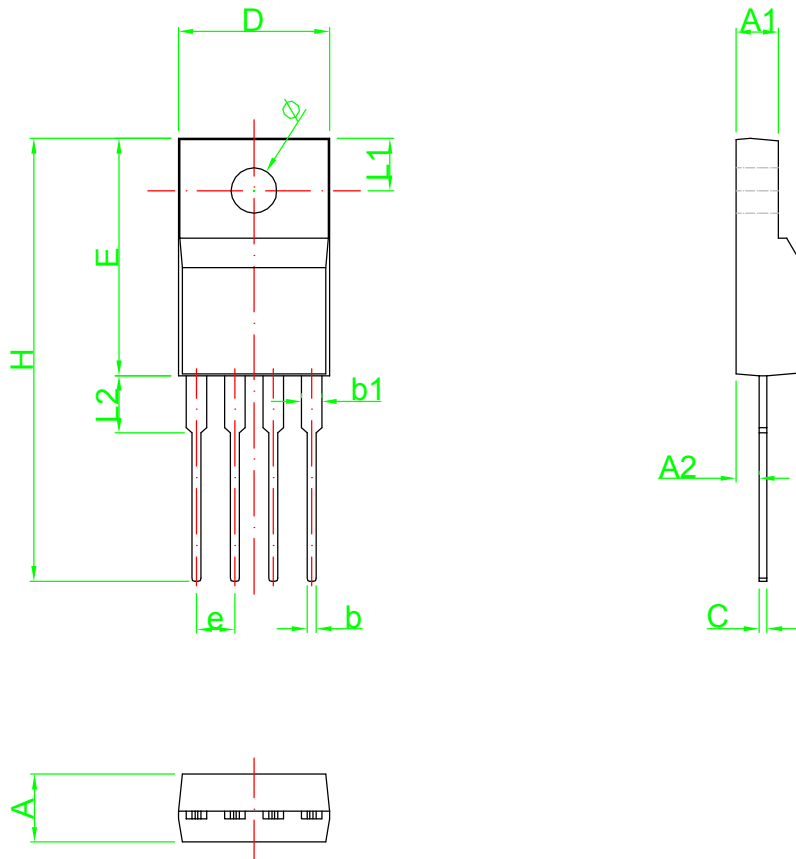


禁用RoHS / REACH/SS00259 之有害物質



| Symbol | Dimensions In Millimeters | | Dimensions In Inches | |
|--------|---------------------------|-------|----------------------|-------|
| | Min | Max | Min | Max |
| A | 4.42 | 4.62 | 0.174 | 0.182 |
| A1 | 2.74 | 2.94 | 0.108 | 0.116 |
| A2 | 1.52 | 1.58 | 0.060 | 0.062 |
| b | 0.50 | 0.70 | 0.020 | 0.028 |
| b1 | 1.10 | 1.40 | 0.043 | 0.055 |
| C | 0.40 | 0.60 | 0.016 | 0.024 |
| D | 9.90 | 10.20 | 0.390 | 0.402 |
| e | 2.54TYP | | 0.100TYP | |
| E | 15.63 | 15.83 | 0.615 | 0.623 |
| H | 29.10 | 29.60 | 1.146 | 1.165 |
| L1 | 3.36 | 3.56 | 0.132 | 0.140 |
| L2 | 3.69 | 3.89 | 0.145 | 0.153 |
| ϕ | 2.95 | 3.05 | 0.116 | 0.120 |



友順科技股份有限公司
UNISONIC TECHNOLOGIES CO.,LTD

正式發行圖面

| | |
|------------------------------|------------------------|
| SCALE | mm |
| 2: 發行 | 0 30 |
| SHEET FOR ISSUE | THIRD ANGLE PROJECTION |
| 1 of 1 | Aug 31 2020 |
| ENG. 文件管理 中心 | 2020/08/21 |
| APPR. UTC Doc Control Center | Kevin Lee 2020/08/21 |

REV: A1
PART NO: TO-220F-4
DWG NO: DIM-TO-220F-4-000-A1

TITLE
TO-220F-4
Package Dimensions