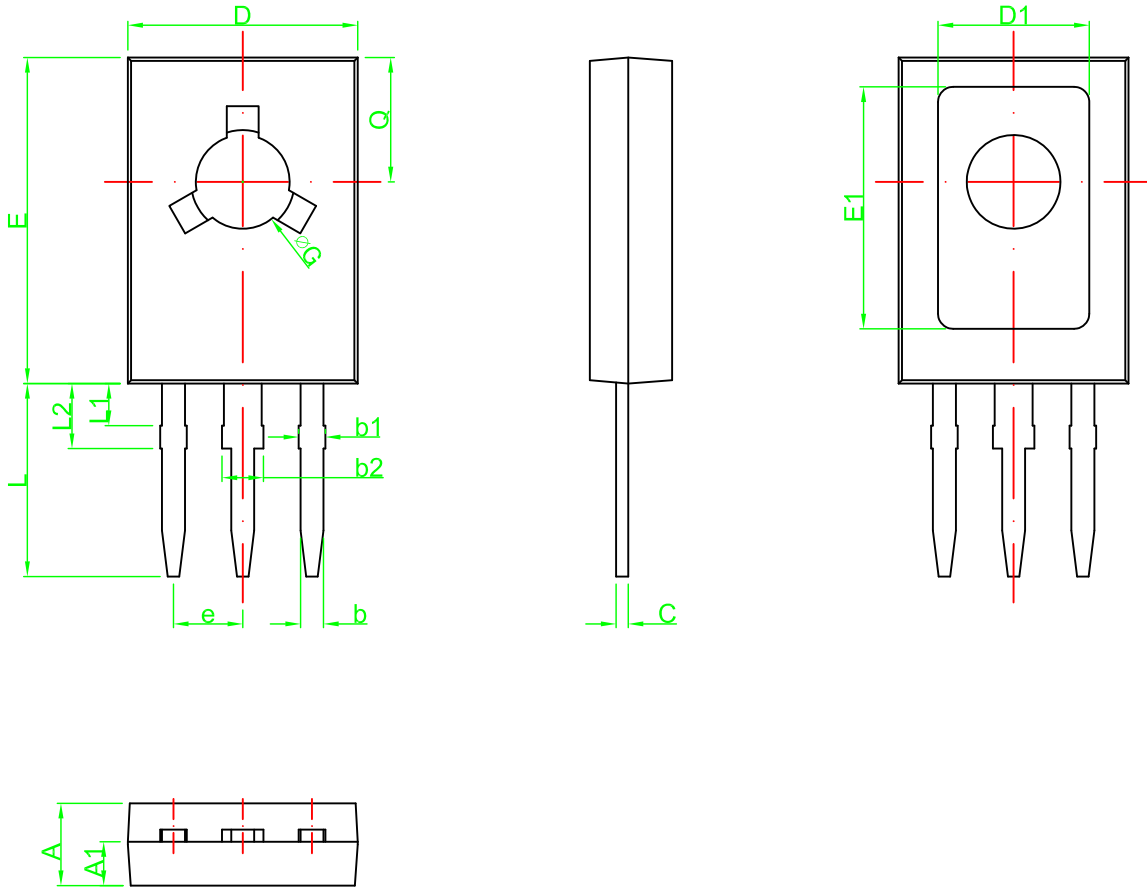


禁用RoHS / REACH/SS00259 之有害物質



Symbol	Dimensions in Millimeters		Dimensions in Inches	
	Mn	Max	Mn	Max
A	2.50	2.90	0.098	0.114
A1	1.100	1.40	0.043	0.055
b	0.66	0.86	0.026	0.034
b1	0.70	1.10	0.028	0.043
b2	1.27	1.47	0.050	0.058
c	0.30	0.50	0.012	0.020
D	7.50	7.80	0.295	0.307
D1	4.80	5.20	0.189	0.205
E	10.60	11.00	0.417	0.433
E1	7.80	8.20	0.307	0.323
e	2.29 TYP		0.090 TYP	
Q	3.90	4.10	0.154	0.161
L1	1.29	1.49	0.051	0.059
L2	2.05	2.25	0.081	0.089
L	6.28	6.50	0.247	0.256
G	3.00	3.20	0.118	0.126

Refer to JEDEC NO. TO-126



友順科技股份有限公司  
UNISONIC TECHNOLOGIES CO.,LTD

正式發行圖面

SCALE	mm
1:發行	0 30
SHEET	THIRD ANGLE PROJECTION
of	SEP 11 2012
ENG.	Naomi Lin 2012/9/5
APPR.	Henry Hsiao 2012/9/5

REV: A0
PART NO: TO-126S
DWG NO: DIM-TO-126S-000-A0

TITLE  
TO-126S  
Package Dimensions