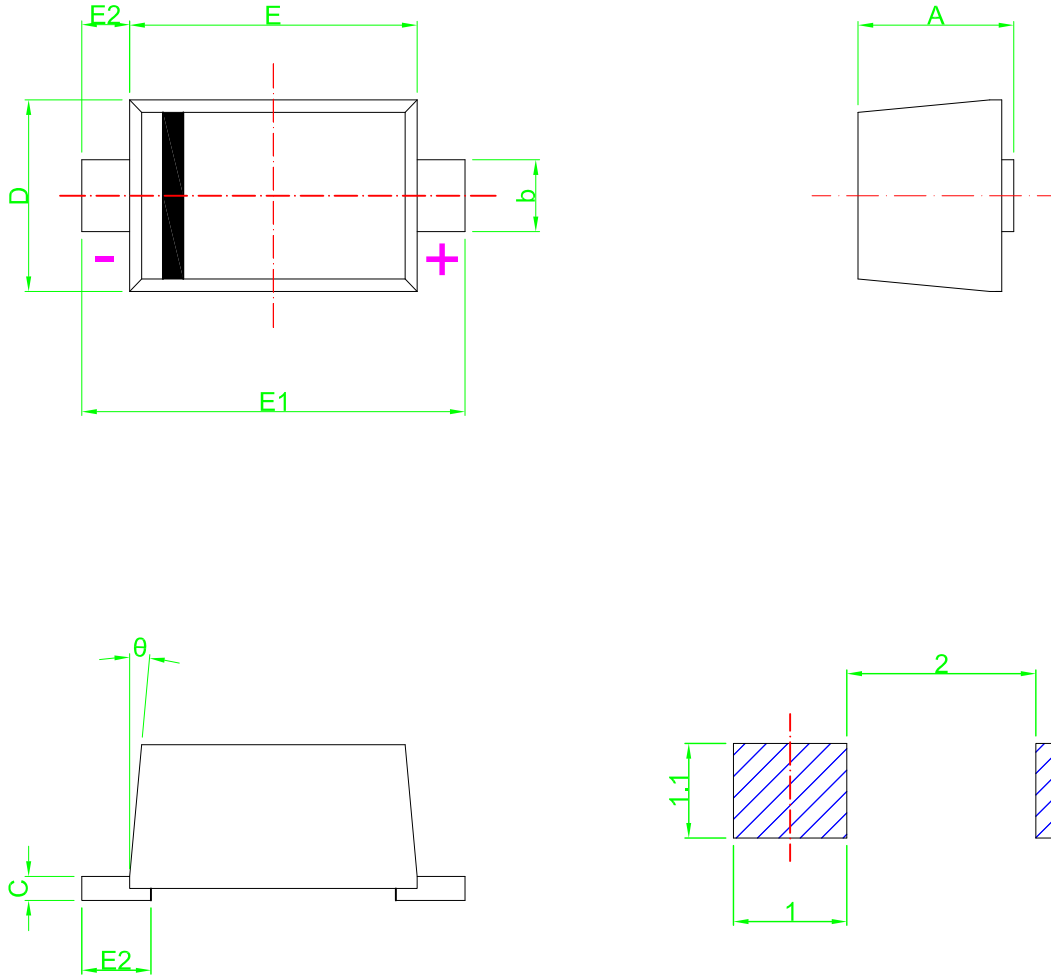


禁用RoHS / REACH/SS00259 之有害物質



Recommended Land Pattern

Symbol	Dimensions in Millimeters		Dimensions in Inches	
	Min	Max	Min	Max
A	0.90	1.000	0.035	0.039
b	0.75	0.95	0.030	0.037
C	0.18	0.22	0.007	0.009
D	1.60	2.00	0.063	0.079
E	2.60	3.00	0.102	0.118
E1	3.50	3.90	0.138	0.154
E2	0.8 Typ.		0.32 Typ.	
θ	0°	8°	0°	8°



友順科技股份有限公司
UNISONIC TECHNOLOGIES CO.,LTD

正式發行圖面

SCALE	mm
FRE	0 30
SHEET	THIRD ANGLE PROJECTION
of	Mar 04 2016
ENG.	Angus Chang 2016/03/03
APPR.	UTC Doc Control Center Kelvin Lee 2016/03/04

REV: A0
PART NO: SOD-123S
DWG NO: DIM-SOD-123S-007-A0

TITLE
SOD-123S
Package Dimensions