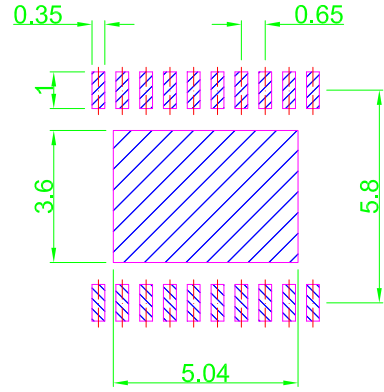
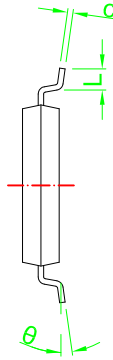
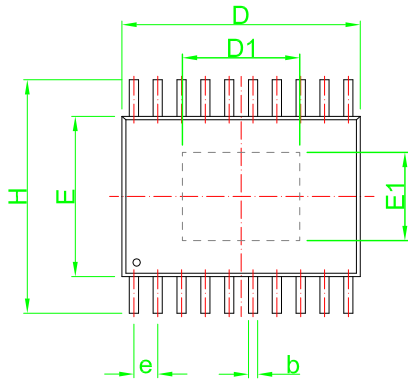
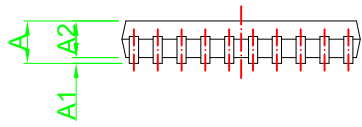


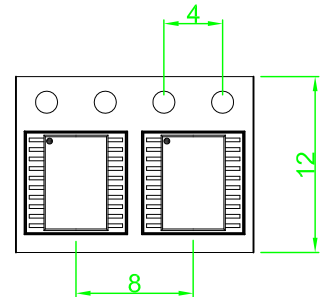
禁用RoHS / REACH/SS00259 之有害物質



Recommended Land Pattern



Symbol	Dimensions in Millimeters		Dimensions in Inches	
	Min	Max	Min	Max
A	---	1.20	---	0.047
A1	0.00	0.15	0.000	0.006
A2	0.80	1.05	0.031	0.041
b	0.19	0.30	0.007	0.012
c	0.09	0.20	0.004	0.008
D	6.40	6.60	0.252	0.260
D1	4.20 REF		0.165 REF	
E	4.30	4.50	0.169	0.177
E1	3.00 REF		0.118 REF	
H	6.20	6.60	0.244	0.260
e	0.65 TYP		0.026 TYP	
L	0.45	0.75	0.018	0.030
θ	0°	8°	0°	8°



Q'ty / Reel	Reel Size
3000pcs	13"

Refer to JEDEC NO.MO-153 ACT



友順科技股份有限公司
UNISONIC TECHNOLOGIES CO.,LTD

正式發行圖面	
SCALE	mm
5:1	0 30
SHEET	THIRD ANGLE PROJECTION
1 of 1	FOR ISSUE
ENG	James Wu 2023/7/19
APPR	Ken Huang 2023/7/31
文件管理中心 UTC Doc Control Center	

REV:A3
PART NO:HTSSOP-20
DWG NO:DIM-HTSSOP-20-000-A3

TITLE
HTSSOP-20
Package Dimensions