

900V 4A 1.85Ω N-ch Power MOSFET

Description

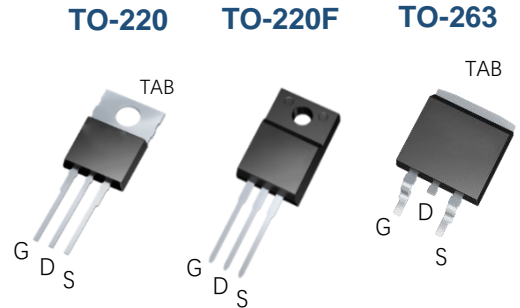
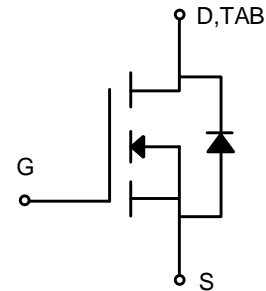
WMOS™ D1 is Wayon's 1st generation VDMOS family that is dramatic reduction in on-resistance and ultra-low gate charge for applications requiring high power density and high efficiency. And it is very robust and RoHS compliant.

Features

- Typ. $R_{DS(on)}=1.85\Omega@V_{GS}=10V$
- 100% avalanche tested
- Pb-free, Halogen free

Applications

- SMPS
- Charger
- DC-DC



Absolute Maximum Ratings (T_c=25°C)

Parameter	Symbol	WMK	WML	WMM	Unit
Drain-source voltage	V _{DSS}		900		V
Gate-source voltage	V _{GS}		±30		V
Continuous drain current	I _D		4		A
Pulsed drain current ¹	I _{DM}		16		A
Avalanche energy, single pulse ²	E _{AS}		111		mJ
Power dissipation	P _D	63	45	63	W
Derate above 25°C		0.5	0.4	0.5	W/°C
Operating junction temperature	T _j		-55~150		°C
Storage temperature	T _{stg}		-55~150		°C
Continuous diode forward current	I _S		4		A
Diode pulse current	I _{Spulse}		16		A

Thermal Characteristic

Thermal resistance, junction-to-case	R _{θJC}	2	2.8	2	°C/W
Thermal resistance, junction-to-ambient	R _{θJA}	62.5	62.5	62.5	°C/W

Electrical Characteristics of MOSFET

				Min.	Typ.	Max.	
Drain-source break down voltage	BV_{DSS}	$I_D=250\mu A, V_{GS}=0V$	$T_C=25^\circ C$	900	-	-	V
Gate threshold voltage	$V_{GS(th)}$	$I_D=250\mu A, V_{DS}=V_{GS}$	$T_J=25^\circ C$	3.0	3.9	4.5	V
Drain-source leakage current	I_{DSS}	$V_{DS}=900V, V_{GS}=0V$	$T_J=25^\circ C$	-	-	1	μA
		$V_{DS}=720V, V_{GS}=0V$	$T_J=125^\circ C$	-	-	400	μA
Gate-source leakage current,forward	I_{GSSF}	$V_{DS}=0V, V_{GS}=30V$	$T_J=25^\circ C$	-	-	100	nA
Gate-source leakage current,reverse	I_{GSSR}	$V_{DS}=0V, V_{GS}=-30V$	$T_J=25^\circ C$	-	-	-100	nA
Drain-source on-state resistance ³	$R_{DS(ON)}$	$V_{GS}=10V, I_D=2A$	$T_J=25^\circ C$	-	1.85	2.3	Ω
Transconductance ³	G_{fs}	$V_{DS}=20V$	$T_J=25^\circ C$	-	6.7	-	S

Dynamic Characteristics of MOSFET ($T_C=25^\circ C$)

				Min.	Typ.	Max.	
Input capacitance	C_{iss}	$f=1MHz, V_{DS}=25V, V_{GS}=0V$		-	1409	-	pF
Output capacitance	C_{oss}			-	116	-	pF
Reverse transfer capacitance	C_{rss}			-	6.2	-	pF
Gate to source charge	Q_{gs}	$V_{DD}=450V$		-	12	-	nC
Gate to drain charge	Q_{gd}	$I_D=4A$		-	9	-	nC
Total gate charge	Q_g	$V_{GS}=0$ to 10V		-	34	-	nC

Switching Characteristics of MOSFET ($T_C=25^\circ C$)

				Min.	Typ.	Max.	
Turn-on delay time	$t_{d on}$	$V_{DS}=450V, I_D=4A, R_G=25\Omega, V_{GS}=0$ to 10V		-	29	-	ns
Rise time	t_r			-	55	-	ns
Turn-off delay time	$t_{d off}$			-	63	-	ns
Fall time	t_f			-	37	-	ns

Characteristics of Body Diode ($T_C=25^\circ C$)

				Min.	Typ.	Max.	
Forward voltage	V_{SD}	$I_{SD}=4A, V_{GS}=0V$		-	-	1.4	V
Reverse recovery time	t_{rr}	$V_{DS}=450V, I_S=4A, V_{GS}=0V, di/dt=100A/\mu s$		-	360	-	ns
Reverse recovery current	I_{rr}			-	16	-	A
Recovery charge	Q_{rr}			-	2.9	-	μC

Notes:

1. Repetitive rating, pulse width limited by junction temperature $T_{J(MAX)}=150^\circ C$.
2. The EAS data shows Max. rating . The test condition is $V_{DD}=50V, V_{GS}=10V, L=10mH, I_{AS}=4.7A, T_C=25^\circ C$.
3. The data tested by pulsed , pulse width $\leq 300\mu s$, duty cycle $\leq 2\%$.

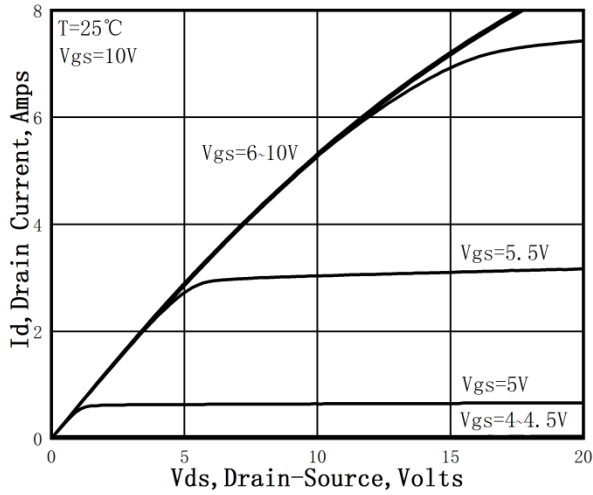


Figure 1. On-Region Characteristics

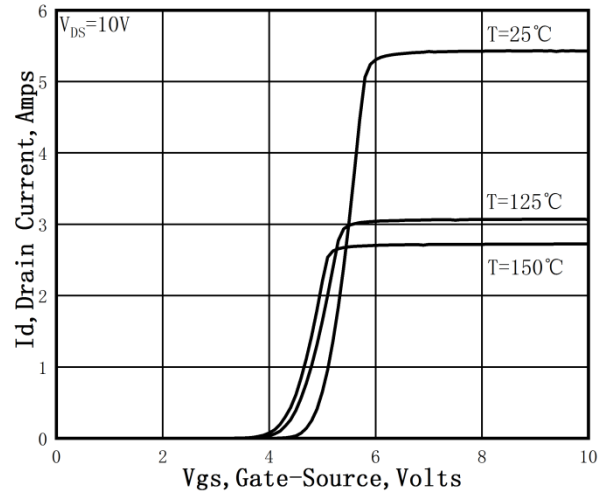


Figure 2. Transfer Characteristics

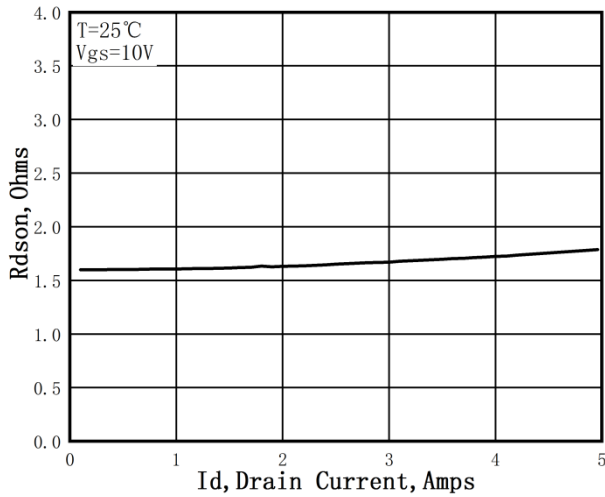


Figure 3. Static Drain-Source On Resistance

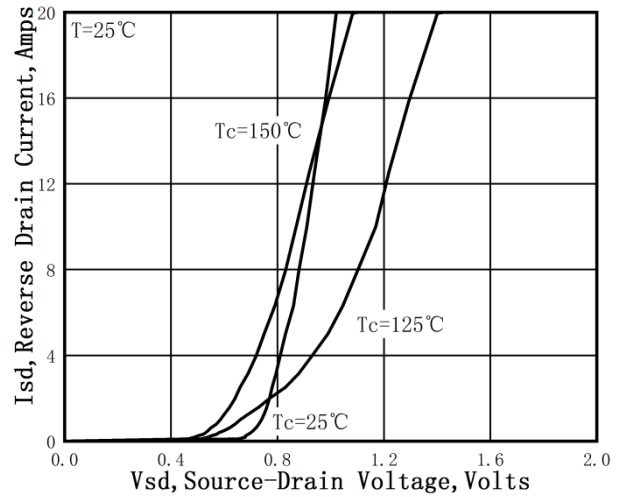


Figure 4. Typical Body Diode Transfer Characteristics

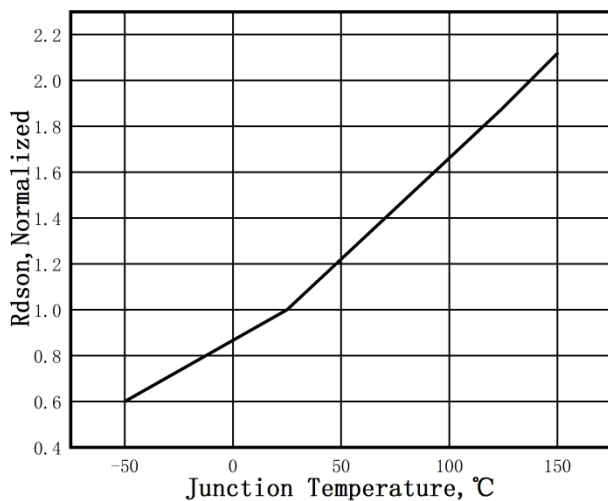


Figure 5. Normalized $R_{DS(on)}$ vs. Temperature

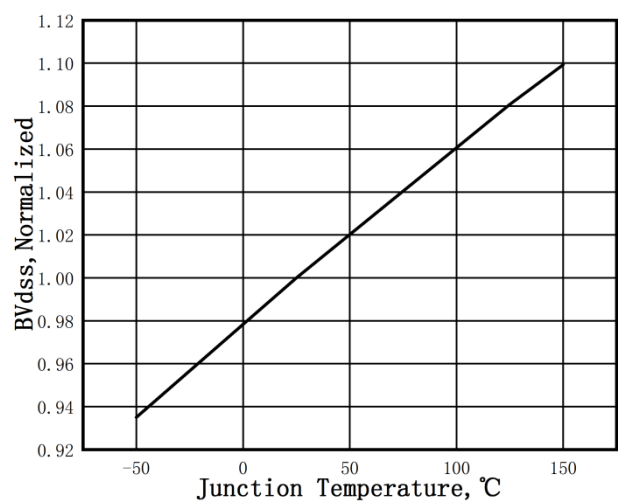


Figure 6. Normalized BV_{DSS} vs. Temperature

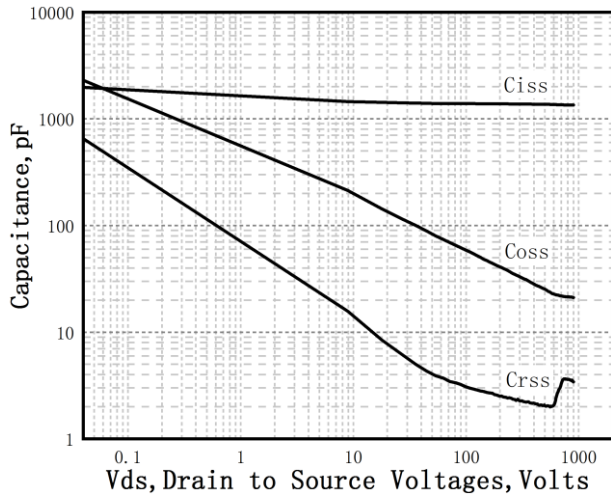


Figure 7. Capacitance Characteristics

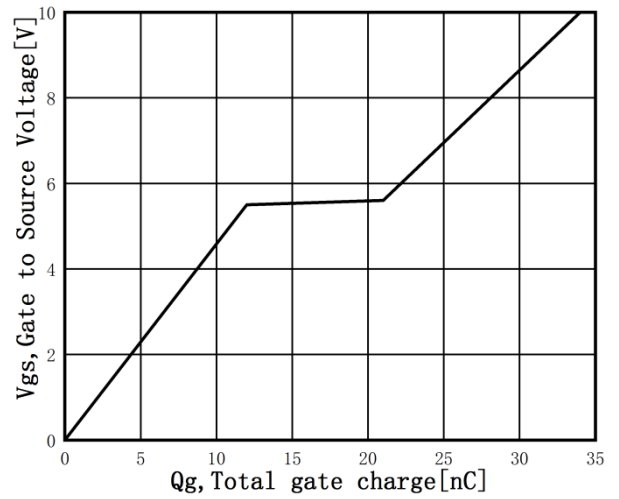


Figure 8. Gate Charge Characteristics

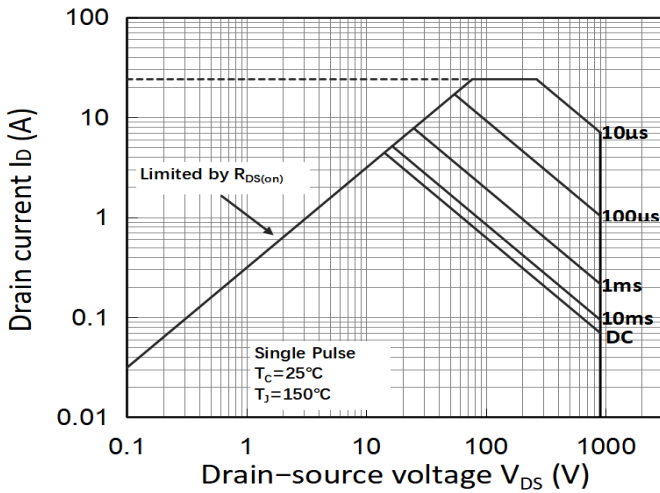


Figure 9. Maximum Safe Operating Area (TO-220/TO-263)

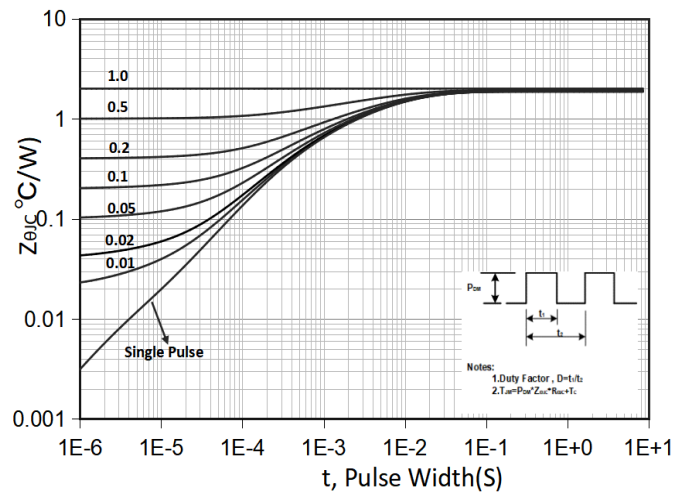


Figure 10. Transient Thermal Response Curve (TO-220/TO-263)

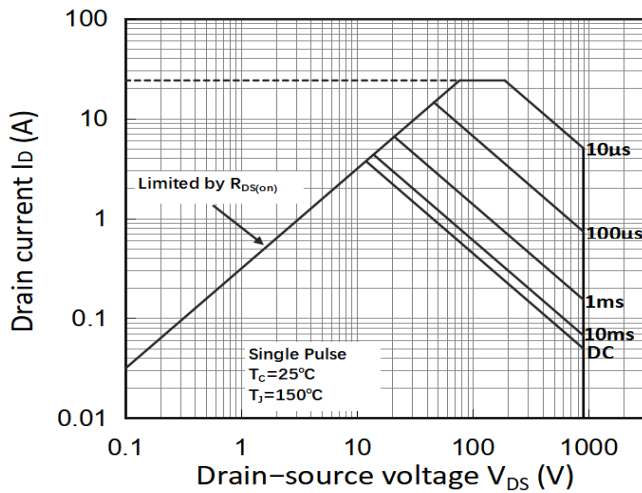


Figure 11. Maximum Safe Operating Area (TO-220F)

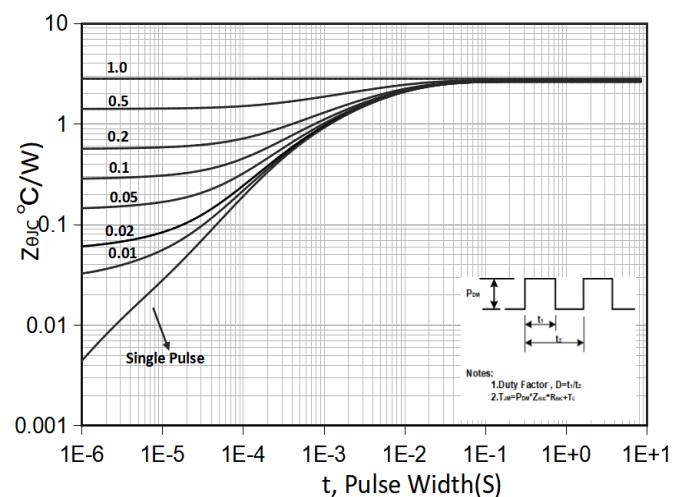
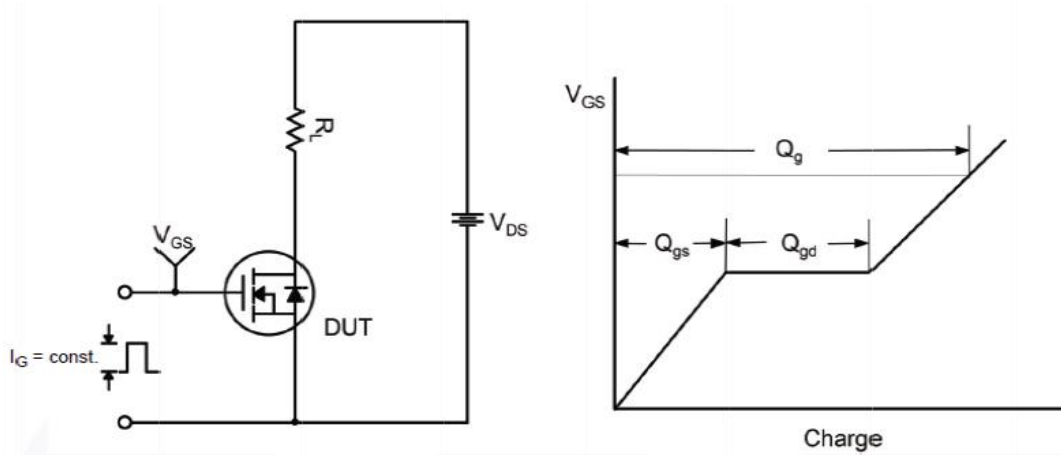
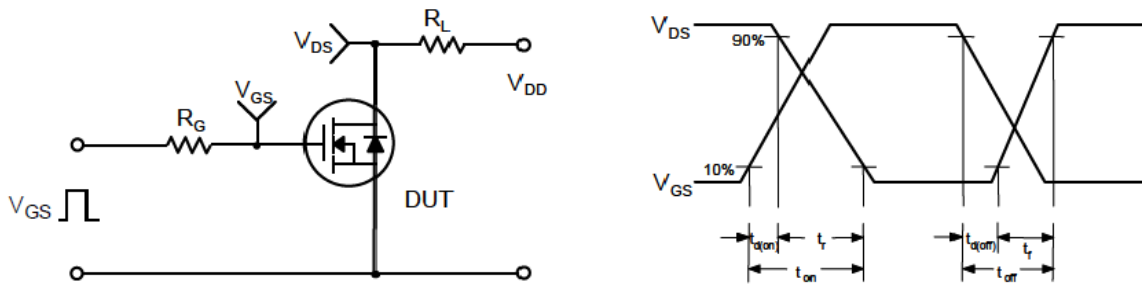


Figure 12. Transient Thermal Response Curve (TO-220F)

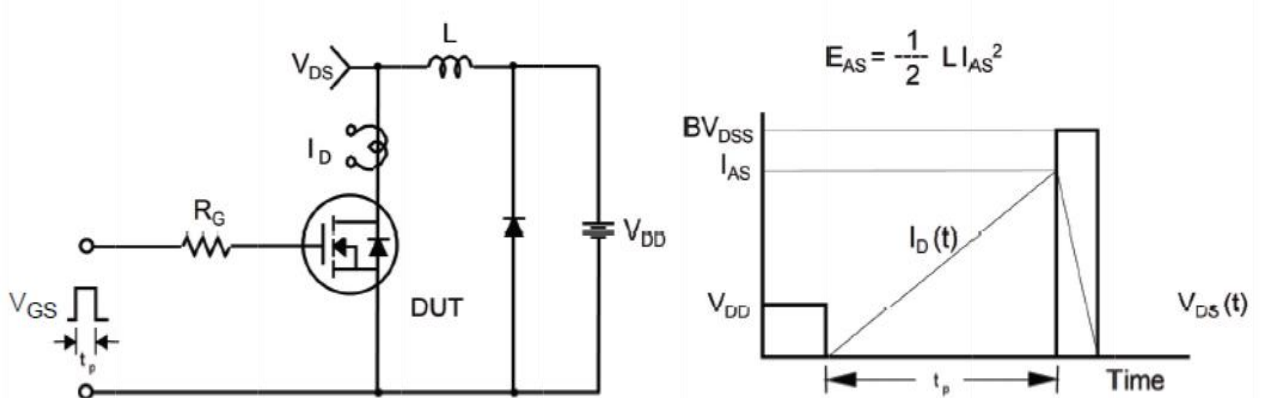
Gate Charge Test Circuit & Waveform



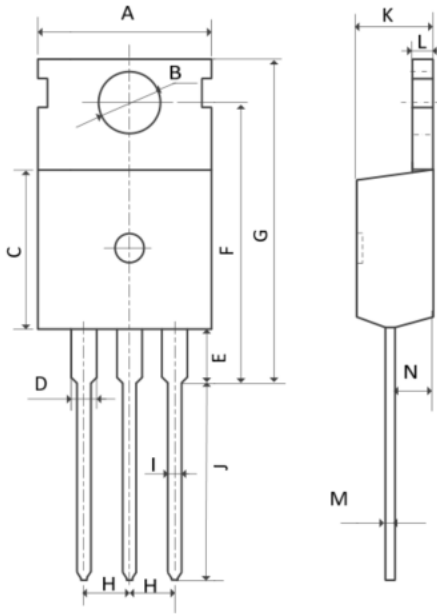
Switching Test Circuit & Waveforms



Unclamped Inductive Switching Test Circuit & Waveforms



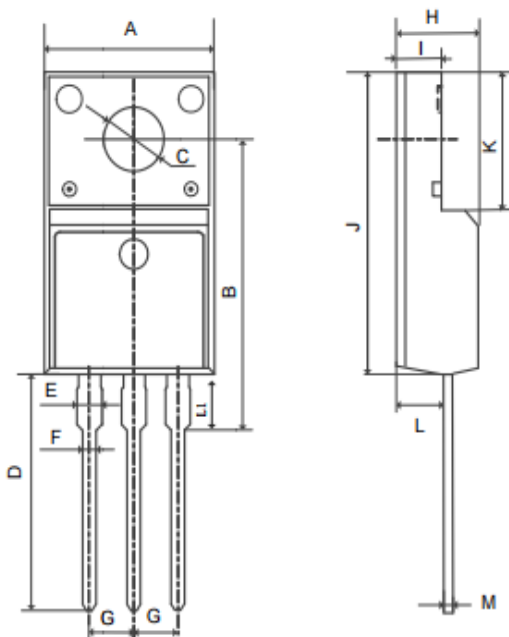
Mechanical Dimensions for TO-220



COMMON DIMENSIONS

SYMBOL	MM	
	MIN	MAX
A	9.70	10.20
B	3.40	3.80
C	8.90	9.40
D	1.17	1.47
E	2.60	3.40
F	15.10	16.70
G	19.55MAX	
H	2.54REF	
I	0.70	0.95
J	9.35	11.00
K	4.30	4.77
L	1.20	1.45
M	0.40	0.65
N	2.20	2.60

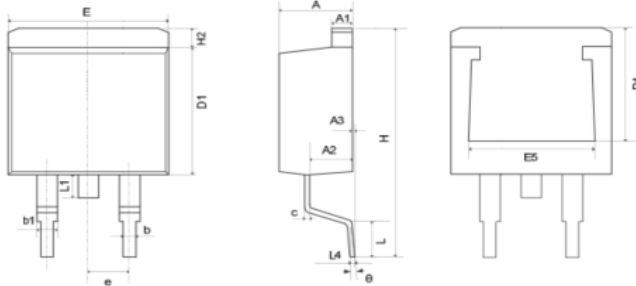
Mechanical Dimensions for TO-220F



COMMON DIMENSIONS

SYMBOL	MM	
	MIN	MAX
A	9.96	10.36
B	15.10	16.10
C	3.03	3.38
D	12.64	13.28
E	1.18	1.58
F	0.70	0.95
G	2.54REF	
H	4.50	4.90
I	2.34	2.74
J	15.57	16.17
K	6.70REF	
L	2.56	2.96
M	0.40	0.65
L1	2.85	3.45

Mechanical Dimensions for TO-263



COMMON DIMENSIONS

SYMBOL	MM	
	MIN	MAX
A	4.37	4.77
A1	1.22	1.42
A2	2.49	2.89
b	0.70	0.96
b1	1.17	1.47
c	0.30	0.53
D1	8.50	8.90
D4	6.60	—
E	9.86	10.36
E5	7.06	—
e	2.54BSC	
H	14.70	15.50
H2	1.07	1.47
L	2.00	2.60
L1	1.40	1.70
L4	0.25BSC	
θ	0°	9°

Ordering Information

Part	Package	Marking	Packing method
WMK4N90D1B	TO-220	WMK4N90D1B	Tube
WML4N90D1B	TO-220F	WML4N90D1B	Tube
WMM4N90D1B	TO-263	WMM4N90D1B	Tape and reel

Contact Information

No.1001, Shiwan(7) Road, Pudong District, Shanghai, P.R.China.201202

Tel: 86-21-50310888 Fax: 86-21-50757680 Email: market@way-on.com

WAYON website: <http://www.way-on.com>

For additional information, please contact your local Sales Representative.

 **WAYON**® is registered trademarks of Wayon Corporation.

Disclaimer

WAYON reserves the right to make changes without further notice to any Products herein to improve reliability, function, or design. The Products are not designed for use in hostile environments, including, without limitation, aircraft, nuclear power generation, medical appliances, and devices or systems in which malfunction of any Product can reasonably be expected to result in a personal injury. The information given in this document shall in no event be regarded as a guarantee of conditions or characteristics. WAYON does not assume any liability for infringement of patents, copyrights, or other intellectual property rights of third parties by or arising from the use of Products or technical information described in this document.