

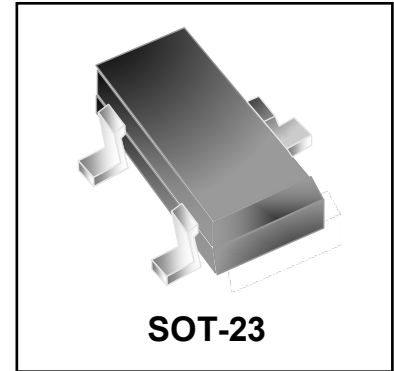
## P-Channel Enhancement MOSFET

### Features

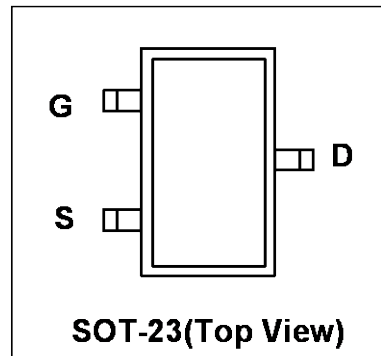
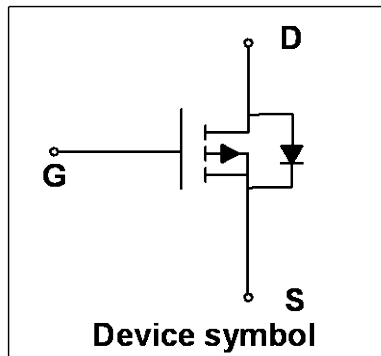
- Way-on Small Signal MOSFETs
- $V_{DS} = -40\text{ V}$ ,  $I_D = -5\text{ A}$   
 $R_{DS(on)} < 85\text{ m}\Omega$  @  $V_{GS} = -10\text{ V}$   
 $R_{DS(on)} < 125\text{ m}\Omega$  @  $V_{GS} = -4.5\text{ V}$
- Trench LV MOSFET Technology

### Mechanical Characteristics

- SOT-23 Package
- Marking : Making Code
- RoHS Compliant



### Schematic & PIN Configuration



### Absolute Maximum Rating ( $T_A = 25^\circ\text{C}$ unless otherwise noted)

Parameter	Symbol	Value	Units
Drain-Source Voltage	$V_{DS}$	-40	V
Gate-Source Voltage	$V_{GS}$	$\pm 20$	V
Continuous Drain Current	$I_D$	-5	A
$T_A = 25^\circ\text{C}$			
Pulsed Drain Current <sup>1</sup>	$I_{DM}$	-20	A
Power Dissipation	$P_D$	1.2	W
$T_A = 25^\circ\text{C}$			
Operating Junction and Storage Temperature Range	$T_J, T_{STG}$	-55 to 150	$^\circ\text{C}$

### Thermal Characteristics

Parameter	Symbol	Value	Units
Thermal Resistance from Junction to Ambient <sup>2</sup>	$R_{\theta JA}$	104	$^\circ\text{C/W}$

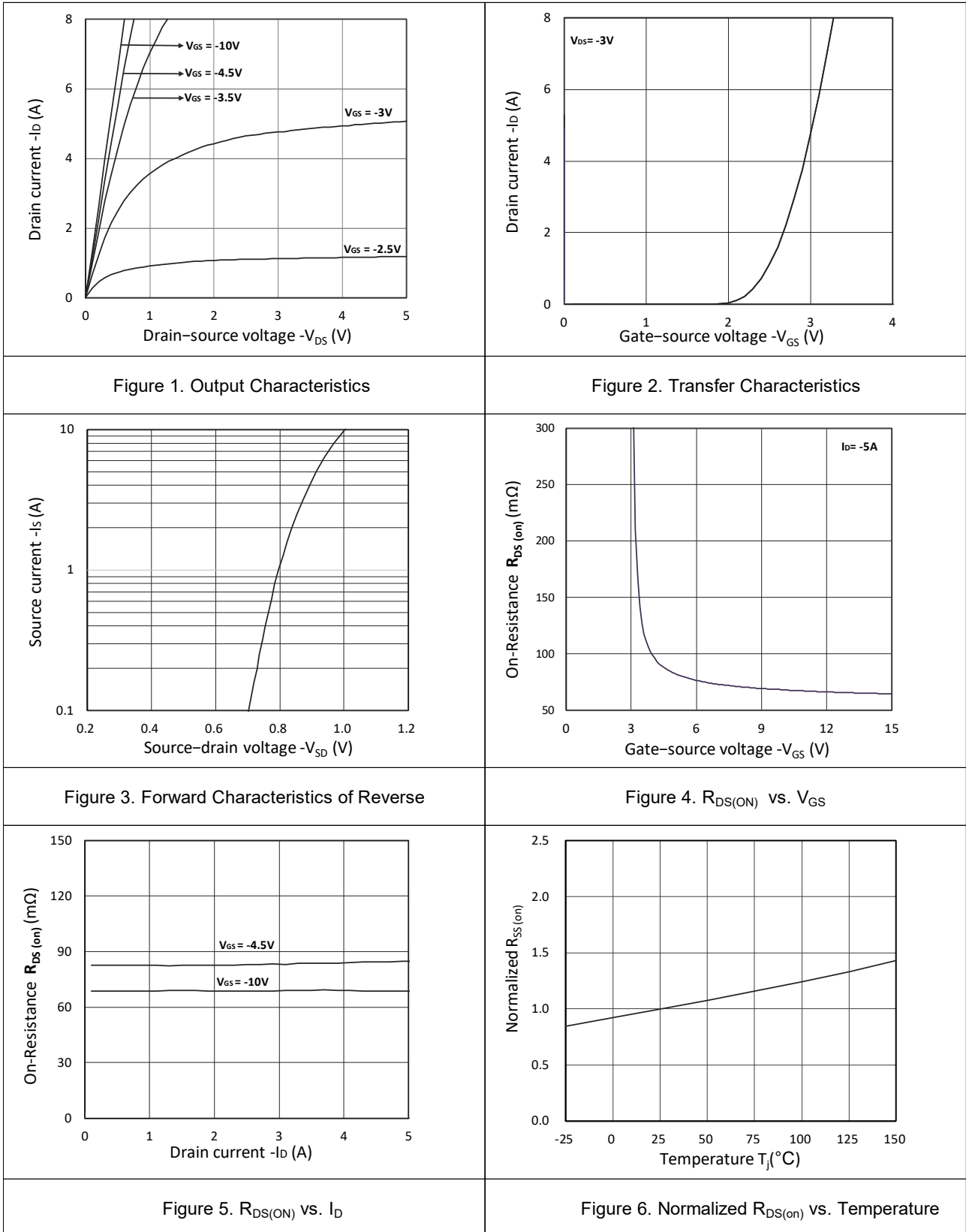
**Electrical Characteristics (T<sub>J</sub>=25°C unless otherwise noted)**

Parameter	Symbol	Conditions	Min.	Typ.	Max.	Units
<b>Static Characteristics</b>						
Drain-Source Breakdown Voltage	<b>V<sub>(BR)DSS</sub></b>	V <sub>GS</sub> = 0V, I <sub>D</sub> = -250μA	-40	-	-	V
Zero Gate Voltage Drain Current	<b>I<sub>DSS</sub></b>	V <sub>DS</sub> = -40V, V <sub>GS</sub> = 0V	-	-	-1	μA
Gate-Body Leakage	<b>I<sub>GSS</sub></b>	V <sub>DS</sub> = 0V, V <sub>GS</sub> = ±20V	-	-	±100	nA
Gate-Threshold Voltage	<b>V<sub>GS(th)</sub></b>	V <sub>DS</sub> = V <sub>GS</sub> , I <sub>D</sub> = -250μA	-1.2	-1.5	-2.5	V
Drain-Source on-Resistance <sup>3</sup>	<b>R<sub>DS(on)</sub></b>	V <sub>GS</sub> = -10V, I <sub>D</sub> = -5A	-	68	85	mΩ
		V <sub>GS</sub> = -4.5V, I <sub>D</sub> = -4A	-	84	125	
<b>Dynamic Characteristics<sup>4</sup></b>						
Input Capacitance	<b>C<sub>iss</sub></b>	V <sub>GS</sub> = 0V, V <sub>DS</sub> = -20V, f=1.0MHz	-	553	-	pF
Output Capacitance	<b>C<sub>oss</sub></b>		-	50	-	
Reverse Transfer Capacitance	<b>C<sub>rss</sub></b>		-	42	-	
<b>Switching Characteristics<sup>4</sup></b>						
Total Gate Charge	<b>Q<sub>g</sub></b>	V <sub>GS</sub> = -10V, V <sub>DS</sub> = -20V, I <sub>D</sub> = -5A	-	11.8	-	nC
Gate-Source Charge	<b>Q<sub>gs</sub></b>		-	2.2	-	
Gate-Drain Charge	<b>Q<sub>gd</sub></b>		-	3	-	
Turn-on Delay Time	<b>t<sub>d(on)</sub></b>	V <sub>DS</sub> = -20V, V <sub>GS</sub> = -10V R <sub>L</sub> = 2.5Ω, R <sub>G</sub> = 3Ω	-	7	-	ns
Rise Time	<b>t<sub>r</sub></b>		-	6.5	-	
Turn-off Delay Time	<b>t<sub>d(off)</sub></b>		-	24	-	
Fall Time	<b>t<sub>f</sub></b>		-	7.8	-	
<b>Drain-Source Body Diode Characteristics</b>						
Body Diode voltage <sup>3</sup>	<b>V<sub>DS</sub></b>	I <sub>S</sub> = -5A, V <sub>GS</sub> =0V	-	-	-1.2	V
Continuous Source Current	<b>I<sub>S</sub></b>		-	-	-5	A

**Notes:**

1. Repetitive rating, pulse width limited by junction temperature T<sub>J(MAX)</sub>=150°C.
2. The data tested by surface mounted on a 1 inch<sup>2</sup> FR-4 board with 20Z copper, The value in any given application depends on the user's specific board design.
3. Pulse Test: Pulse width≤300μs, duty cycle≤2%.
4. This value is guaranteed by design hence it is not included in the production test.

### Typical Characteristics



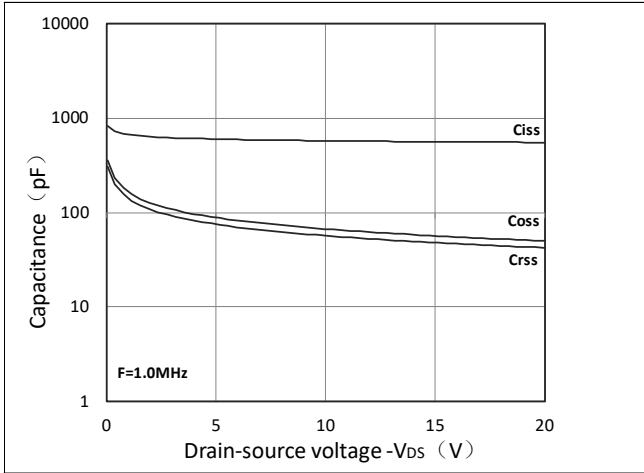


Figure 7. Capacitance Characteristics

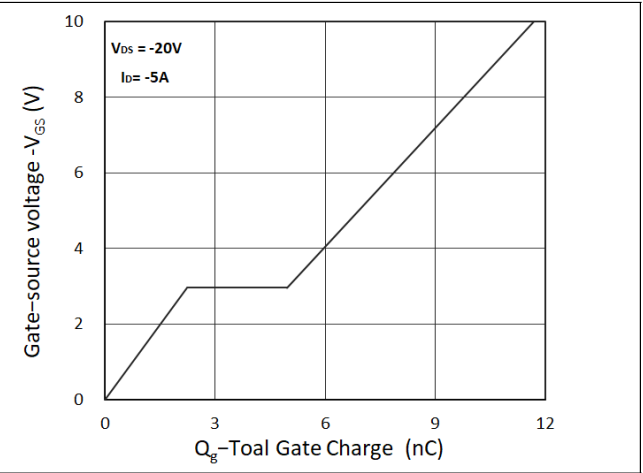


Figure 8. Gate Charge Characteristics

### Outline Drawing – SOT-23

#### PACKAGE OUTLINE

**SOT-23**

SYMBOL	MILLIMETER		INCHES	
	MIN	MAX	MIN	MAX
A	0.90	1.15	0.035	0.045
A1	0.00	0.10	0.000	0.004
b	0.30	0.50	0.012	0.020
c	0.08	0.15	0.003	0.006
D	2.80	3.00	0.110	0.118
E	2.25	2.55	0.089	0.100
E1	1.20	1.40	0.047	0.055
e	0.95 BSC		0.037BSC	
e1	1.80	2.00	0.071	0.079
L	0.55REF		0.022REF	
$\theta$	0°	8°	0°	8°

DIMENSIONS		
DIM	INCHES	MILLIMETERS
M	0.080	2.02
C	0.032	0.80
Z	0.111	2.82
e	0.037 BSC	0.95 BSC
e1	0.075 BSC	1.90 BSC
b	0.032	0.80

#### Notes

- Dimensioning and tolerances per ANSI Y14.5M, 1985.
- Controlling Dimension: Inches
- Pin 3 is the cathode (Unidirectional Only).
- Dimensions are exclusive of mold flash and metal burrs.

### Marking Codes

Part Number	WM04P50M
Marking Code	

### Package Information

Qty: 3k/Reel

### CONTACT INFORMATION

No.1001, Shiwan (7) Road, Pudong District, Shanghai, P.R.China.201207  
 Tel: 86-21-68969993 Fax: 86-21-50757680 Email: [market@way-on.com](mailto:market@way-on.com)  
 WAYON website: <http://www.way-on.com>

For additional information, please contact your local Sales Representative.

**WAYON**® is registered trademark of Wayon Corporation.

Specifications are subject to change without notice.  
 The device characteristics and parameters in this data sheet can and do vary in different applications and actual device performance may vary over time.  
 Users should verify actual device performance in their specific applications.