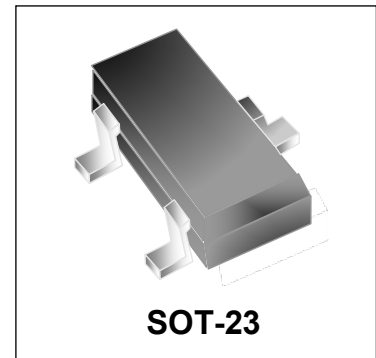


Features

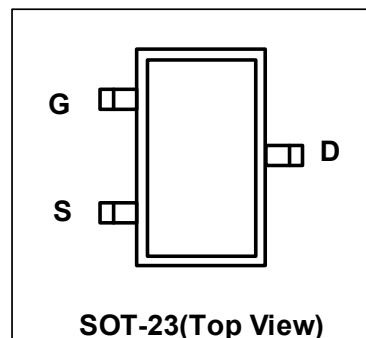
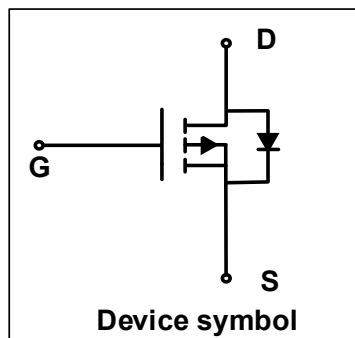
- Way-on Small Signal MOSFETs
- $V_{DS} = -12V$, $I_D = -4.1A$
 $R_{DS(on)} < 45m\Omega @ V_{GS} = -4.5V$
 $R_{DS(on)} < 60m\Omega @ V_{GS} = -2.5V$
- Trench LV MOSFET Technology

Mechanical Characteristics

- SOT-23 Package
- Marking : Making Code
- RoHS Compliant



Schematic & PIN Configuration



Absolute Maximum Rating ($T_A=25^\circ C$ unless otherwise noted)

Rating	Symbol	Value	Unit
Drain-Source Voltage	V_{DS}	-12	V
Gate-Source Voltage	V_{GS}	± 8	V
Continuous Drain Current	I_D	-4.1	A
Pulsed Drain Current ¹	I_{DM}	-15	A
Power Dissipation	P_D	1.2	W
Junction and Storage Temperature Range	T_J, T_{STG}	-55 to 150	$^\circ C$

Thermal Characteristics

Rating	Symbol	Value	Unit
Thermal Resistance from Junction to Ambient ²	$R_{\theta JA}$	104	$^\circ C / W$

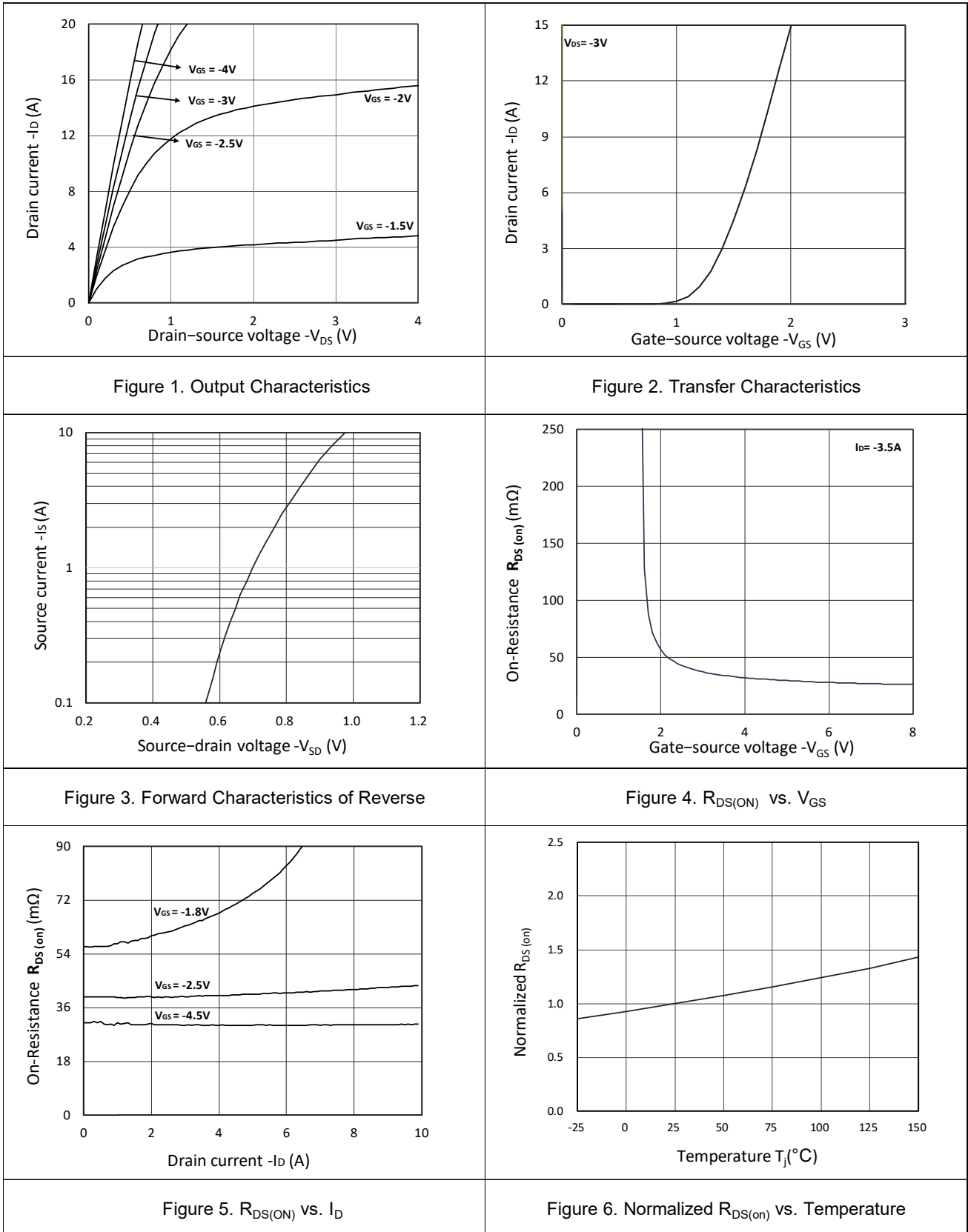
Electrical Characteristics (T_J=25°C unless otherwise noted)

Parameter	Symbol	Test Condition	Min.	Typ.	Max.	Unit
Static Characteristics						
Drain-Source Breakdown Voltage	V _{(BR)DSS}	V _{GS} = 0V, I _D = -250μA	-12	-	-	V
Gate-body Leakage Current	I _{GSS}	V _{DS} = 0V, V _{GS} = ±8V	-	-	±100	nA
Zero Gate Voltage Drain Current	I _{DSS}	V _{DS} = -12V, V _{GS} = 0V	-	-	-1	μA
Gate Threshold Voltage	V _{GS(th)}	V _{GS} = V _{DS} , I _D = -250 μA	-0.5	-0.7	-0.9	V
Drain Source on-Resistance ³	R _{DS(on)}	V _{GS} = -4.5V, I _D = -3.5A	-	30	45	mΩ
		V _{GS} = -2.5V, I _D = -3.0A	-	40	60	
		V _{GS} = -1.8V, I _D = -2.0A	-	60	90	
Dynamic Characteristics⁴						
Input Capacitance	C _{iss}	V _{GS} = 0V, V _{DS} = -6V, f = 1MHz	-	1250	-	pF
Output Capacitance	C _{oss}		-	330	-	
Reverse Transfer Capacitance	C _{rss}		-	300	-	
Switching Characteristics⁴						
Total Gate Charge	Q _g	V _{GS} = -4.5V, V _{DS} = -4V, I _D = -3.5A	-	4.4	-	nC
Gate-Source Charge	Q _{gs}		-	1.3	-	
Gate-Drain Charge	Q _{gd}		-	1.5	-	
Turn-On Delay Time	t _{d(on)}	V _{GS} = -4.5V, V _{DD} = -4V, R _g = 3Ω, I _D = -3.5A	-	11.2	-	ns
Rise Time	t _r		-	32.5	-	
Turn-Off Delay Time	t _{d(off)}		-	30	-	
Fall Time	t _f		-	9.5	-	
Drain-Source Diode Characteristics						
Body Diode Voltage ³	V _{SD}	V _{GS} =0V, I _S = -1A	-	-	-1.2	V
Continuous Source Current	I _S		-	-	-4.1	A

Notes:

1. Repetitive rating, pulse width limited by junction temperature T_{J(MAX)}=150°C.
2. The data tested by surface mounted on a 1 inch² FR-4 board with 2OZ copper, The value in any given application depends on the user's specific board design.
3. Pulse Test: Pulse width≤300μs, duty cycle≤2%.
4. This value is guaranteed by design hence it is not included in the production test.

Typical Characteristics



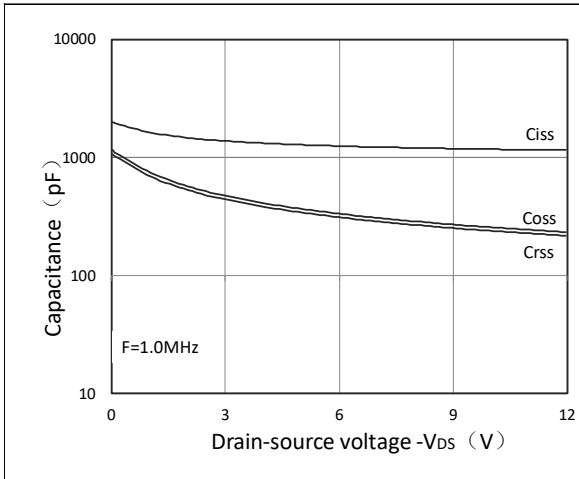


Figure 7. Capacitance Characteristics

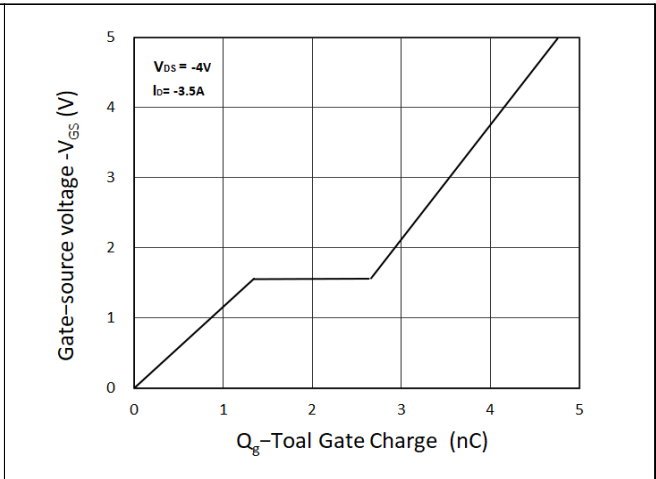


Figure 8. Gate Charge Characteristics

Outline Drawing – SOT-23

PACKAGE OUTLINE

SOT-23

SYMBOL	MILLIMETER		INCHES	
	MIN	MAX	MIN	MAX
A	0.90	1.15	0.035	0.045
A1	0.00	0.10	0.000	0.004
b	0.30	0.50	0.012	0.020
c	0.08	0.15	0.003	0.006
D	2.80	3.00	0.110	0.118
E	2.25	2.55	0.089	0.100
E1	1.20	1.40	0.047	0.055
e	0.95 BSC		0.037 BSC	
e1	1.80	2.00	0.071	0.079
L	0.55REF		0.022REF	
θ	0°	8°	0°	8°

DIMENSIONS		
DIM	INCHES	MILLIMETERS
M	0.080	2.02
C	0.032	0.80
Z	0.111	2.82
e	0.037 BSC	0.95 BSC
e1	0.075 BSC	1.90 BSC
b	0.032	0.80

Notes

1. Dimensioning and tolerances per ANSI Y14.5M, 1985.
2. Controlling Dimension: Inches
3. Pin 3 is the cathode (Unidirectional Only).
4. Dimensions are exclusive of mold flash and metal burrs.

Marking Codes

Part Number	WM01P41M
Marking Code	

Package Information

Qty: 3k/Reel

CONTACT INFORMATION

No.1001, Shiwan (7) Road, Pudong District, Shanghai, P.R.China.201207
 Tel: 86-21-68969993 Fax: 86-21-50757680 Email: market@way-on.com
 WAYON website: <http://www.way-on.com>
 For additional information, please contact your local Sales Representative.

WAYON® is registered trademark of Wayon Corporation.

*Specifications are subject to change without notice.
 The device characteristics and parameters in this data sheet can and do vary in different applications and actual device performance may vary over time.
 Users should verify actual device performance in their specific applications.*