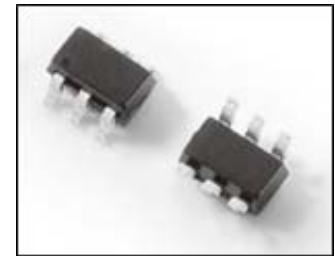




FEATURES:

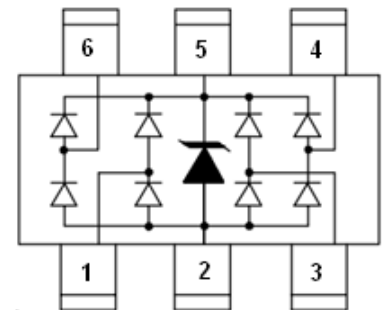
- ✧ 100 watts peak pulse power per line ($t_P=8/20\mu s$)
- ✧ Low capacitance:0.7pF(typ.)(I/O pin to Ground)
- ✧ Low leakage current:0.1 $\mu A@V_{RWM}$ (typ.)
- ✧ Protects four I/O lines
- ✧ Low clamping voltage and operating voltage
- ✧ RoHS compliant
- ✧ Meets MSL level 3
- ✧ Each I/O pin can withstand over 1000 ESD strikes for $\pm 8kV$ contact discharge



SOT23-6L

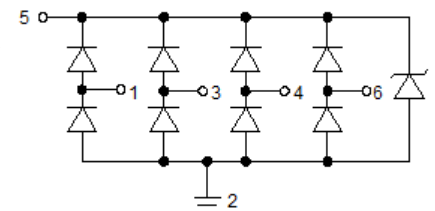
GENERAL DESCRIPTION:

SRV05-4C is a low capacitance Transient Voltage Suppressor (TVS) designed to provide electrostatic discharge(ESD) protection for high-speed data interfaces. With typical capacitance of 0.7pF only,SRV05-4C is designed to protect parasitic-sensitive systems against over-voltage and over-current transient events.



Pin Configuration

SRV05-4C uses small SOT23-6L package. Each SRV05-4C device can protect four high-speed data lines. The combined features of low capacitance, small size and high ESD robustness make SRV05-4C ideal for high-speed data ports and high frequency lines(e.g. HDMI & DVI) applications. The low clamping voltage of the SRV05-4C guarantees a minimum stress on the protected IC.



Circuit Diagram

MAIN APPLICATIONS

- ✧ USB 2.0&3.0 power and data line protection
- ✧ Digital video interface (DVI)
- ✧ Notebook computers
- ✧ Video graphics cards
- ✧ Monitors and flat panel displays
- ✧ 10/100/1000 ethernet
- ✧ SIM ports
- ✧ ATM interfaces

PROTECTION SOLUTION TO MEET

- ✧ IEC61000-4-2 (ESD) $\pm 15\text{kV}$ (air), $\pm 15\text{kV}$ (contact)
- ✧ IEC61000-4-4 (EFT) 40A (5/50ns)
- ✧ IEC61000-4-5 (Lightning) 4A (8/20 μs) (I/O pin to Ground)
- ✧ IEC61000-4-5 (Lightning) 17A (8/20 μs) (V_{CC} pin to Ground)

MECHANICAL CHARACTERISTICS

- ✧ JEDEC SOT23-6L package
- ✧ Molding compound flammability rating: UL 94V-0
- ✧ Quantity per reel: 3, 000pcs
- ✧ Lead finish: lead free
- ✧ Marking code: 0544

ABSOLUTE MAXIMUM RATINGS ($T_A=25^\circ\text{C}$, RH=45%-75%, unless otherwise noted)

Parameter	Symbol	Value	Unit
Peak pulse power dissipation on 8/20 μs waveform	P_{PP}	100	W
ESD per IEC 61000-4-2 (Air) ESD per IEC 61000-4-2 (Contact)	V_{ESD}	+/- 15 +/- 15	kV
Lead soldering temperature	T_L	260 (10 sec.)	$^\circ\text{C}$
Operating junction temperature range	T_J	-55 to +125	$^\circ\text{C}$
Storage temperature range	T_{STG}	-55 to +150	$^\circ\text{C}$

ELECTRICAL CHARACTERISTICS ($T_A=25^\circ\text{C}$)

Parameter	Symbol	Conditions	Min	Typ	Max	Unit
Reverse working voltage	V_{RWM}				5.0	V
Reverse breakdown voltage	V_{BR}	$I_T=1\text{mA}$	6.0			V
Reverse leakage current	I_R	$V_{RWM}=5\text{V}$		0.1	1	μA
Forward voltage	V_F	$I_T=10\text{mA}$		0.8	1.0	V
Clamping voltage (I/O pin to Ground)	V_C	$I_{PP}=1\text{A}$, $t_P=8/20\mu\text{s}$		9.5	12	V
		$I_{PP}=4\text{A}$, $t_P=8/20\mu\text{s}$		13.5	16	
Clamping voltage (V_{CC} pin to Ground)	V_C	$I_{PP}=8\text{A}$, $t_P=8/20\mu\text{s}$		12	15	V
		$I_{PP}=17\text{A}$, $t_P=8/20\mu\text{s}$		16.5	20	

ELECTRICAL CHARACTERISTICS ($T_A=25^{\circ}\text{C}$, continued)

Parameter	Symbol	Conditions	Min	Typ	Max	Unit
Junction capacitance	C_J	$V_{RWM}=0\text{V}$, $f=1\text{MHz}$ Any I/O pin to Ground		0.7	0.8	pF
		$V_{RWM}=0\text{V}$, $f=1\text{MHz}$ Between I/O pins		0.35		

RATINGS AND V-I CHARACTERISTICS CURVES ($T_A=25^{\circ}\text{C}$, unless otherwise noted)

FIG.1: V- I curve characteristics (Uni-directional)

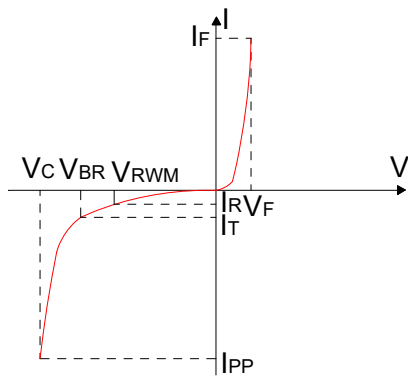


FIG.2: Pulse waveform (8/20 μs)

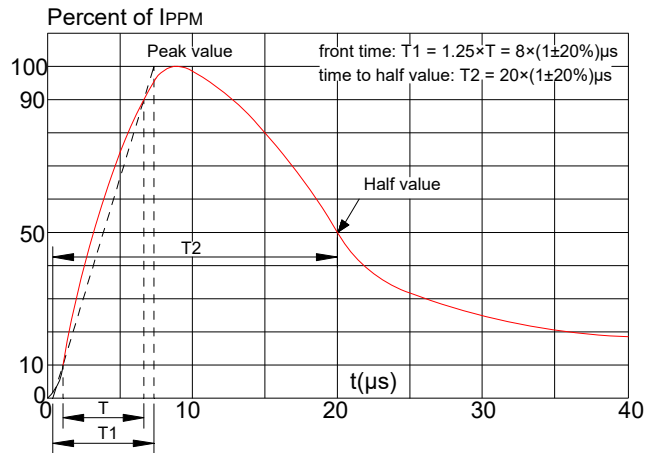


FIG.3: Pulse derating curve

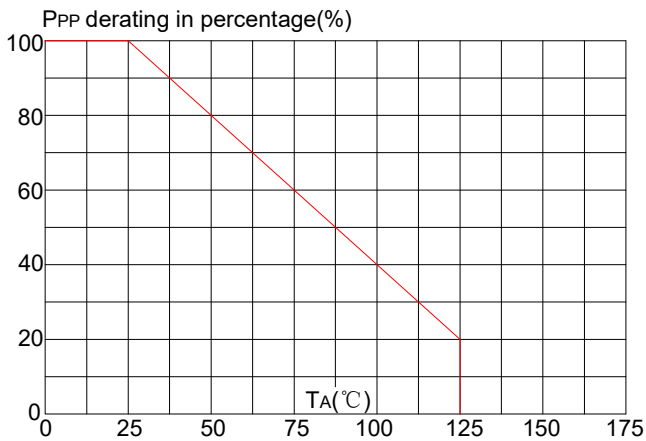


FIG.4: ESD clamping (15kV contact)

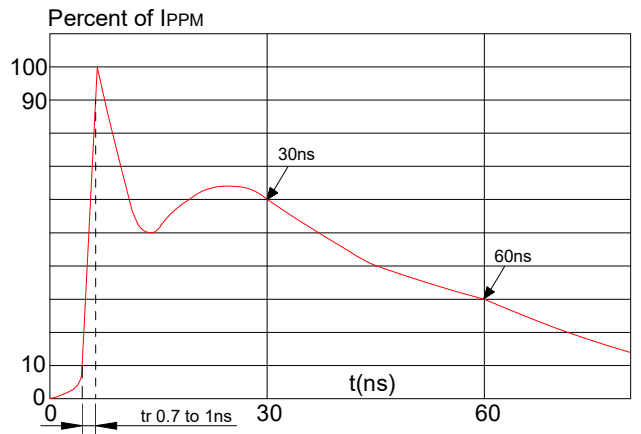


FIG.5: Voltage sweeping of I/O to GND

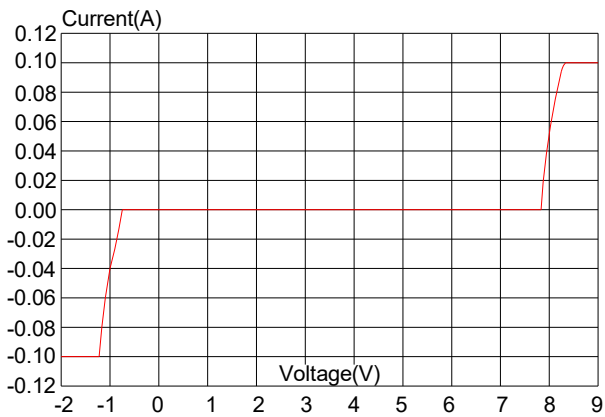


FIG.6: Insertion loss S21 of I/O to GND

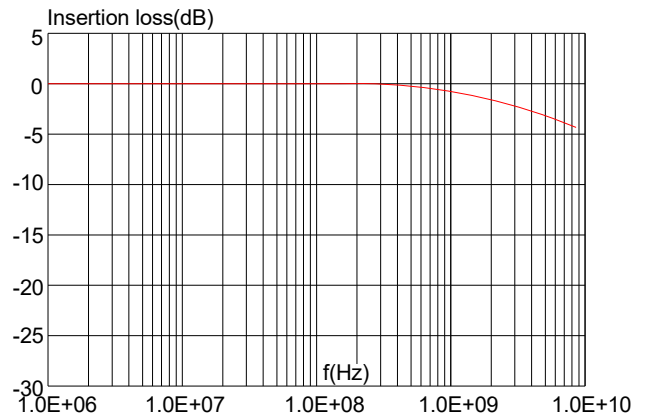


FIG.7: Capacitance vs. voltage of I/O to GND (f=1MHz)

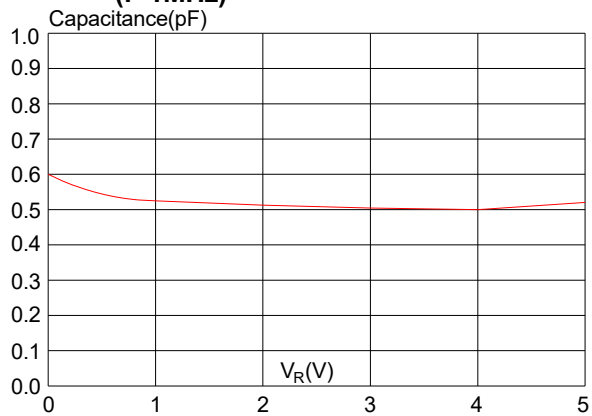


FIG.8: Clamping voltage vs. peak pulse current (8/20µs)

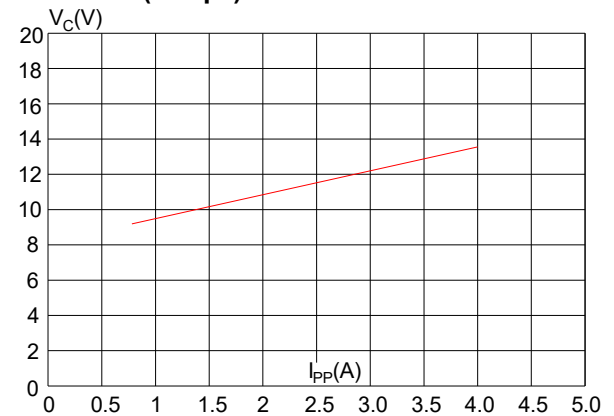


FIG.9: ESD clamping of I/O to GND (+8kV contact per IEC 61000-4-2)

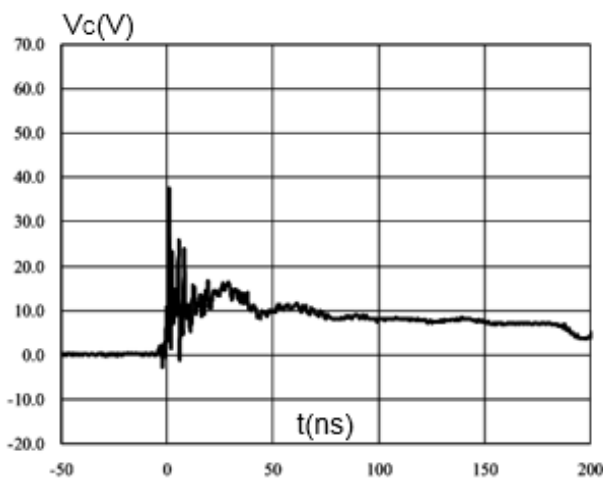
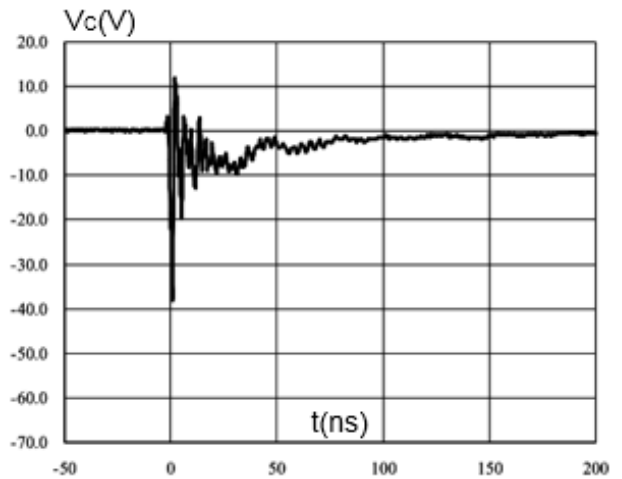


FIG.10: ESD clamping of I/O to GND (-8kV contact per IEC 61000-4-2)



APPLICATION INFORMATION

Pin connection in PCB

SRV05-4C is capable to provide ESD protection for four data lines simultaneously. The pin connection is shown in Figure 1.

Four parallel data lines, from inner IC to I/O port connector, could connect to SRV05-4C four I/O pins directly. Pin 2 of SRV05-4C is the negative reference pin, which should connect to the GND of PCB. The connection wires should be as short as possible in order to minimize the parasitic inductance.

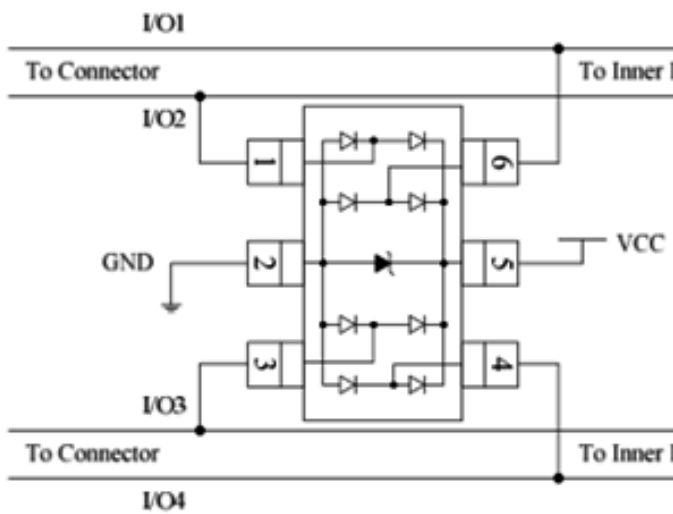


Figure1. SRV05-4C pin connection in PCB

PCB layout guidelines

For optimum ESD protection and the whole circuit performance, the following PCB layout guidelines are recommended:

- ◆ SRV05-4C GND pin to the PCB GND rail path should be as short as possible. It could reduce the ESD transient return path to GND.
- ◆ The vias connecting SRV05-4C V_{CC} & GND pins to the PCB V_{CC}&GND should be wide.
- ◆ Place SRV05-4C as close to the connector port as possible. It could reduce the parasitic inductance and restrict ESD coupling into adjacent traces.
- ◆ Avoid running critical signals near board edges.

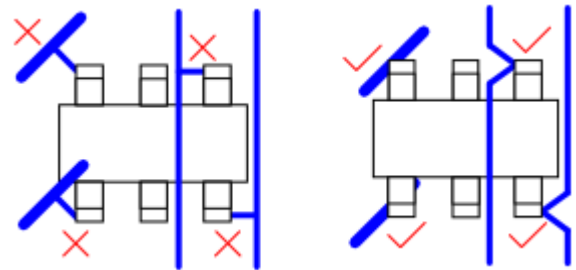
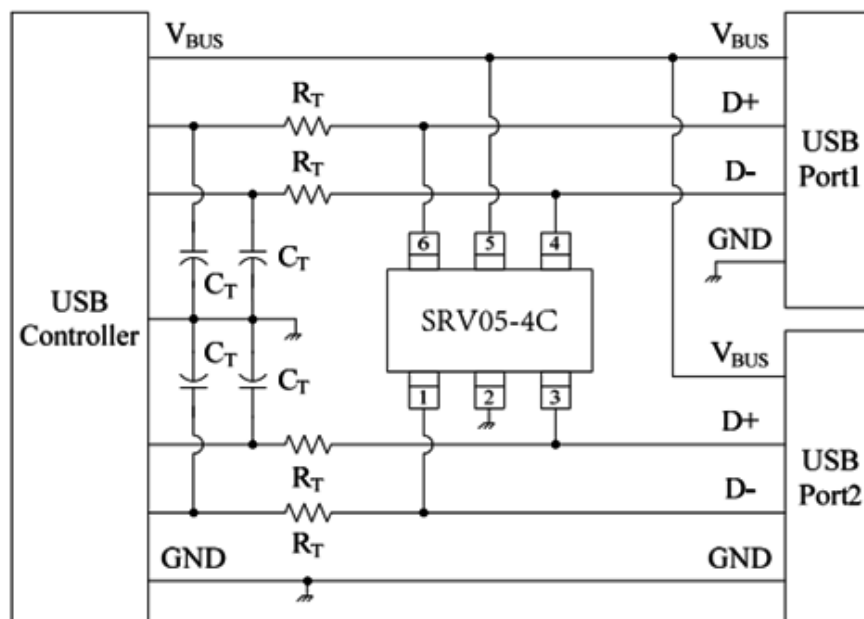
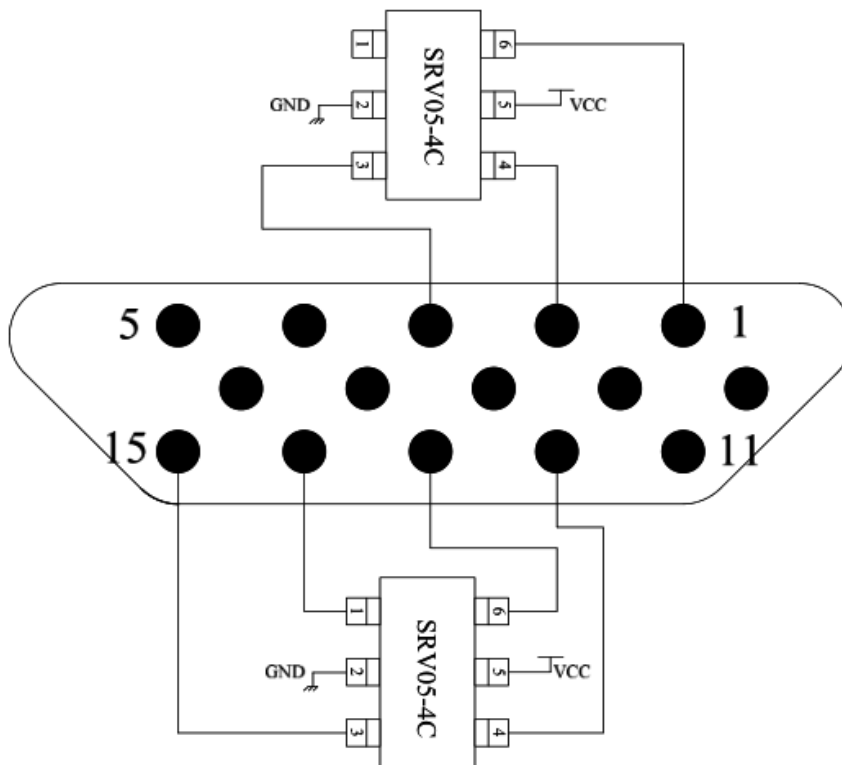


Figure2. SRV05-4C layout guideline

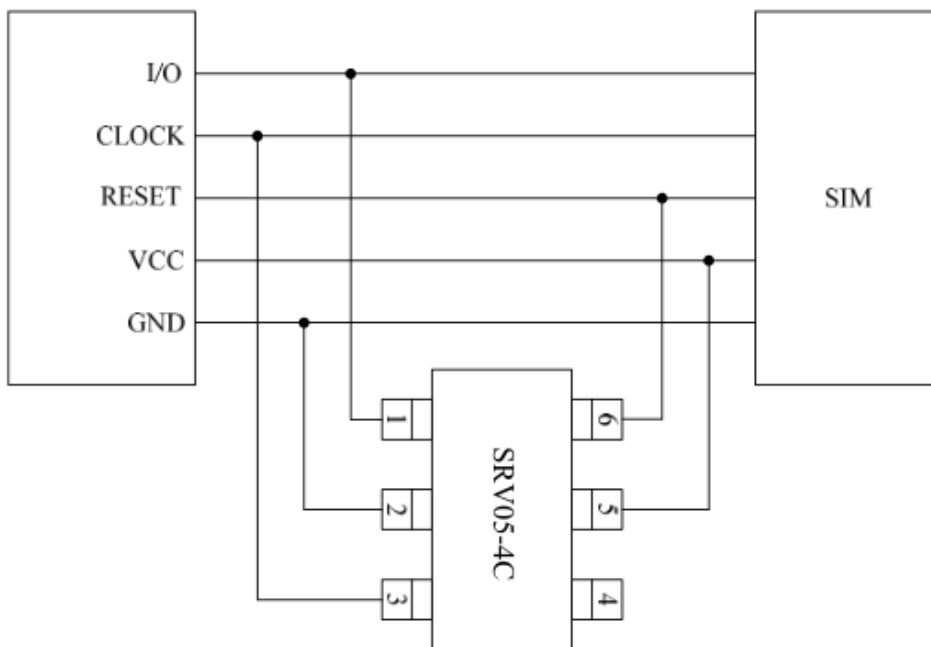
Universal serial bus ESD protection



APPLICATION INFORMATION(continued)



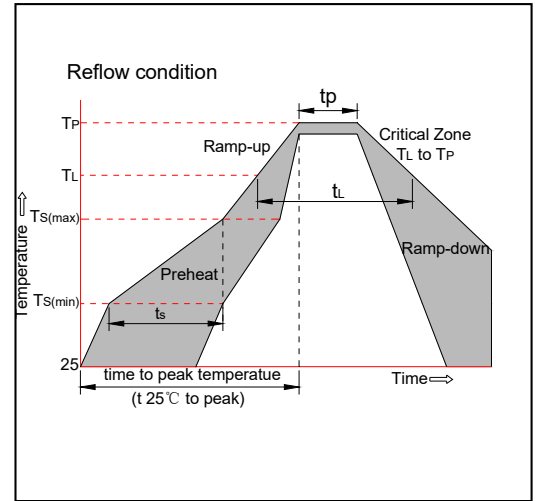
Layout top view for video(VGA) interface with SRV05-4C



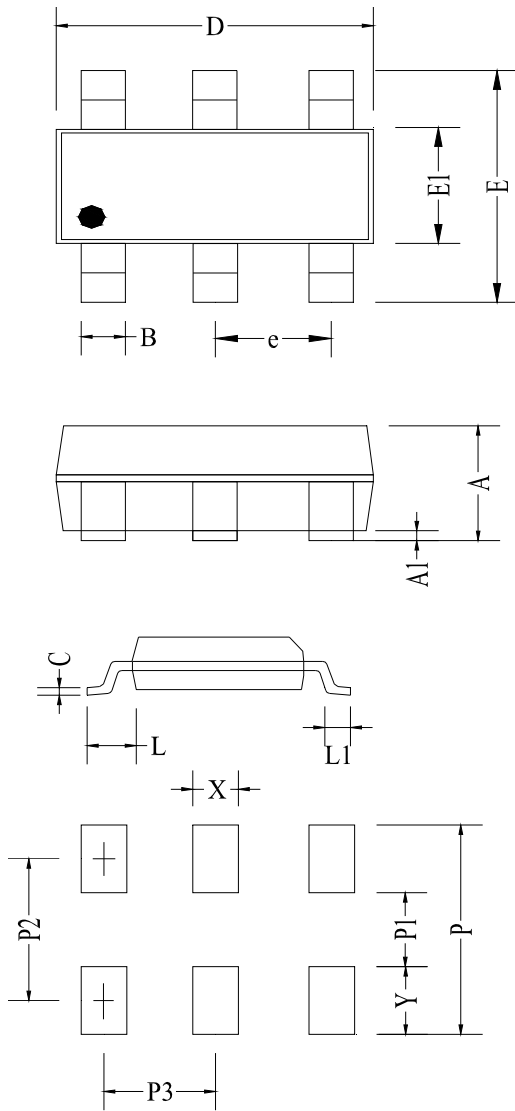
Layout top view for SIM port with SRV05-4C

SOLDERING PARAMETERS

Reflow Condition		Pb-Free assembly (see figure at right)
Pre Heat	-Temperature Min ($T_{s(min)}$)	+150°C
	-Temperature Max($T_{s(max)}$)	+200°C
	-Time (Min to Max) (t_s)	60-180 secs.
Average ramp up rate (Liquidus Temp (T_L)to peak)		3°C/sec. Max
$T_{s(max)}$ to T_L - Ramp-up Rate		3°C/sec. Max
Reflow	-Temperature(T_L)(Liquidus)	+217°C
	-Temperature(t_L)	60-150 secs.
Peak Temp (T_P)		+260(+0/-5)°C
Time within 5°C of actual Peak Temp (t_p)		20-40secs.
Ramp-down Rate		6°C/sec. Max
Time 25°C to Peak Temp (T_P)		8 min. Max
Do not exceed		+260°C



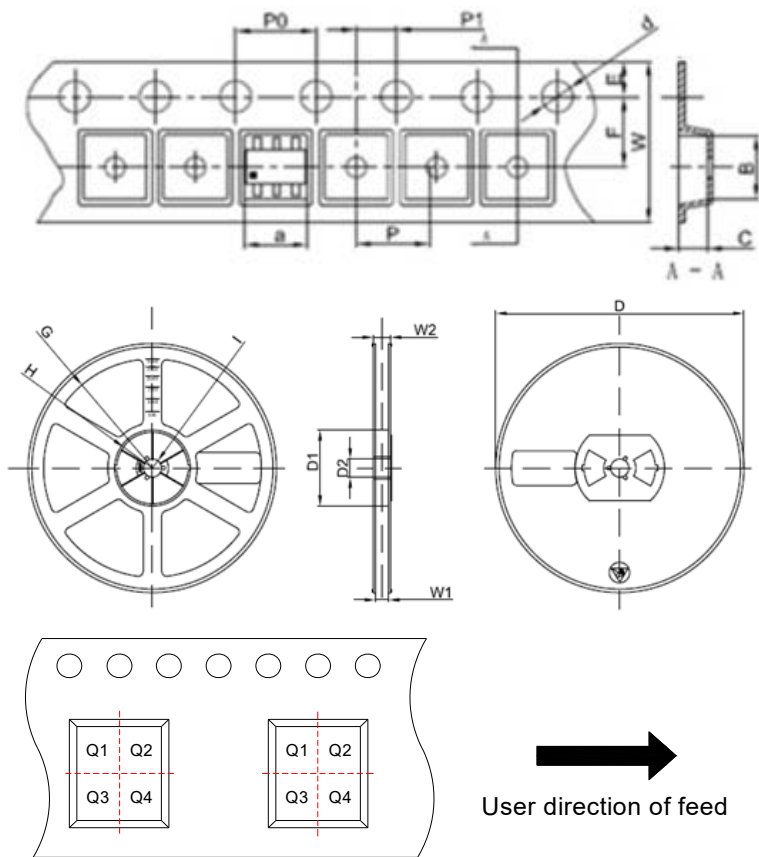
PACKAGE MECHANICAL DATA



Land Pattern

Symbol	Millimeter			Inches		
	Min	Typ	Max	Min	Typ	Max
A	0.90	1.18	1.45	0.035	0.046	0.057
A1	0.02	0.08	0.14	0.001	0.003	0.006
B	0.35	0.40	0.50	0.014	0.016	0.020
C	0.08	0.15	0.20	0.003	0.006	0.008
D	2.92	3.00	3.02	0.115	0.118	0.119
e	0.69	0.95	1.02	0.027	0.037	0.040
E1	1.50	1.60	1.75	0.059	0.063	0.069
E	2.80BSC			0.110BSC		
L1	0.35	0.45	0.55	0.014	0.018	0.022
L	0.6			0.024		
X	0.6			0.024		
Y	1.1			0.043		
P	3.6			0.142		
P1	1.4			0.055		
P2	2.5			0.098		
P3	0.95			0.037		

TAPE AND REEL SPECIFICATION-SOT23-6L



Pin 1 quadrant:Q3

Symbol	Millimeters	Inches
	Typ.	Typ.
a	3.17	0.125
B	3.23	0.127
C	1.37	0.054
d	Φ1.55	Φ0.061
E	1.75	0.069
F	3.50	0.138
P0	4.00	0.157
P	4.00	0.157
P1	2.00	0.079
W	8.00	0.315
D	Φ180	Φ7.087
D1	60.00	2.632
D2	13.00	0.512
G	R78.00	R3.071
H	R25.60	R1.008
I	R6.50	R0.256
W1	9.50	0.374
W2	13.10	0.516

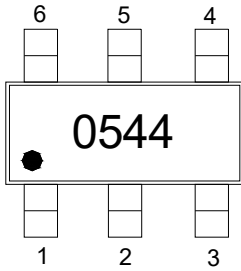
Packaging Description:

SOT23-6L parts are shipped in tape. The carrier tape is made from a dissipative(carbon filled) polycarbonate resin. The cover tape is a multilayer film(heat activated adhesive in nature)primarily composed of polyester film, adhesive layer, sealant, and anti-static sprayed agent. These reeled parts in standard option are shipped with 3,000units per 7" or 17.8cm diameter reel. The reels are clear in color and made of polystyrene plastic(anti-static coated).

ORDERING INFORMATION

PART No.	PACKAGE TYPE	QUANTITY(PCS) REEL	DESCRIPTION
SRV05-4C	SOT23-6L	3,000	7 inch reel pack

MARKING CODE

Part Number	Marking Code
SRV05-4C	

Information furnished in this document is believed to be accurate and reliable. However, Jiangsu JieJie Microelectronics Co.,Ltd assumes no responsibility for the consequences of use without consideration for such information nor use beyond it.

Information mentioned in this document is subject to change without notice, apart from that when an agreement is signed, Jiangsu JieJie complies with the agreement.

Products and information provided in this document have no infringement of patents. Jiangsu JieJie assumes no responsibility for any infringement of other rights of third parties which may result from the use of such products and information.

This document is the 1.1st version which is made in 27-Aug-2020. This document supersedes and replaces all information previously supplied.

 is a registered trademark of Jiangsu JieJie Microelectronics Co.,Ltd.

Copyright ©2020 Jiangsu JieJie Microelectronics Co.,Ltd. Printed All rights reserved.