

4-Bit Dual-Supply Bus Transceiver with Configurable Voltage-Level Shifting and 3-State Outputs with Independent Direction Control Inputs

1 FEATURES

- Each Channel Has an Independent DIR Control Input
- Control Inputs V_{IH}/V_{IL} Levels are Referenced to V_{CCA} Voltage
- Power-Supply Range: V_{CCA} and V_{CCB} : 0.9V to 3.6V
- V_{CC} Isolation Feature: If Either V_{CC} Input is Below 100 mV, all I/Os Outputs are Disabled and Become High Impedance
- I_{OFF} : Supports Partial-Power-Down Mode Operation
- Extended Temperature: -40°C to +125°C

2 APPLICATIONS

- Desktop PC
- Personal electronics
- Industrial
- Enterprise

3 DESCRIPTIONS

This 4-bit noninverting bus transceiver uses two separate configurable power-supply rails. The A port is designed to track V_{CCA} . V_{CCA} accepts any supply voltage from 0.9 V to 3.6 V. The B port is designed to track V_{CCB} . V_{CCB} accepts any supply voltage from 0.9 to 3.6 V. This allows for universal low-voltage bi-directional translation between any of the 0.9V, 1.2V, 1.5V, 1.8V, 2.5V, and 3.3V voltage nodes.

The RS4T774 is designed for asynchronous communication between two data buses. The logic levels of the direction-control (DIR) input and the output-enable (\overline{OE}) input activate either the B-port outputs or the A-port outputs or place both output ports into the high-impedance mode.

The device transmits data from the A bus to the B bus when the B-port outputs are activated, and from the B bus to the A bus when the A-port outputs are activated. The input circuitry on both A and B ports is always active and must have a logic HIGH or LOW level applied to prevent excess I_{CC} and I_{CCZ} .

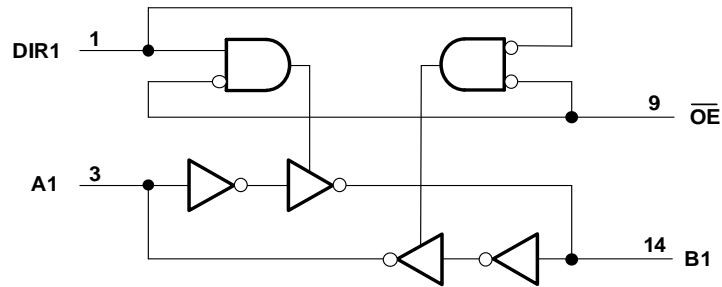
This device is fully specified for partial-power-down applications using I_{OFF} . The I_{OFF} circuitry disables the outputs, preventing damaging current backflow through the device when it is powered down.

Device Information (1)

PART NUMBER	PACKAGE	BODY SIZE (NOM)
RS4T774	TSSOP-16(16)	5.00mmx4.40mm
	QFN2.5x3.5-16L	2.50mmx3.50mm
	QFN2.6x1.8-16L	2.60mmx1.80mm

(1) For all available packages, see the orderable addendum at the end of the data sheet.

4 Functional Block Diagram



Logic Diagram (Positive Logic)

Function Table

CONTROL INPUTS		OUTPUT CIRCUITS		OPERATION
\overline{OE}	DIR	A PORT	B PORT	
L	L	Enabled	Hi-Z	B data to A data
L	H	Hi-Z	Enabled	A data to B data
H	X	Hi-Z	Hi-Z	Isolation

Table of Contents

1 FEATURES	1
2 APPLICATIONS	1
3 DESCRIPTIONS	1
4 Functional Block Diagram	2
5 Revision History	4
6 PACKAGE/ORDERING INFORMATION ⁽¹⁾	5
7 PIN CONFIGURATIONS	6
8 SPECIFICATIONS	7
8.1 Absolute Maximum Ratings	7
8.2 ESD Ratings	7
8.3 Recommended Operating Conditions	8
8.4 Electrical Characteristics	9
8.5 Switching Characteristics	10
8.5.1 $V_{CCA}=0.9V\pm 0.1 V$	10
8.5.2 $V_{CCA}=1.2V\pm 0.1 V$	10
8.5.3 $V_{CCA}=1.5V\pm 0.1 V$	11
8.5.4 $V_{CCA}=1.8V\pm 0.15 V$	11
8.5.5 $V_{CCA}=2.5V\pm 0.2 V$	12
8.5.6 $V_{CCA}=3.3V\pm 0.3 V$	12
8.6 Operating Characteristics	13
9 Parameter Measurement Information	14
10 Application and Implementation	15
10.1 Application Information	15
10.2 Power Supply Recommendations	15
11 PACKAGE OUTLINE DIMENSIONS	16
12 TAPE AND REEL INFORMATION	19

5 Revision History

Note: Page numbers for previous revisions may differ from page numbers in the current version.

VERSION	Change Date	Change Item
A.1	2022/08/29	Initial version completed
A.2	2022/10/19	1. Description Revise on Page 1@RevA.1 2. Add QFN2.6x1.8-16L package
A.3	2022/12/02	Update PACKAGE MARKING on Page 5@RevA.2
A.4	2023/04/04	Update QFN2.5x3.5-16L PACKAGE on Page 17@RevA.3

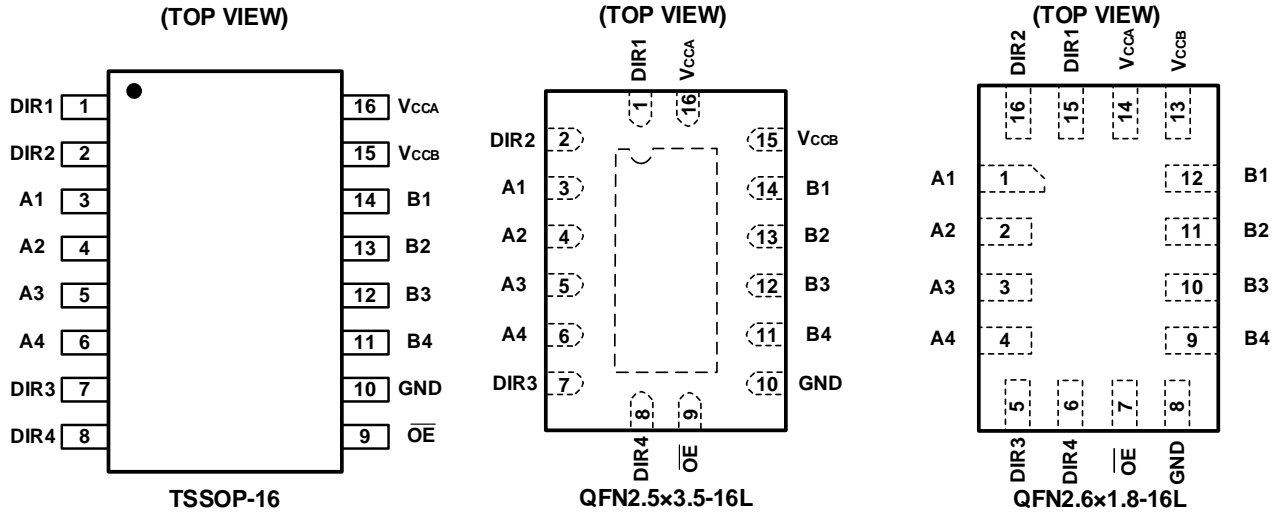
6 PACKAGE/ORDERING INFORMATION ⁽¹⁾

PRODUCT	ORDERING NUMBER	TEMPERATURE RANGE	PACKAGE LEAD	PACKAGE MARKING ⁽²⁾	MSL ⁽³⁾	PACKAGE OPTION
RS4T774	RS4T774XTSS16	-40°C ~+125°C	TSSOP-16	RS4T774	MSL3	Tape and Reel,4000
	RS4T774XTQW16	-40°C ~+125°C	QFN2.5x3.5-16L	RS4T774	MSL3	Tape and Reel,5000
	RS4T774XTQQ16	-40°C ~+125°C	QFN2.6x1.8-16L	4T774	MSL3	Tape and Reel,3000

NOTE:

- (1) This information is the most current data available for the designated devices. This data is subject to change without notice and revision of this document. For browser-based versions of this data sheet, refer to the right-hand navigation.
- (2) There may be additional marking, which relates to the lot trace code information(data code and vendor code), the logo or the environmental category on the device.
- (3) MSL, The Moisture Sensitivity Level rating according to the JEDEC industry standard classifications.

7 PIN CONFIGURATIONS



PIN DESCRIPTION

PIN		NAME	TYPE ⁽¹⁾	FUNCTION
TSSOP-16/ QFN2.5x3.5-16L	QFN2.6x1.8-16L			
1	15	DIR1	I	Direction-control input referenced to V _{CCA} , controls signal flow for the first (A1/B1) I/O channels.
2	16	DIR2	I	Direction-control input referenced to V _{CCA} , controls signal flow for the second (A2/B2) I/O channels.
3	1	A1	I/O	Input/output A1. Reference to V _{CCA} .
4	2	A2	I/O	Input/output A2. Reference to V _{CCA} .
5	3	A3	I/O	Input/output A3. Reference to V _{CCA} .
6	4	A4	I/O	Input/output A4. Reference to V _{CCA} .
7	5	DIR3	I	Direction-control input referenced to V _{CCA} , controls signal flow for the third (A3/B3) I/O channels.
8	6	DIR4	I	Direction-control input referenced to V _{CCA} , controls signal flow for the fourth (A4/B4) I/O channels.
9	7	\overline{OE}	I	3-state output-mode enables. Pull \overline{OE} high to place all outputs in 3-state mode. Referenced to V _{CCA} .
10	8	GND	G	Ground.
11	9	B4	I/O	Input/output B4. Reference to V _{CCB} .
12	10	B3	I/O	Input/output B3. Reference to V _{CCB} .
13	11	B2	I/O	Input/output B2. Reference to V _{CCB} .
14	12	B1	I/O	Input/output B1. Reference to V _{CCB} .
15	13	V _{CCB}	P	B-port supply voltage. $0.9V \leq V_{CCB} \leq 3.6V$
16	14	V _{CCA}	P	A-port supply voltage. $0.9V \leq V_{CCA} \leq 3.6V$

(1) I=input, O=output, I/O=input and output, P=power, G=Ground.

8 SPECIFICATIONS

8.1 Absolute Maximum Ratings

Over operating free-air temperature range (unless otherwise noted) ⁽¹⁾

SYMBOL	PARAMETER		MIN	MAX	UNIT
V _{CCA}	Supply Voltage Range		-0.5	4.6	V
V _{CCB}	Supply Voltage Range		-0.5	4.6	V
V _I ⁽²⁾	Input Voltage Range	A port	-0.5	4.6	V
		B port	-0.5	4.6	V
		Control inputs	-0.5	4.6	V
V _O ⁽²⁾	Voltage range applied to any output in the high-impedance or power-off state	A port	-0.5	4.6	V
		B port	-0.5	4.6	V
V _O ⁽²⁾⁽³⁾	Voltage range applied to any output in the high or low state	A port	-0.5	V _{CCA} +0.5	V
		B port	-0.5	V _{CCB} +0.5	V
I _{IK}	Input clamp current	V _I <0		-50	mA
I _{OK}	Output clamp current	V _O <0		-50	mA
I _O	Continuous output current			±50	mA
	Continuous current through V _{CCA} , V _{CCB} or GND			±100	mA
T _J	Junction Temperature ⁽⁴⁾		-40	150	°C
T _{stg}	Storage temperature		-65	+150	

(1) Stresses beyond those listed under *Absolute Maximum Ratings* may cause permanent damage to the device. These are stress ratings only, which do not imply functional operation of the device at these or any other conditions beyond those indicated under *Recommended Operating Conditions*. Exposure to absolute-maximum-rated conditions for extended periods may affect device reliability.

(2) The input and output negative-voltage ratings may be exceeded if the input and output current ratings are observed.

(3) The value of V_{CCA} and V_{CCB} are provided in the recommended operating conditions table.

(4) The maximum power dissipation is a function of T_{J(MAX)}, R_{θJA}, and T_A. The maximum allowable power dissipation at any ambient temperature is P_D = (T_{J(MAX)} - T_A) / R_{θJA}. All numbers apply for packages soldered directly onto a PCB.

8.2 ESD Ratings

The following ESD information is provided for handling of ESD-sensitive devices in an ESD protected area only.

			VALUE	UNIT
V _(ESD)	Electrostatic discharge	Human-body model (HBM), per ANSI/ESDA/JEDEC JS-001 ⁽¹⁾	±4000	V
		Charged-device model (CDM), per ANSI/ESDA/JEDEC JS-002 ⁽²⁾	±1500	V
		Machine Model (MM)	±300	V

(1) JEDEC document JEP155 states that 500 V HBM allows safe manufacturing with a standard ESD control process.

(2) JEDEC document JEP157 states that 250 V CDM allows safe manufacturing with a standard ESD control process.



ESD SENSITIVITY CAUTION

ESD damage can range from subtle performance degradation to complete device failure. Precision integrated circuits may be more susceptible to damage because very small parametric changes could cause the device not to meet its published specifications.

8.3 Recommended Operating Conditions

V_{CCI} is the supply voltage associated with the input port. V_{CCO} is the supply voltage associated with the output port. ⁽¹⁾⁽²⁾⁽³⁾

PARAMETER		V _{CCI} ⁽¹⁾	V _{CCO} ⁽²⁾	MIN	TYP	MAX	UNIT
Supply voltage ⁽¹⁾	V _{CCA}			0.9		3.6	V
	V _{CCB}			0.9		3.6	
High-level input Voltage (V _{IH})	Data inputs ⁽⁴⁾	0.9V to 1.95V		V _{CCI} ×0.75			V
		1.95V to 2.7V		V _{CCI} ×0.75			
		2.7V to 3.6V		V _{CCI} ×0.75			
Low-level input Voltage (V _{IL})	Data inputs ⁽⁴⁾	0.9V to 1.95V				V _{CCI} ×0.35	V
		1.95V to 2.7V				V _{CCI} ×0.35	
		2.7V to 3.6V				V _{CCI} ×0.35	
High-level input Voltage (V _{IH})	Control inputs (referenced to V _{CCA}) ⁽⁵⁾	0.9V to 1.95V		V _{CCI} ×0.75			V
		1.95V to 2.7V		V _{CCI} ×0.75			
		2.7V to 3.6V		V _{CCI} ×0.75			
Low-level input Voltage (V _{IL})	Control inputs (referenced to V _{CCA}) ⁽⁵⁾	0.9V to 1.95V				V _{CCI} ×0.35	V
		1.95V to 2.7V				V _{CCI} ×0.35	
		2.7V to 3.6V				V _{CCI} ×0.35	
Input voltage (V _i)				0		3.6	V
output voltage (V _o)	Active state			0		V _{CCO}	V
	3-state			0		3.6	V
High-level output current (I _{OH})			0.9V to 1.3V			-3	mA
			1.4V to 1.6V			-6	
			1.65V to 1.95V			-8	
			2.3V to 2.7V			-9	
			3V to 3.6V			-12	
Low-level output current (I _{OL})			0.9V to 1.3V			3	mA
			1.4V to 1.6V			6	
			1.65V to 1.95V			8	
			2.3V to 2.7V			9	
			3V to 3.6V			12	
Input transition rise or fall rate(Δt/Δv)						5	ns/V
T _A Operating free-air temperature				-40		125	°C

(1) V_{CCI} is the V_{CC} associated with the data input port.

(2) V_{CCO} is the VCC associated with the output port.

(3) All unused data inputs of the device must be held at V_{CCI} or GND to ensure proper device operation.

(4) For V_{CCI} values not specified in the data sheet, V_{IH} min = V_{CCI} × 0.75 V, V_{IL} max = V_{CCI} × 0.35 V.

(5) For V_{CCA} values not specified in the data sheet, V_{IH} min = V_{CCA} × 0.75 V, V_{IL} max = V_{CCA} × 0.35 V.

8.4 Electrical Characteristics

over recommended operating free-air temperature range (unless otherwise noted) ^{(1) (2)}

PARAMETER	CONDITIONS	V _{CCA}	V _{CCB}	TEMP	MIN ⁽³⁾	TYP ⁽⁴⁾	MAX ⁽³⁾	UNIT	
V _{OH}	I _{OH} = -100μA V _I =V _{IH}	0.9V to 3.6V	0.9V to 3.6V	Full	V _{CCO} - 0.2			V	
	I _{OH} = -3mA V _I =V _{IH}	1.2V	1.2V		0.95				
	I _{OH} = -6mA V _I =V _{IH}	1.4V	1.4V		1.05				
	I _{OH} = -8mA V _I =V _{IH}	1.65V	1.65V		1.2				
	I _{OH} = -9mA V _I =V _{IH}	2.3V	2.3V		1.75				
	I _{OH} = -12mA V _I =V _{IH}	3V	3V		2.3				
V _{OL}	I _{OL} = 100μA V _I =V _{IL}	0.9V to 3.6V	0.9V to 3.6V					0.2	V
	I _{OL} = 3mA V _I =V _{IL}	1.2V	1.2V					0.25	
	I _{OL} = 6mA V _I =V _{IL}	1.4V	1.4V					0.35	
	I _{OL} = 8mA V _I =V _{IL}	1.65V	1.65V					0.45	
	I _{OL} = 9mA V _I =V _{IL}	2.3V	2.3V					0.55	
	I _{OL} = 12mA V _I =V _{IL}	3V	3V					0.7	
I _I DIR	V _I = V _{CCA} or GND	0.9V to 3.6V	0.9V to 3.6V	+25°C			±1	μA	
				Full			±5		
I _{off} A or B Port	V _I or V _O = 0 to 3.6V	0V	0V to 3.6V	+25°C			±1	μA	
		0V to 3.6V	0V	Full			±5		
I _{OZ} ⁽⁵⁾ A or B Port	V _O =V _{CCO} or GND V _{IH} =V _{CC1} or GND OE=V _{IH}	3.6V	3.6V	+25°C			±1	μA	
				Full			±2		
I _{CCA} V _{CCA} supply current	V _I = V _{CC1} or GND ⁽⁶⁾ I _O = 0	0.9V to 3.6V	0.9V to 3.6V	Full			15	μA	
		0V	0V to 3.6V	Full	-2				
		0V to 3.6V	0V	Full			15		
I _{CCB} V _{CCB} supply current	V _I = V _{CC1} or GND ⁽⁶⁾ I _O = 0	0.9V to 3.6V	0.9V to 3.6V	Full			15	μA	
		0V	0V to 3.6V	Full			15		
		0V to 3.6V	0V	Full	-2				
I _{CCA} + I _{CCB} Combined supply current	V _I = V _{CC1} or GND I _O = 0	0.9V to 3.6V	0.9V to 3.6V	Full			30	μA	
C _I Control inputs	V _I = V _{CCA} or GND	3.3V	3.3V	+25°C		2.5		pF	
C _{IO} A or B Port	V _O = V _{CCA} or GND	3.3V	3.3V	+25°C		5		pF	

(1) V_{CC1} is the V_{CC} associated with the input port.

(2) V_{CCO} is the V_{CC} associated with the output port.

(3) Limits are 100% production tested at 25°C. Limits over the operating temperature range are ensured through correlations using statistical quality control (SQC) method.

(4) Typical values represent the most likely parametric norm as determined at the time of characterization. Actual typical values may vary over time and will also depend on the application and configuration.

(5) For I/O ports, the parameter I_{OZ} includes the input leakage current.

(6) Hold all unused data inputs of the device at V_{CC1} or GND to assure proper device operation.

8.5 Switching Characteristics

8.5.1 $V_{CCA}=0.9V\pm 0.1V$

over recommended operating free-air temperature range, Full=-40°C to 125°C.

PARAMETER	FROM (INPUT)	TO (OUTPUT)	$V_{CCB}=0.9V \pm 0.1V^{(1)}$		$V_{CCB}=1.2V \pm 0.1V^{(1)}$		$V_{CCB}=1.5V \pm 0.1V^{(1)}$		$V_{CCB}=1.8V \pm 0.15V^{(1)}$		$V_{CCB}=2.5V \pm 0.2V^{(1)}$		$V_{CCB}=3.3V \pm 0.3V^{(1)}$		UNIT
			MIN	MAX	MIN	MAX	MIN	MAX	MIN	MAX	MIN	MAX	MIN	MAX	
t_{PLH}	An	Bn	6.6	23.9	5.9	18.6	5.5	17.0	5.2	16.5	5.0	15.9	5.0	15.9	ns
t_{PHL}			5.9	18.9	4.9	16.1	4.8	15.5	4.6	15.3	4.8	15.2	4.8	15.0	
t_{PLH}	Bn	An	7.7	24.5	6.8	21.3	6.2	21.2	6.3	19.5	6.1	19.1	6.4	20.1	ns
t_{PHL}			5.9	19.2	5.2	16.5	4.9	16.1	4.7	16.1	4.5	14.9	4.4	14.3	
t_{PZH}	\overline{OE}	An	10.2	60.0	7.6	39.3	6.4	42.8	6.0	32.6	5.6	28.1	7.4	27.8	ns
t_{PZL}			9.1	30.2	8.2	27.8	7.8	26.3	7.8	25.4	7.7	25.2	7.5	24.0	
t_{PZH}	\overline{OE}	Bn	10.1	44.3	10.7	44.7	10.7	48.9	10.1	56.3	10.7	47.4	12.6	52.4	ns
t_{PZL}			7.3	30.2	6.6	30.9	6.5	30.2	5.8	29.3	6.4	27.5	6.9	30.8	
t_{PHZ}	\overline{OE}	An	6.4	31.2	5.8	25.2	5.2	24.5	5.6	22.1	5.4	19.2	7.1	24.3	ns
t_{PLZ}			7.2	29.1	5.7	24.6	4.9	22.2	4.9	23.3	4.8	20.4	6.4	23.6	
t_{PHZ}	\overline{OE}	Bn	6.0	28.5	5.5	26.1	5.6	30.2	5.7	28.8	5.6	28.4	5.5	27.9	ns
t_{PLZ}			9.2	31.5	9.4	31.8	9.4	31.4	9.2	31.4	9.6	32.4	9.8	32.4	

(1) This parameter is ensured by design and/or characterization and is not tested in production.

8.5.2 $V_{CCA}=1.2V\pm 0.1V$

over recommended operating free-air temperature range, Full=-40°C to 125°C.

PARAMETER	FROM (INPUT)	TO (OUTPUT)	$V_{CCB}=0.9V \pm 0.1V^{(1)}$		$V_{CCB}=1.2V \pm 0.1V^{(1)}$		$V_{CCB}=1.5V \pm 0.1V^{(1)}$		$V_{CCB}=1.8V \pm 0.15V^{(1)}$		$V_{CCB}=2.5V \pm 0.2V^{(1)}$		$V_{CCB}=3.3V \pm 0.3V^{(1)}$		UNIT
			MIN	MAX	MIN	MAX	MIN	MAX	MIN	MAX	MIN	MAX	MIN	MAX	
t_{PLH}	An	Bn	6.8	21.5	5.1	16.7	4.5	14.1	4.1	13.7	4.1	12.6	4.0	12.6	ns
t_{PHL}			5.0	17.0	4.1	14.3	3.9	12.9	3.8	12.5	3.8	11.7	3.6	12	
t_{PLH}	Bn	An	6.1	18.9	5.0	17.0	4.7	16.2	4.5	15.5	4.0	15.2	4.0	15	ns
t_{PHL}			5.1	16.2	4.2	14.4	4.0	14.3	3.7	13.1	3.6	12.3	3.6	11.6	
t_{PZH}	\overline{OE}	An	10.2	42.0	7.4	29.1	6.2	31.2	5.6	23.9	5.4	21.5	5.1	20.0	ns
t_{PZL}			7.1	25.5	6.0	22.4	5.7	21.0	5.3	19.7	5.2	18.6	5.1	17.9	
t_{PZH}	\overline{OE}	Bn	7.3	29.3	7.2	29.0	7.3	29.7	7.1	29.3	7.1	27.8	7.5	27.5	ns
t_{PZL}			5.1	23.3	5.0	22.1	4.9	21.2	4.5	23.1	5.0	20.6	5.0	20.6	
t_{PHZ}	\overline{OE}	An	5.4	27.6	5.4	24.5	4.2	22.7	5.3	21.2	4.7	17.4	5.7	22.8	ns
t_{PLZ}			5.9	25.8	4.8	22.5	4.2	17.7	4.9	20.1	4.3	17.1	5.4	20.4	
t_{PHZ}	\overline{OE}	Bn	4.8	23.3	4.6	20.0	5.1	21.0	5.1	21.3	4.6	22.5	4.8	22.8	ns
t_{PLZ}			6.1	21.9	5.9	21.8	6.0	22.8	6.0	21.9	5.9	22.8	5.8	22.5	

(1) This parameter is ensured by design and/or characterization and is not tested in production.

8.5.3 $V_{CCA}=1.5V\pm 0.1V$

over recommended operating free-air temperature range, Full=-40°C to 125°C.

PARAMETER	FROM (INPUT)	TO (OUTPUT)	$V_{CCB}=0.9V \pm 0.1V^{(1)}$		$V_{CCB}=1.2V \pm 0.1V^{(1)}$		$V_{CCB}=1.5V \pm 0.1V^{(1)}$		$V_{CCB}=1.8V \pm 0.15V^{(1)}$		$V_{CCB}=2.5V \pm 0.2V^{(1)}$		$V_{CCB}=3.3V \pm 0.3V^{(1)}$		UNIT
			MIN	MAX	MIN	MAX	MIN	MAX	MIN	MAX	MIN	MAX	MIN	MAX	
t _{PLH}	An	Bn	6.5	21.0	4.6	16.1	4.0	13.7	3.9	12.8	3.6	11.9	3.5	11.1	ns
t _{PHL}			4.9	15.9	4.0	13.1	3.5	11.9	3.5	11.7	3.2	11.1	3.3	11.1	
t _{PLH}	Bn	An	5.1	17.0	4.4	14.4	4.0	13.7	3.7	13.5	3.5	12.5	3.5	12.5	ns
t _{PHL}			4.9	15.8	4.1	13.2	3.8	12.6	3.4	12.2	3.4	11.3	3.3	11.0	
t _{PZH}	\overline{OE}	An	8.7	49.4	6.2	26.3	5.6	22.7	5.0	18.5	4.8	17.7	4.4	16.5	ns
t _{PZL}			6.4	24.3	5.0	18.9	4.8	18.3	4.4	17.4	4.5	16.8	4.1	15.5	
t _{PZH}	\overline{OE}	Bn	5.6	22.4	5.6	21.8	5.7	21.5	5.7	21.9	5.5	22.5	5.6	21.8	ns
t _{PZL}			4.0	19.1	4.3	19.8	4.6	19.2	4.0	17.1	3.9	20.1	4.2	21.2	
t _{PHZ}	\overline{OE}	An	6.2	25.8	5.1	24.2	4.1	24.0	5.2	20.1	4.0	16.7	5.1	20.7	ns
t _{PLZ}			5.2	26.7	4.8	19.8	4.1	18.9	4.3	20.1	3.9	16.7	5.3	19.7	
t _{PHZ}	\overline{OE}	Bn	3.3	18.0	3.5	17.4	3.4	18.6	3.7	20.1	4.0	17.9	3.9	19.5	ns
t _{PLZ}			5.1	18.9	4.8	18.5	4.9	19.2	4.7	18.2	4.9	18.3	4.8	18.6	

(1) This parameter is ensured by design and/or characterization and is not tested in production.

8.5.4 $V_{CCA}=1.8V\pm 0.15V$

over recommended operating free-air temperature range, Full=-40°C to 125°C.

PARAMETER	FROM (INPUT)	TO (OUTPUT)	$V_{CCB}=0.9V \pm 0.1V^{(1)}$		$V_{CCB}=1.2V \pm 0.1V^{(1)}$		$V_{CCB}=1.5V \pm 0.1V^{(1)}$		$V_{CCB}=1.8V \pm 0.15V^{(1)}$		$V_{CCB}=2.5V \pm 0.2V^{(1)}$		$V_{CCB}=3.3V \pm 0.3V^{(1)}$		UNIT
			MIN	MAX	MIN	MAX	MIN	MAX	MIN	MAX	MIN	MAX	MIN	MAX	
t _{PLH}	An	Bn	6.6	20.6	4.6	15.5	4.0	14.0	3.7	12.9	3.5	11.7	3.5	11.3	ns
t _{PHL}			4.5	15.3	3.5	12.5	3.2	11.1	3.1	10.5	3.0	10.2	3.0	9.9	
t _{PLH}	Bn	An	5.3	16.4	4.0	13.2	3.8	12.6	3.7	12.3	3.4	11.7	3.3	11.6	ns
t _{PHL}			4.7	15.3	3.9	12.8	3.7	12.0	3.3	11.3	3.2	10.7	3.2	10.4	
t _{PZH}	\overline{OE}	An	9.5	40.4	6.0	26.6	5.2	29.0	4.5	22.8	4.4	15.8	4.0	15.0	ns
t _{PZL}			5.7	21.5	4.5	17.7	4.1	15.9	4.0	15	3.9	14.1	3.5	13.4	
t _{PZH}	\overline{OE}	Bn	5.1	17.6	4.8	17.4	5.0	17.3	4.9	18.2	5.0	17.1	4.8	17.1	ns
t _{PZL}			4.6	20.0	4.6	19.1	5.2	20.9	4.9	20.1	5.1	19.7	4.5	19.1	
t _{PHZ}	\overline{OE}	An	5.8	27.2	5.6	24.8	4.2	21.5	4.9	23.3	4.4	16.7	5.3	21.6	ns
t _{PLZ}			6.3	27.0	4.5	20.9	4.1	19.1	4.8	20.7	4.0	16.7	5.1	18.9	
t _{PHZ}	\overline{OE}	Bn	4.7	21.3	4.7	20.7	5.0	19.8	4.7	21.6	4.4	20.4	4.8	21.6	ns
t _{PLZ}			4.0	15.2	4.1	15.0	3.8	15.2	4.0	14.7	3.7	15.2	3.7	15.0	

(1) This parameter is ensured by design and/or characterization and is not tested in production.

8.5.5 $V_{CCA}=2.5V\pm 0.2V$

over recommended operating free-air temperature range, Full=-40°C to 125°C.

PARAMETER	FROM (INPUT)	TO (OUTPUT)	$V_{CCB}=0.9V \pm 0.1V^{(1)}$		$V_{CCB}=1.2V \pm 0.1V^{(1)}$		$V_{CCB}=1.5V \pm 0.1V^{(1)}$		$V_{CCB}=1.8V \pm 0.15V^{(1)}$		$V_{CCB}=2.5V \pm 0.2V^{(1)}$		$V_{CCB}=3.3V \pm 0.3V^{(1)}$		UNIT
			MIN	MAX	MIN	MAX	MIN	MAX	MIN	MAX	MIN	MAX	MIN	MAX	
t _{PLH}	An	Bn	6.3	19.8	4.3	15.5	3.8	13.1	3.4	12.2	3.3	11.1	3.2	11.0	ns
t _{PHL}			4.6	14.9	3.5	11.6	3.3	10.8	3.1	10.2	3.0	9.8	2.8	9.5	
t _{PLH}	Bn	An	4.6	15.0	3.8	12.6	3.5	11.6	3.3	11.3	3.2	10.5	2.9	10.8	ns
t _{PHL}			4.8	15.0	3.8	12.6	3.6	11.7	3.2	10.8	3.1	10.5	3.1	10.1	
t _{PZH}	\overline{OE}	An	8.0	37.7	5.1	23.9	4.4	21.0	4.0	15.0	3.8	13.5	3.4	12.3	ns
t _{PZL}			5.4	19.8	3.8	15.5	3.5	14.6	3.2	12.6	3.1	12.2	2.8	10.8	
t _{PZH}	\overline{OE}	Bn	4.0	14.3	3.9	14.1	3.9	14.3	3.8	14.3	3.9	14.4	3.9	14.0	ns
t _{PZL}			4.1	15.3	4.1	15.2	4.1	16.5	4.0	16.7	4.3	16.1	4.1	17.9	
t _{PHZ}	\overline{OE}	An	6.6	27.5	5.3	25.7	5.0	20.9	5.4	21.5	4.8	18.2	5.8	22.5	ns
t _{PLZ}			5.3	25.5	4.4	22.7	4.0	19.1	4.7	19.7	4.2	16.8	4.8	20.4	
t _{PHZ}	\overline{OE}	Bn	3.7	17.3	3.4	17.3	3.6	17.3	4.0	17.0	4.3	17.6	3.6	16.1	ns
t _{PLZ}			3.3	12.5	3.3	12.5	3.1	12.3	3.1	12.5	3.2	12.3	2.5	11.7	

(1) This parameter is ensured by design and/or characterization and is not tested in production.

8.5.6 $V_{CCA}=3.3V\pm 0.3V$

over recommended operating free-air temperature range, Full=-40°C to 125°C.

PARAMETER	FROM (INPUT)	TO (OUTPUT)	$V_{CCB}=0.9V \pm 0.1V^{(1)}$		$V_{CCB}=1.2V \pm 0.1V^{(1)}$		$V_{CCB}=1.5V \pm 0.1V^{(1)}$		$V_{CCB}=1.8V \pm 0.15V^{(1)}$		$V_{CCB}=2.5V \pm 0.2V^{(1)}$		$V_{CCB}=3.3V \pm 0.3V^{(1)}$		UNIT
			MIN	MAX	MIN	MAX	MIN	MAX	MIN	MAX	MIN	MAX	MIN	MAX	
t _{PLH}	An	Bn	6.3	19.8	4.1	15.2	3.7	13.1	3.4	11.9	3.1	11.0	3.1	10.2	ns
t _{PHL}			4.3	14.0	3.5	11.3	3.2	10.5	3.1	9.8	2.9	9.3	2.9	9.2	
t _{PLH}	Bn	An	4.9	15.6	3.8	12.2	3.5	11.1	3.3	10.7	3.1	10.1	2.9	9.9	ns
t _{PHL}			4.8	15.8	3.8	12.5	3.5	11.7	3.3	10.8	3.0	10.2	3.0	9.6	
t _{PZH}	\overline{OE}	An	7.1	31.8	4.7	20.6	3.6	17.9	3.2	13.2	2.9	11.9	2.7	10.7	ns
t _{PZL}			4.4	18.6	3.0	13.5	2.6	11.1	2.5	10.1	2.3	9.15	1.9	8.4	
t _{PZH}	\overline{OE}	Bn	2.6	10.2	2.6	10.1	2.7	10.4	2.8	11.0	2.8	10.8	2.8	10.8	ns
t _{PZL}			5.1	20.9	5.8	20.6	5.3	20.3	5.7	20.3	5.8	20.4	5.8	20.4	
t _{PHZ}	\overline{OE}	An	6.9	29.9	5.9	27.2	5.2	22.8	5.4	23.1	4.7	18.5	5.9	21.5	ns
t _{PLZ}			5.1	28.8	4.5	20.6	4.3	18.2	4.8	21	4.2	17.9	5.0	20.1	
t _{PHZ}	\overline{OE}	Bn	5.6	21.5	5.5	19.7	5.7	20.4	5.1	20.1	5.0	19.7	5.3	20.6	ns
t _{PLZ}			2.1	8.55	2.0	8.6	2.0	8.6	1.8	8.7	2.0	8.4	2.0	8.6	

(1) This parameter is ensured by design and/or characterization and is not tested in production.

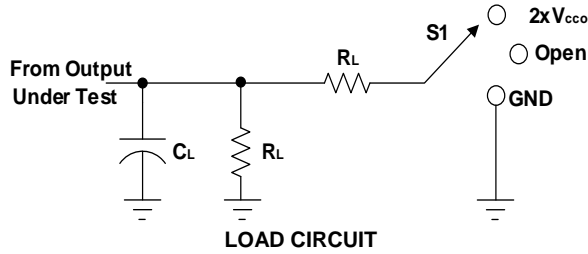
8.6 Operating Characteristics

 $T_A=25^{\circ}\text{C}$

PARAMETER		TEST CONDITIONS	$V_{CCA}=$ $V_{CCB}=0.9\text{V}$	$V_{CCA}=$ $V_{CCB}=1.2\text{V}$	$V_{CCA}=$ $V_{CCB}=1.5\text{V}$	$V_{CCA}=$ $V_{CCB}=1.8\text{V}$	$V_{CCA}=$ $V_{CCB}=2.5\text{V}$	$V_{CCA}=$ $V_{CCB}=3.3\text{V}$	UNIT
			TYP	TYP	TYP	TYP	TYP	TYP	
$C_{pdA}^{(1)}$	A-port input, B-port output	$C_L=0,$ $f=10\text{MHz},$ $t_r=t_f=1\text{ns}$	2	2	2	3	3	5	pF
	B-port input, A-port output		15	18	22	25	28	32	
$C_{pdB}^{(1)}$	A-port input, B-port output		15	18	22	25	28	32	
	B-port input, A-port output		2	2	2	3	3	5	

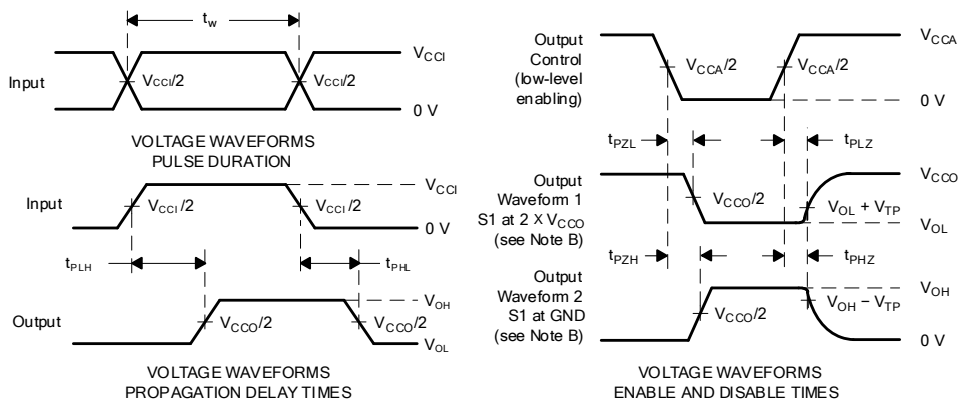
(1) Power dissipation capacitance per transceiver.

9 Parameter Measurement Information



TEST	S1
t _{pd}	Open
t _{PLZ} /t _{PZL}	2 x V _{CCO}
t _{PHZ} /t _{PZH}	GND

V _{CC}	C _L	R _L	V _{TP}
1.2V±0.1V	15pF	2kΩ	0.1V
1.5V±0.1V	15pF	2kΩ	0.1V
1.8V±0.15V	15pF	2kΩ	0.15V
2.5V±0.2V	15pF	2kΩ	0.15V
3.3V±0.3V	15pF	2kΩ	0.3V



NOTES: A. C_L includes probe and jig capacitance.

B. Waveform 1 is for an output with internal conditions such that the output is low, except when disabled by the output control.

Waveform 2 is for an output with internal conditions such that the output is high, except when disabled by the output control.

C. All input pulses are supplied by generators having the following characteristics: PRR ≤ 10 MHz, Z_O = 50 Ω, dv/dt ≥ 1V/ns.

D. The outputs are measured one at a time, with one transition per measurement.

E. t_{PLZ} and t_{PHZ} are the same as t_{dis}.

F. t_{PZL} and t_{PZH} are the same as t_{en}.

G. t_{PLH} and t_{PHL} are the same as t_{pd}.

H. All parameters and waveforms are not applicable to all devices.

Figure 1. Load Circuit and Voltage Waveforms

10 Application and Implementation

Information in the following applications sections is not part of the Runic component specification, and Runic does not warrant its accuracy or completeness. Runic's customers are responsible for determining suitability of components for their purposes. Customers should validate and test their design implementation to confirm system functionality.

10.1 Application Information

The RS4T774 device can be used in level-translation applications for interfacing devices or systems operating at different interface voltages with one another. The maximum output current can be up to 12 mA when device is powered by 3.3 V.

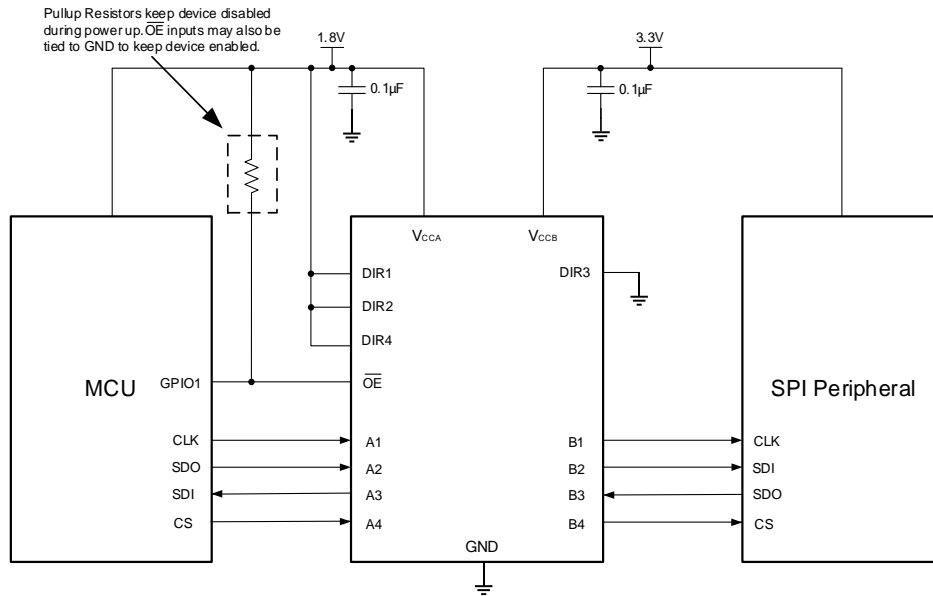
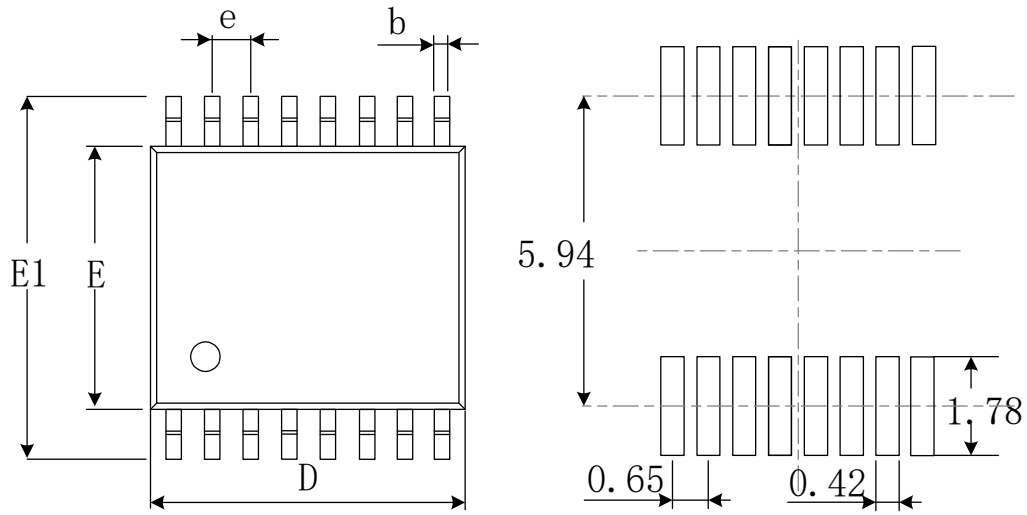
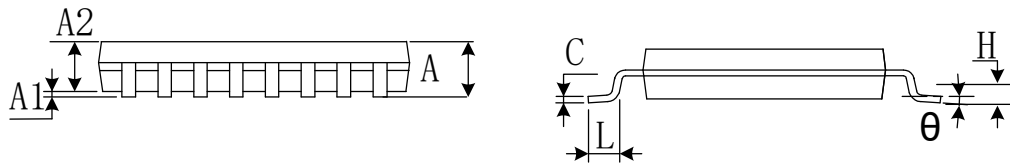


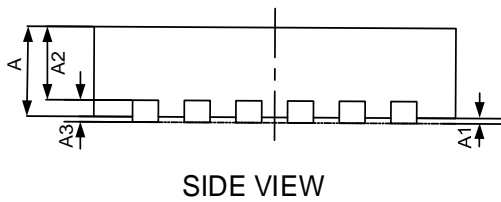
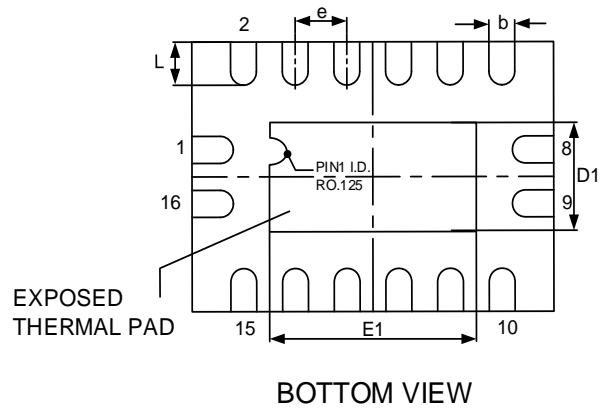
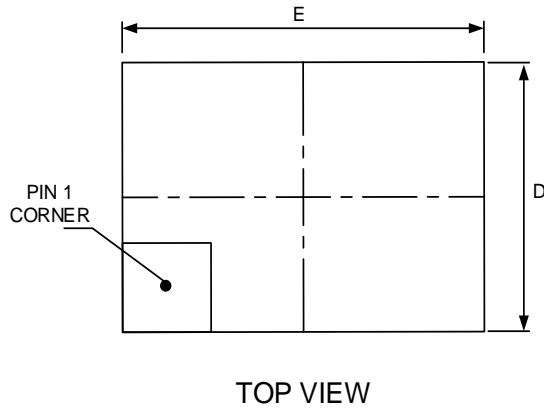
Figure 2. Typical Application Circuit

10.2 Power Supply Recommendations

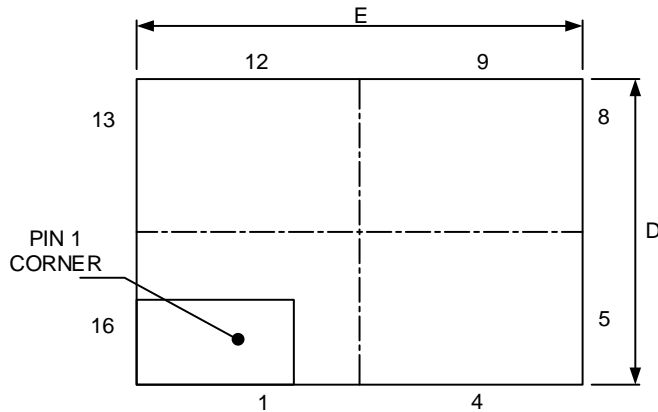
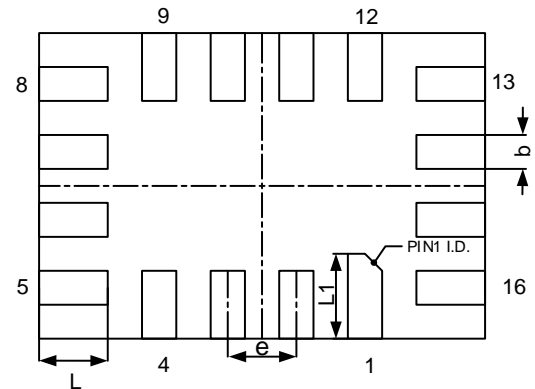
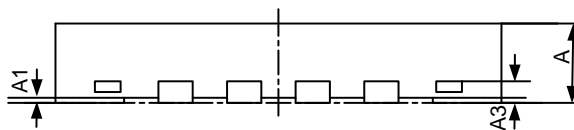
The output-enable \overline{OE} input circuit is designed so that it is supplied by V_{CCA} and when the \overline{OE} input is high, all outputs are placed in the high-impedance state. To ensure the high-impedance state of the outputs during power-up or power-down, the \overline{OE} input pin must be tied to V_{CCA} through a pullup resistor and must not be enabled until V_{CCA} and V_{CCB} are fully ramped and stable. The minimum value of the pullup resistor to V_{CCA} is determined by the current-sinking capability of the driver.

11 PACKAGE OUTLINE DIMENSIONS
TSSOP-16

RECOMMENDED LAND PATTERN (Unit: mm)


Symbol	Dimensions In Millimeters		Dimensions In Inches	
	Min	Max	Min	Max
A		1.200		0.047
A1	0.050	0.150	0.002	0.006
A2	0.900	1.050	0.035	0.041
b	0.200	0.280	0.007	0.011
c	0.130	0.170	0.005	0.007
D	4.900	5.100	0.192	0.201
E	4.300	4.500	0.169	0.177
E1	6.200	6.600	0.244	0.260
e	0.650(BSC)		0.026(BSC)	
L	0.450	0.750	0.018	0.030
H	0.250 TYP		0.010 TYP	
θ	0°	8°	0°	8°

QFN2.5x3.5-16L


Symbol	Dimensions In Millimeters		Dimensions In Inches	
	Min	Max	Min	Max
A	0.700	0.800	0.027	0.032
A1	0.000	0.050	0.000	0.002
A2	0.600	0.700	0.023	0.028
A3	0.203(REF)		0.008(REF)	
D	2.400	2.600	0.094	0.102
E	3.400	3.600	0.134	0.142
e	0.500(BSC)		0.020(BSC)	
b	0.200	0.300	0.007	0.012
L	0.300	0.500	0.012	0.020
D1	0.850	1.150	0.033	0.045
E1	1.850	2.150	0.073	0.085

QFN2.6x1.8-16L

TOP VIEW

BOTTOM VIEW

SIDE VIEW

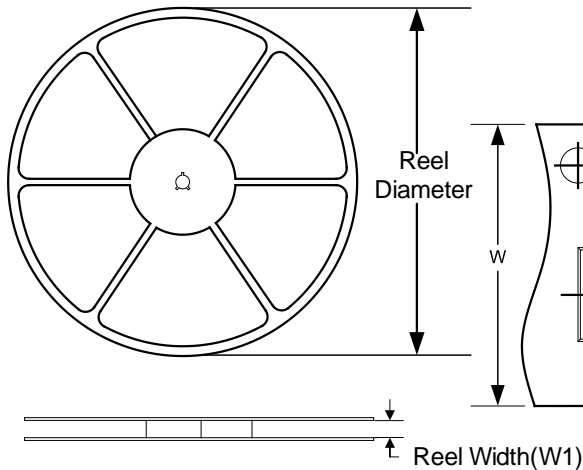
Symbol	Dimensions In Millimeters		Dimensions In Inches	
	Min	Max	Min	Max
A	0.450	0.550	0.018	0.022
A1	0.000	0.046	0.000	0.002
A3	0.110(REF)		0.004(REF)	
b	0.150	0.250	0.006	0.010
E	2.550	2.650	0.100	0.104
D	1.750	1.850	0.069	0.073
e	0.400(TYP)		0.016(TYP)	
L	0.350	0.450	0.014	0.018
L1	0.450	0.550	0.018	0.022

NOTE:

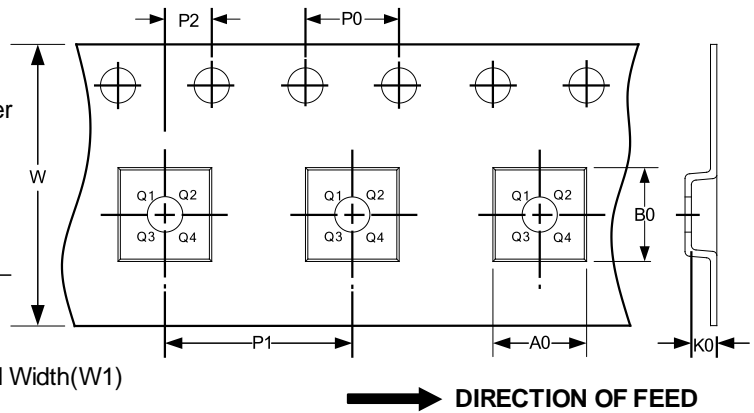
- A. All linear dimension is in millimeters.
- B. This drawing is subject to change without notice.
- C. Body dimensions do not include mold flash or protrusion. Mold flash and protrusion shall not exceed 0.15 per side.
- D. BSC: Basic Dimension. Theoretically exact value shown without tolerances.
- E. REF: Reference Dimension, usually without tolerance, for information purposes only.

12 TAPE AND REEL INFORMATION

REEL DIMENSIONS



TAPE DIMENSION



NOTE: The picture is only for reference. Please make the object as the standard.

KEY PARAMETER LIST OF TAPE AND REEL

Package Type	Reel Diameter	Reel Width (mm)	A0 (mm)	B0 (mm)	K0 (mm)	P0 (mm)	P1 (mm)	P2 (mm)	W (mm)	Pin1 Quadrant
TSSOP-16	13"	12.4	6.90	5.60	1.20	4.0	8.0	2.0	12.0	Q1
QFN2.5x3.5-16L	13"	12.3	2.80	3.80	1.15	4.0	8.0	2.0	12.0	Q1
QFN2.6x1.8-16L	7"	8.3	2.10	2.90	0.75	4.0	4.0	2.0	8.0	Q1

NOTE:

1. All dimensions are nominal.
2. Plastic or metal protrusions of 0.15mm maximum per side are not included.

IMPORTANT NOTICE AND DISCLAIMER

Jiangsu Runic Technology Co., Ltd. will accurately and reliably provide technical and reliability data (including data sheets), design resources (including reference designs), application or other design advice, WEB tools, safety information and other resources, without warranty of any defect, and will not make any express or implied warranty, including but not limited to the warranty of merchantability Implied warranty that it is suitable for a specific purpose or does not infringe the intellectual property rights of any third party.

These resources are intended for skilled developers designing with Runic products You will be solely responsible for: (1) Selecting the appropriate products for your application; (2) Designing, validating and testing your application; (3) Ensuring your application meets applicable standards and any other safety, security or other requirements; (4) Runic and the Runic logo are registered trademarks of Runic Incorporated. All trademarks are the property of their respective owners; (5) For change details, review the revision history included in any revised document. The resources are subject to change without notice. Our company will not be liable for the use of this product and the infringement of patents or third-party intellectual property rights due to its use.