

RS1G175 Single D-Type Flip-Flop with Asynchronous Clear

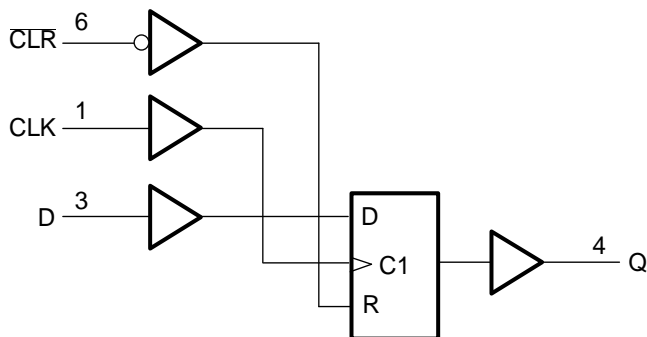
1 FEATURES

- **Operating Voltage Range:** 1.65V to 5.5V
- **Low Power Consumption:** 10 μ A (Max)
- **Operating Temperature Range:** -40°C to +125°C
- **Inputs Accept Voltage to 5.5V**
- **High Output Drive:** \pm 24mA at V_{CC} =3.0V
- **I_{off} Supports Live Insertion, Partial-Power-Down Mode, and Back-Drive Protection**
- **Micro SIZE PACKAGES:** SOT23-6, SOT363(SC70-6)

2 APPLICATIONS

- Enterprise Switching
- Telecom Infrastructure
- Servers
- Medical Healthcare and Fitness
- PC/Notebook
- Motor Drives

Logic Diagram (Positive Logic)



3 DESCRIPTIONS

The RS1G175 single D-type flip-flop is designed for 1.65V to 5.5V V_{CC} operation.

The RS1G175 device has an asynchronous clear (\overline{CLR}) input. When \overline{CLR} is high, data from the input pin (D) is transferred to the output pin (Q) on the clock's (CLK) rising edge. When \overline{CLR} is low, Q is forced into the low state, regardless of the clock edge or data on D.

The RS1G175 is fully specified for partial-power-down applications using I_{off} . The I_{off} circuitry disables the outputs, preventing damaging current backflow through the device when it is powered down.

This device available in Green SOT23-6 and SOT363(SC70-6) packages. It operates over an ambient temperature range of -40°C to +125°C.

Device Information (1)

PART NUMBER	PACKAGE	BODY SIZE (NOM)
RS1G175	SOT363 (SC70-6)	2.10mmx1.25mm
	SOT23-6(6)	1.60mmx2.92mm

(1) For all available packages, see the orderable addendum at the end of the data sheet.

Table of Contents

1 FEATURES	1
2 APPLICATIONS	1
3 DESCRIPTIONS	1
4 Revision History	3
5 PACKAGE/ORDERING INFORMATION ⁽¹⁾	4
6 PIN CONFIGURATIONS	5
6.1 PIN DESCRIPTION	5
6.2 FUNCTION TABLE	5
7 SPECIFICATIONS	6
7.1 Absolute Maximum Ratings ⁽¹⁾	6
7.2 ESD Ratings	6
8 ELECTRICAL CHARACTERISTICS	7
8.1 Recommended Operating Conditions	7
8.2 DC Characteristics	8
8.3 Timing Requirements	8
8.4 Switching Characteristics	9
8.5 Switching Characteristics	9
8.6 Operating Characteristics	9
8.7 TYPICAL CHARACTERISTICS	9
9 Parameter Measurement Information	10
10 Detailed Description	11
10.1 Overview	11
10.2 Functional Block Diagram	11
10.3 Feature Description	11
11 Application and Implementation	12
11.1 Application Information	12
11.2 Typical Application	12
11.3 Design Requirements	12
12 Power Supply Recommendations	12
13 Layout	13
13.1 Layout Guidelines	13
13.2 Layout Example	13
14 PACKAGE OUTLINE DIMENSIONS	14
15 TAPE AND REEL INFORMATION	16

4 Revision History

Note: Page numbers for previous revisions may differ from page numbers in the current version.

Version	Change Date	Change Item
A.0	2023/05/09	Preliminary version completed
A.1	2023/06/28	Update Timing Requirements and Switching Characteristics

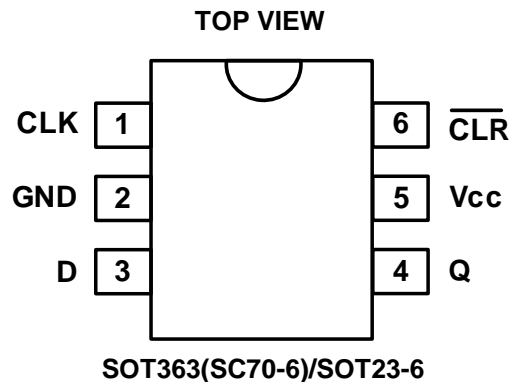
5 PACKAGE/ORDERING INFORMATION ⁽¹⁾

PRODUCT	ORDERING NUMBER	TEMPERATURE RANGE	PACKAGE LEAD	PACKAGE MARKING ⁽²⁾	PACKAGE OPTION
RS1G175	RS1G175XC6	-40°C ~+125°C	SOT363(SC70-6)	1G175	Tape and Reel,3000
	RS1G175XH6	-40°C ~+125°C	SOT23-6	1G175	Tape and Reel,3000

NOTE:

- (1) This information is the most current data available for the designated devices. This data is subject to change without notice and revision of this document. For browser-based versions of this data sheet, refer to the right-hand navigation.
- (2) There may be additional marking, which relates to the lot trace code information (data code and vendor code), the logo or the environmental category on the device.

6 PIN CONFIGURATIONS



6.1 PIN DESCRIPTION

PIN	NAME	I/O TYPE ⁽¹⁾	FUNCTION
SOT363(SC70-6)/SOT23-6			
1	CLK	I	Clock Input
2	GND	P	Ground
3	D	I	Input
4	Q	O	Output
5	V _{CC}	P	Power pin
6	$\overline{\text{CLR}}$	I	Clear Data Input

(1) I=input, O=output, P=power.

6.2 FUNCTION TABLE

INPUTS			OUTPUT
$\overline{\text{CLR}}$	CLK	D	Q
H	↑	L	L
H	↑	H	H
H	H or L	X	Q ₀
L	X	X	L

(1) H=High Voltage Level
L=Low Voltage Level
X=Don't Care

7 SPECIFICATIONS

7.1 Absolute Maximum Ratings ⁽¹⁾

over operating free-air temperature range (unless otherwise noted) ⁽¹⁾ ⁽²⁾

		MIN	MAX	UNIT
V _{CC}	Supply voltage range	-0.5	6.5	V
V _I	Input voltage range ⁽²⁾	-0.5	6.5	V
V _O	Voltage range applied to any output in the high-impedance or power-off state ⁽²⁾	-0.5	6.5	V
V _O	Voltage range applied to any output in the high or low state ⁽²⁾ ⁽³⁾	-0.5	V _{CC} +0.5	V
I _{IK}	Input clamp current		-50	mA
I _{OK}	Output clamp current		-50	mA
I _O	Continuous output current		±50	mA
	Continuous current through V _{CC} or GND		±100	mA
θ _{JA}	Package thermal impedance ⁽⁴⁾	SOT363(SC70-6)	265	°C/W
		SOT23-6	230	
T _J	Junction temperature ⁽⁵⁾	-65	150	°C
T _{stg}	Storage temperature	-65	150	°C

- (1) Stresses beyond those listed under *Absolute Maximum Ratings* may cause permanent damage to the device. These are stress ratings only, and functional operation of the device at these or any other conditions beyond those indicated under *Recommended Operating Conditions* is not implied. Exposure to absolute-maximum-rated conditions for extended periods may affect device reliability.
- (2) The input and output negative-voltage ratings may be exceeded if the input and output current ratings are observed.
- (3) The value of V_{CC} is provided in the *Recommended Operating Conditions table*.
- (4) The package thermal impedance is calculated in accordance with JESD-51.
- (5) The maximum power dissipation is a function of T_{J(MAX)}, R_{θJA}, and T_A. The maximum allowable power dissipation at any ambient temperature is P_D = (T_{J(MAX)} - T_A) / R_{θJA}. All numbers apply for packages soldered directly onto a PCB.

7.2 ESD Ratings

The following ESD information is provided for handling of ESD-sensitive devices in an ESD protected area only.

		VALUE	UNIT
V _(ESD)	Electrostatic discharge		V
	Human-body model (HBM)	±2000	
	Charged-device model (CDM)	±1000	
	Machine model (MM)	±200	



ESD SENSITIVITY CAUTION

ESD damage can range from subtle performance degradation to complete device failure. Precision integrated circuits may be more susceptible to damage because very small parametric changes could cause the device not to meet its published specifications.

8 ELECTRICAL CHARACTERISTICS

over recommended operating free-air temperature range (TYP values are at $T_A = +25^{\circ}\text{C}$, Full= -40°C to 125°C , unless otherwise noted.) ⁽¹⁾

8.1 Recommended Operating Conditions

PARAMETER	SYMBOL	TEST CONDITIONS	MIN	MAX	UNIT
Supply voltage	V_{CC}	Operating	1.65	5.5	V
High-level input voltage	V_{IH}	$V_{CC}=1.65\text{V to }1.95\text{V}$	$0.75 \times V_{CC}$		V
		$V_{CC}=2.3\text{V to }2.7\text{V}$	1.7		
		$V_{CC}=3\text{V to }3.6\text{V}$	2		
		$V_{CC}=4.5\text{V to }5.5\text{V}$	$0.7 \times V_{CC}$		
Low-level input voltage	V_{IL}	$V_{CC}=1.65\text{V to }1.95\text{V}$		$0.25 \times V_{CC}$	V
		$V_{CC}=2.3\text{V to }2.7\text{V}$		0.7	
		$V_{CC}=3\text{V to }3.6\text{V}$		0.8	
		$V_{CC}=4.5\text{V to }5.5\text{V}$		$0.3 \times V_{CC}$	
Input voltage	V_I		0	5.5	V
Output voltage	V_O		0	V_{CC}	V
High-level output current	I_{OH}	$V_{CC}=1.65\text{V}$		-4	mA
		$V_{CC}=2.3\text{V}$		-8	
		$V_{CC}=3\text{V}$		-16	
				-24	
		$V_{CC}=4.5\text{V}$		-32	
Low-level output current	I_{OL}	$V_{CC}=1.65\text{V}$		4	mA
		$V_{CC}=2.3\text{V}$		8	
		$V_{CC}=3\text{V}$		16	
				24	
		$V_{CC}=4.5\text{V}$		32	
Input transition rise or fall	$\Delta t / \Delta v$	$V_{CC}=1.8\text{V} \pm 0.15\text{V}, 2.5\text{V} \pm 0.2\text{V}$		20	ns/V
		$V_{CC}=3.3\text{V} \pm 0.3\text{V}$		10	
		$V_{CC}=5\text{V} \pm 0.5\text{V}$		10	
Operating temperature	T_A		-40	+125	$^{\circ}\text{C}$

(1) All unused inputs of the device must be held at V_{CC} or GND to ensure proper device operation.

8.2 DC Characteristics

PARAMETER		TEST CONDITIONS	V _{CC}	TEMP	MIN ⁽²⁾	TYP ⁽³⁾	MAX ⁽²⁾	UNIT
V _{OH}		I _{OH} = -100μA	1.65V to 5.5V	Full	V _{CC} -0.1			V
		I _{OH} = -4mA	1.65V		1.2			
		I _{OH} = -8mA	2.3V		1.9			
		I _{OH} = -16mA	3V		2.4			
		I _{OH} = -24mA			2.3			
		I _{OH} = -32mA	4.5V		3.8			
V _{OL}		I _{OL} = 100μA	1.65V to 5.5V	Full			0.1	V
		I _{OL} = 4mA	1.65V				0.45	
		I _{OL} = 8mA	2.3V				0.3	
		I _{OL} = 16mA	3V				0.4	
		I _{OL} = 24mA					0.55	
		I _{OL} = 32mA	4.5V				0.55	
I _I	Data or control inputs	V _I =5.5V or GND	0V to 5.5V	+25°C		±0.1	±1	μA
				Full			±5	
	I _{off}	V _I or V _O =5.5V	0	+25°C		±0.1	±1	μA
				Full			±10	
	I _{CC}	V _I =5.5V or GND, I _O =0	1.65V to 5.5V	+25°C		0.1	1	μA
				Full			10	
	ΔI _{CC}	One input at V _{CC} -0.6V, Other inputs at V _{CC} or GND	3V to 5.5V	Full			500	μA
	C _i (Input Capacitance)	V _I = V _{CC} or GND	3.3V	+25°C		5.5		pF

(1) All unused inputs of the device must be held at V_{CC} or GND to ensure proper device operation.

(2) Limits are 100% production tested at 25°C. Limits over the operating temperature range are ensured through correlations using statistical quality control (SQC) method.

(3) Typical values represent the most likely parametric norm as determined at the time of characterization. Actual typical values may vary over time and will also depend on the application and configuration.

8.3 Timing Requirements

over recommended operating free-air temperature range (unless otherwise noted) ⁽¹⁾

PARAMETER	FROM (INPUT)	TO (OUTPUT)	TEMP	V _{CC} =1.8V ± 0.15V		V _{CC} =2.5V ± 0.2V		V _{CC} =3.3V ± 0.3V		V _{CC} =5V ± 0.5V		UNIT
				MIN	MAX	MIN	MAX	MIN	MAX	MIN	MAX	
f _{clock}			-40°C to 85°C		30		65		100		155	MHz
			-40°C to 125°C						100		155	
t _w	CLK High or low		-40°C to 85°C	8		4		3		2		ns
			-40°C to 125°C					3		2		
	CLR low		-40°C to 85°C	12		5		3.4		2		
			-40°C to 125°C					3.4		2		
t _{su}	Data		-40°C to 85°C	10.4		4.6		3.2		2		
			-40°C to 125°C					3.2		2		
	CLR inactive		-40°C to 85°C	8.4		3.8		2.6		1.8		
			-40°C to 125°C					2.6		1.8		
t _h			-40°C to 85°C	0.5		0.5		0.5		0.5		
			-40°C to 125°C					0.5		0.5		

(1) This parameter is ensured by design and/or characterization and is not tested in production.

8.4 Switching Characteristics

over recommended operating free-air temperature range, $C_L = 15\text{ pF}$ (unless otherwise noted) ⁽¹⁾

PARAMETER	FROM (INPUT)	TO (OUTPUT)	TEMP	$V_{CC}=1.8V \pm 0.15V$		$V_{CC}=2.5V \pm 0.2V$		$V_{CC}=3.3V \pm 0.3V$		$V_{CC}=5V \pm 0.5V$		UNIT
				MIN	MAX	MIN	MAX	MIN	MAX	MIN	MAX	
f_{max}			-40°C to 85°C	30		65		100		155		MHz
t_{pd}	CLK	Q	-40°C to 85°C	2.5	25.5	2	13	1.4	9.5	1	7	ns
	\overline{CLR}	Q	-40°C to 85°C	2.5	23	2	10	1.2	7.5	1	6	

(1) This parameter is ensured by design and/or characterization and is not tested in production.

8.5 Switching Characteristics

over recommended operating free-air temperature range, $C_L = 30\text{ pF}$ or 50 pF (unless otherwise noted) ⁽¹⁾

PARAMETER	FROM (INPUT)	TO (OUTPUT)	TEMP	$V_{CC}=1.8V \pm 0.15V$		$V_{CC}=2.5V \pm 0.2V$		$V_{CC}=3.3V \pm 0.3V$		$V_{CC}=5V \pm 0.5V$		UNIT
				MIN	MAX	MIN	MAX	MIN	MAX	MIN	MAX	
f_{max}			-40°C to 85°C	30		65		100		155		MHz
			-40°C to 125°C					100		155		
t_{pd}	CLK	Q	-40°C to 85°C	2.7	27.5	2.2	14.1	1.6	11	1.5	8.2	ns
			-40°C to 125°C	2.7	28.3	2.2	15	1.6	11.5	1.5	9	
	\overline{CLR}	Q	-40°C to 85°C	2.7	24.5	2.2	11	1.5	9	1.3	7	
			-40°C to 125°C	2.7	25	2.2	12	1.5	9.5	1.3	7.5	

(1) This parameter is ensured by design and/or characterization and is not tested in production.

8.6 Operating Characteristics

$T_A = +25^\circ\text{C}$

PARAMETER	TEST CONDITIONS	$V_{CC} = 1.8V$	$V_{CC} = 2.5V$	$V_{CC} = 3.3V$	$V_{CC} = 5V$	UNIT
		TYP	TYP	TYP	TYP	
C_{pd} Power dissipation capacitance	$f = 10\text{ MHz}$	12	16	21	24	pF

8.7 TYPICAL CHARACTERISTICS

NOTE: The graphs and tables provided following this note are a statistical summary based on a limited number of samples and are provided for informational purposes only.

At $T_A = +25^\circ\text{C}$, unless otherwise noted.

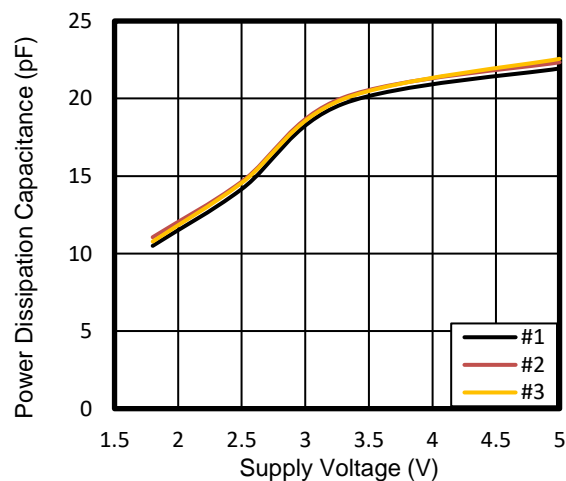
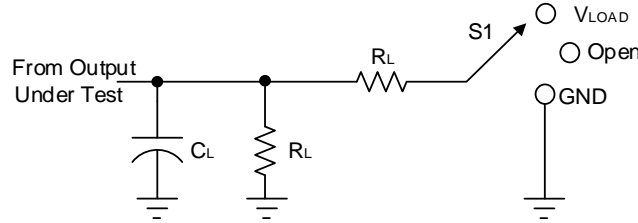


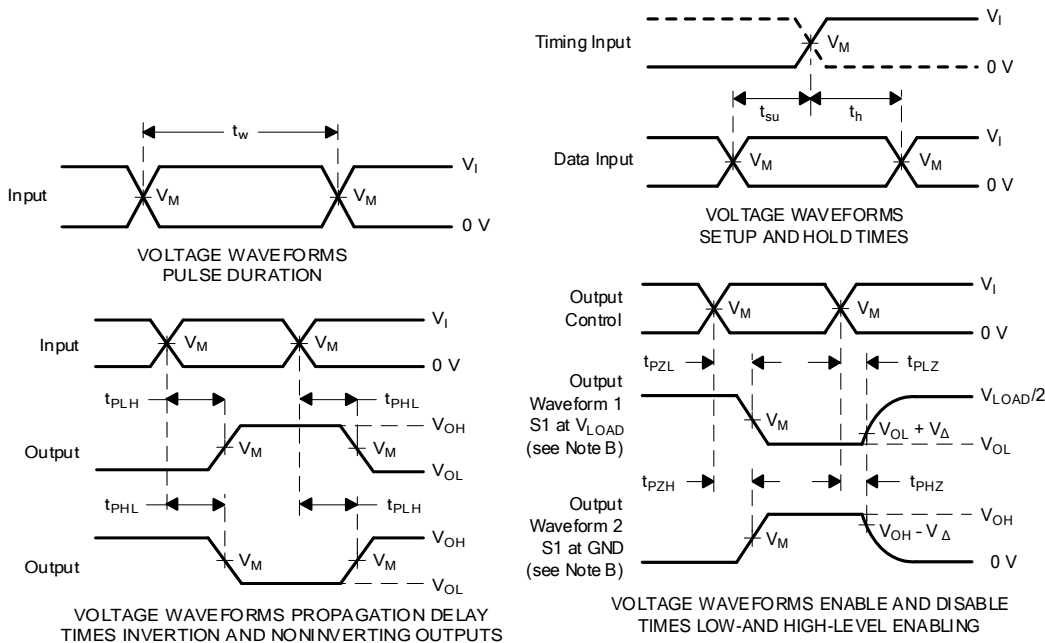
Figure 1. Voltage vs Capacitance

9 Parameter Measurement Information



TEST	S1
t_{PLH}/t_{PHL}	Open
t_{PLZ}/t_{PZL}	V_{LOAD}
t_{PHZ}/t_{PZH}	GND

V_{CC}	INPUTS		V_M	V_{LOAD}	C _L		R _L		V_{Δ}
	V_I	t_r/t_f							
1.8V±0.15V	V_{CC}	≤2ns	$V_{CC}/2$	2 x V_{CC}	15pF	30pF	1MΩ	1kΩ	0.15V
2.5V±0.2V	V_{CC}	≤2ns	$V_{CC}/2$	2 x V_{CC}	15pF	30pF	1MΩ	500Ω	0.15V
3.3V±0.3V	3V	≤2.5ns	1.5V	6V	15pF	50pF	1MΩ	500Ω	0.3V
5V±0.5V	V_{CC}	≤2.5ns	$V_{CC}/2$	2 x V_{CC}	15pF	50pF	1MΩ	500Ω	0.3V



- NOTES: A. C_L includes probe and jig capacitance.
 B. Waveform 1 is for an output with internal conditions such that the output is low, except when disabled by the output control. Waveform 2 is for an output with internal conditions such that the output is high, except when disabled by the output control.
 C. All input pulses are supplied by generators having the following characteristics: $PRR \leq 10$ MHz, $Z_o = 50 \Omega$.
 D. The outputs are measured one at a time, with one transition per measurement.
 E. t_{PLZ} and t_{PHZ} are the same as t_{dis} .
 F. t_{PZL} and t_{PZH} are the same as t_{en} .
 G. t_{PLH} and t_{PHL} are the same as t_{pd} .
 H. All parameters and waveforms are not applicable to all devices.

Figure 2. Load Circuit and Voltage Waveforms

10 Detailed Description

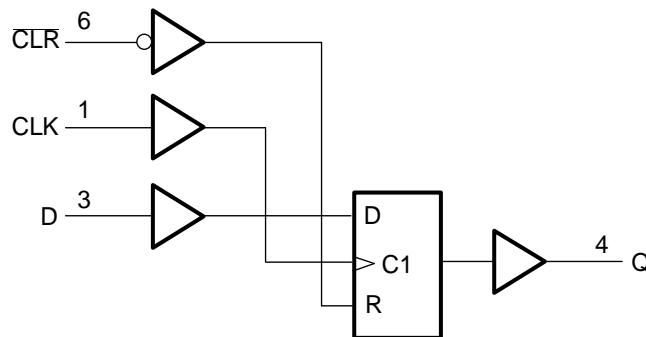
10.1 Overview

This single D-type flip-flop is designed for 1.65V to 5.5V V_{CC} operation.

The RS1G175 device has an asynchronous clear (\overline{CLR}) input. When \overline{CLR} is high, data from the input pin (D) is transferred to the output pin (Q) on the clock's (CLK) rising edge. When \overline{CLR} is low, Q is forced into the low state, regardless of the clock edge or data on D.

This device is fully specified for partial-power-down applications using I_{off} . The I_{off} circuitry disables the outputs, preventing damaging current backflow through the device when it is powered down.

10.2 Functional Block Diagram



10.3 Feature Description

The RS1G175 device has a wide operating V_{CC} range of 1.65 V to 5.5 V, which allows it to be used in a broad range of systems. The 5.5V I/Os allow down translation and also allow voltages at the inputs when $V_{CC} = 0$.

11 Application and Implementation

Information in the following applications sections is not part of the Runic component specification, and Runic does not warrant its accuracy or completeness. Runic's customers are responsible for determining suitability of components for their purposes. Customers should validate and test their design implementation to confirm system functionality.

11.1 Application Information

Multiple RS1G175 devices can be used in tandem to create a shift register of arbitrary length. In this example, we use four RS1G175 devices to form a 4-bit serial shift register. By connecting all CLK inputs to a common clock pulse and tying each output of one device to the next, we can store and load 4-bit values on demand. We demonstrate loading the 4-bit value 1101 into memory by setting Serial Input Data to each desired memory bit, and by sending a clock pulse for each bit, we sequentially move all stored bits from left to right (A → B → C → D)

11.2 Typical Application

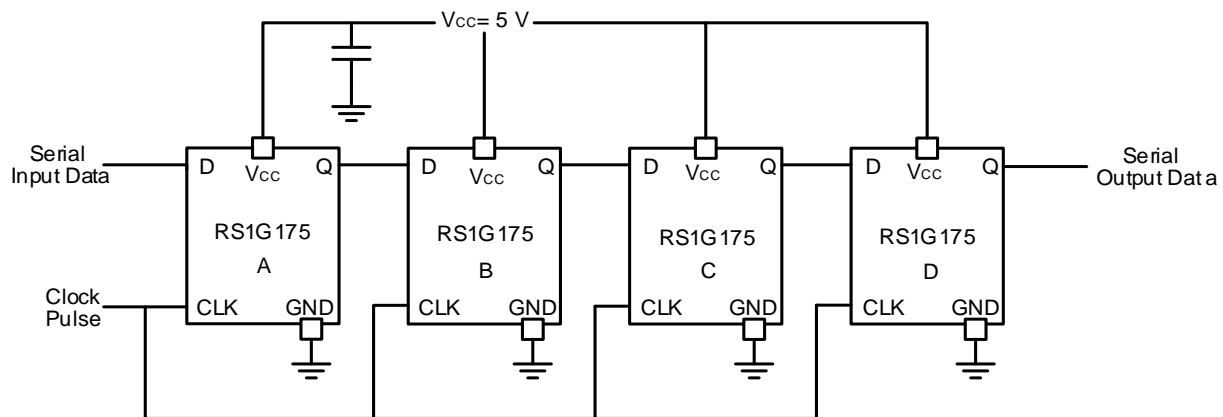


Figure 3. 4-Bit Serial Shift Register

Table 1. Stored Data Values

Serial Input Data	Stored A	Stored B	Stored C	Stored D
1	0	0	0	0
0	1	0	0	0
1	0	1	0	0
1	1	0	1	0
0	1	1	0	1

11.3 Design Requirements

The RS1G175 device uses CMOS technology and has balanced output drive. Care must be taken to avoid bus contention because it can drive currents that would exceed maximum limits. The RS1G175 allows storing digital signals with a digital control signal. All input signals should remain as close as possible to either 0 V or V_{CC} for optimal operation.

12 Power Supply Recommendations

The power supply pin should have a good bypass capacitor to prevent power disturbance. For devices with a single supply, a 0.1uF capacitor is recommended and if there are multiple V_{CC} terminals then 0.01uF or 0.022uF capacitors are recommended for each power terminal. It is acceptable to parallel multiple bypass caps to reject different frequencies of noise. The 0.1uF and 1uF capacitors are commonly used in parallel. The bypass capacitor should be installed as close to the power terminal as possible.

13 Layout

13.1 Layout Guidelines

When using multiple bit logic devices, inputs should not float. In many cases, functions or parts of functions of digital logic devices are unused. Some examples are when only two inputs of a triple-input AND gate are used, or when only 3 of the 4-buffer gates are used. Such input pins should not be left unconnected because the undefined voltages at the outside connections result in undefined operational states.

Specified in Figure 4 are rules that must be observed under all circumstances. All unused inputs of digital logic devices must be connected to a high or low bias to prevent them from floating. The logic level that should be applied to any particular unused input depends on the function of the device. Generally they will be tied to GND or V_{CC} , whichever makes more sense or is more convenient. It is acceptable to float outputs unless the part is a transceiver. If the transceiver has an output enable pin, it will disable the outputs section of the part when asserted. This will not disable the input section of the I/Os so they also cannot float when disabled.

13.2 Layout Example

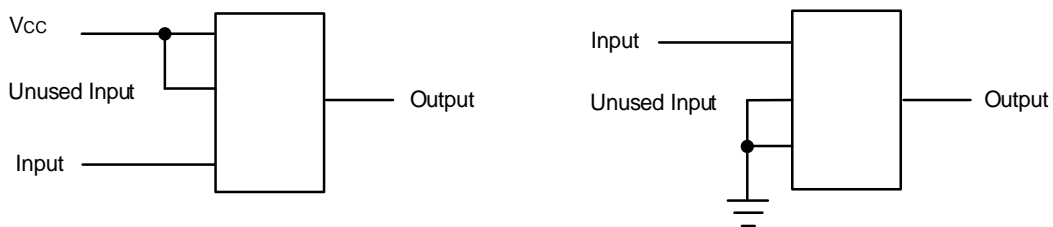
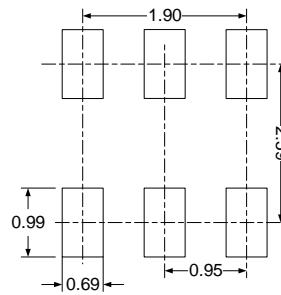
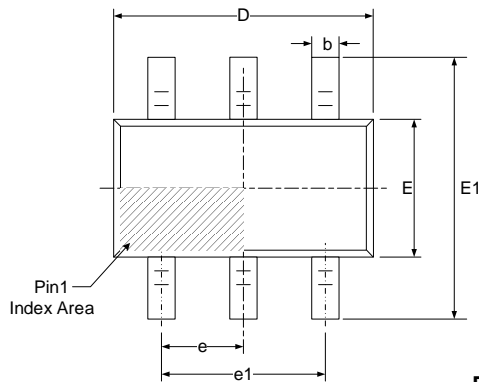
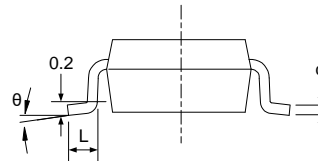
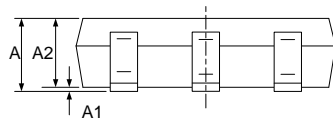


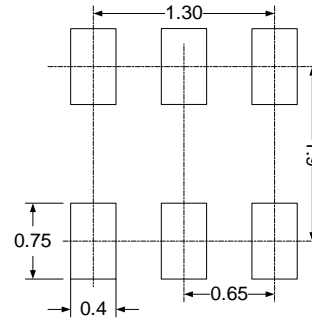
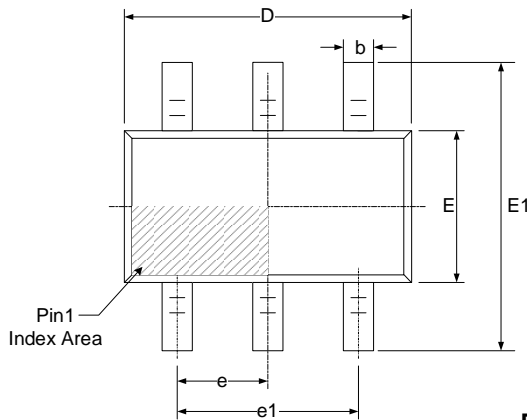
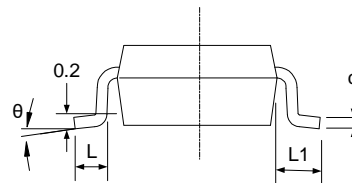
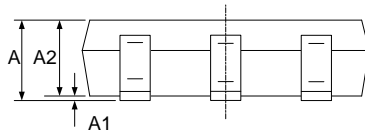
Figure 4. Layout Diagram

14 PACKAGE OUTLINE DIMENSIONS

SOT23-6


RECOMMENDED LAND PATTERN (Unit: mm)


Symbol	Dimensions In Millimeters		Dimensions In Inches	
	Min	Max	Min	Max
A	1.050	1.250	0.041	0.049
A1	0.000	0.100	0.000	0.004
A2	1.050	1.150	0.041	0.045
b	0.300	0.500	0.012	0.020
c	0.100	0.200	0.004	0.008
D	2.820	3.020	0.111	0.119
E	1.500	1.700	0.059	0.067
E1	2.650	2.950	0.104	0.116
e	0.950(BSC)		0.037(BSC)	
e1	1.800	2.000	0.071	0.079
L	0.300	0.600	0.012	0.024
θ	0°	8°	0°	8°

SOT363(SC70-6)

RECOMMENDED LAND PATTERN (Unit: mm)


Symbol	Dimensions In Millimeters		Dimensions In Inches	
	Min	Max	Min	Max
A	0.900	1.100	0.035	0.043
A1	0.000	0.100	0.000	0.004
A2	0.900	1.000	0.035	0.039
b	0.150	0.350	0.006	0.014
c	0.080	0.150	0.003	0.006
D	2.000	2.200	0.079	0.087
E	1.150	1.350	0.045	0.053
E1	2.150	2.450	0.085	0.096
e	0.650(BSC)		0.026(BSC)	
e1	1.300(BSC)		0.051(BSC)	
L	0.260	0.460	0.010	0.018
L1	0.525		0.021	
θ	0°	8°	0°	8°

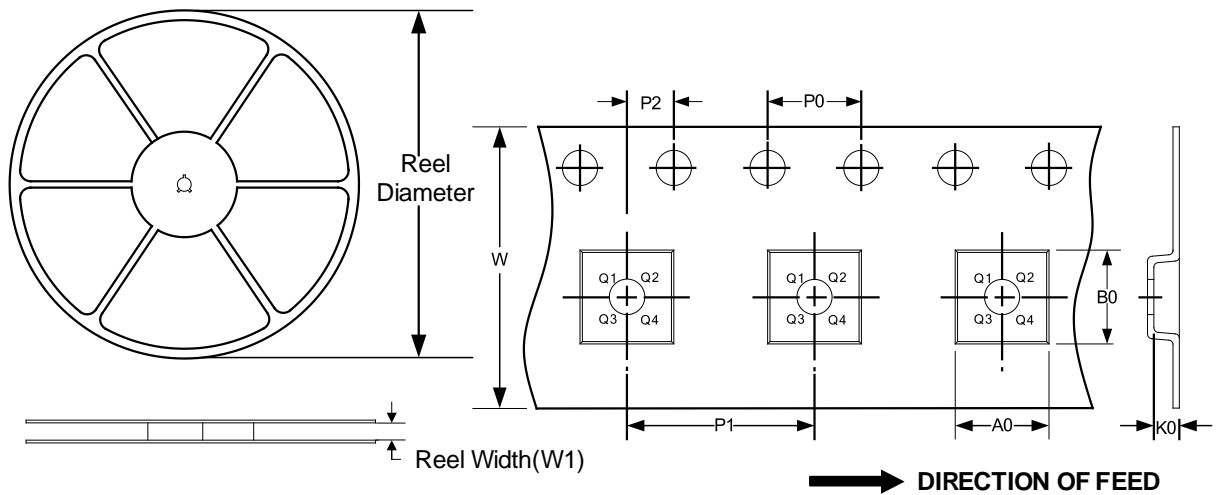
NOTE:

- A. All linear dimension is in millimeters.
- B. This drawing is subject to change without notice.
- C. Body dimensions do not include mold flash or protrusion. Mold flash and protrusion shall not exceed 0.15 per side.
- D. BSC: Basic Dimension. Theoretically exact value shown without tolerances.

15 TAPE AND REEL INFORMATION

REEL DIMENSIONS

TAPE DIMENSION



NOTE: The picture is only for reference. Please make the object as the standard.

KEY PARAMETER LIST OF TAPE AND REEL

Package Type	Reel Diameter	Reel Width(mm)	A0 (mm)	B0 (mm)	K0 (mm)	P0 (mm)	P1 (mm)	P2 (mm)	W (mm)	Pin1 Quadrant
SOT363(SC70-6)	7"	9.5	2.40	2.50	1.20	4.0	4.0	2.0	8.0	Q3
SOT23-6	7"	9.5	3.17	3.23	1.37	4.0	4.0	2.0	8.0	Q3

NOTE:

1. All dimensions are nominal.
2. Plastic or metal protrusions of 0.15mm maximum per side are not included.

IMPORTANT NOTICE AND DISCLAIMER

Jiangsu Runic Technology Co., Ltd. will accurately and reliably provide technical and reliability data (including data sheets), design resources (including reference designs), application or other design advice, WEB tools, safety information and other resources, without warranty of any defect, and will not make any express or implied warranty, including but not limited to the warranty of merchantability Implied warranty that it is suitable for a specific purpose or does not infringe the intellectual property rights of any third party.

These resources are intended for skilled developers designing with Runic products You will be solely responsible for: (1) Selecting the appropriate products for your application; (2) Designing, validating and testing your application; (3) Ensuring your application meets applicable standards and any other safety, security or other requirements; (4) Runic and the Runic logo are registered trademarks of Runic Incorporated. All trademarks are the property of their respective owners; (5) For change details, review the revision history included in any revised document. The resources are subject to change without notice. Our company will not be liable for the use of this product and the infringement of patents or third-party intellectual property rights due to its use.