

Bidirectional, Zero-Drift, High or Low Side, Voltage Output, Current Shunt Monitor

1 FEATURES

- **Wide Common-Mode Range: 0V to 26 V**
- **Input Offset Voltage: $\pm 100\mu\text{V}$ (TYP)**
- **Accuracy: (TYP)**
 - **Gain Error:**
 - $\pm 0.4\%$ (A Version)
 - $\pm 2\mu\text{V}/^\circ\text{C}$ Offset Drift
 - $10\text{ppm}/^\circ\text{C}$ Gain Drift
- **Choice of Gains:**
 - **RS199A: 50 V/V**
 - **RS199B: 100 V/V**
 - **RS199C: 200 V/V**
- **Quiescent Current: $72\mu\text{A}$ (TYP)**
- **Supply Range: +2.7V to +26V**
- **Operating Temperature Range: -40°C to $+125^\circ\text{C}$**
- **Micro SIZE PACKAGES: SOT363(SC70-6)**

2 APPLICATIONS

- **Notebook Computers**
- **Cell Phones**
- **Qi-Compliant Wireless Charging Transmitters**
- **Telecom Equipment**
- **Battery Chargers**
- **Power Management**

3 DESCRIPTIONS

The RS199 series of voltage-output, current-shunt monitors (also called current-sense amplifiers) are commonly used for overcurrent protection, precision current measurement for system optimization, or in closed-loop feedback circuits. This series of devices can sense drops across shunt resistors at common mode voltages from 0 V to 26 V, independent of the supply voltage. Three fixed gains are available: 50 V/V, 100 V/V, and 200 V/V. The low offset of the zero-drift architecture enables current sensing with maximum drops across the shunt as low as 10mV full-scale.

These devices operate from a single 2.7V to 26V power supply, drawing $72\mu\text{A}$ of supply current. The RS199 families of operational amplifiers are specified at the full temperature range of -40°C to 125°C , and offered in SOT363(SC70-6) packages.

Device Information⁽¹⁾

PART NUMBER	PACKAGE	BODY SIZE (NOM)
RS199	SOT363 (SC70-6)	2.10mmx1.25mm

(1) For all available packages, see the orderable addendum at the end of the data sheet.

4 Simplified Schematic

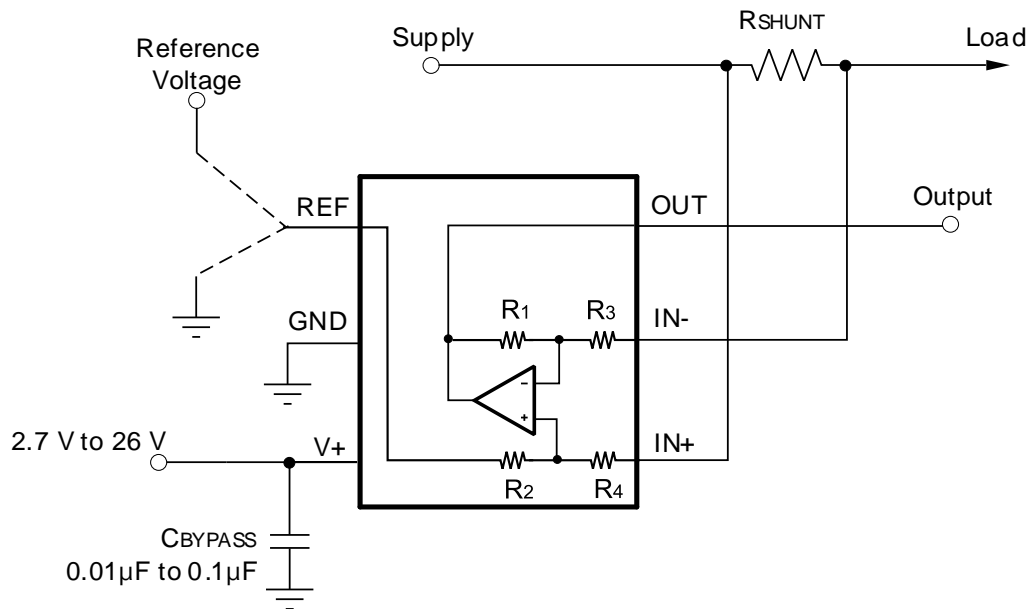


Table of Contents

1 FEATURES	1
2 APPLICATIONS	1
3 DESCRIPTIONS	1
4 Simplified Schematic	2
5 Revision History	4
6 PACKAGE/ORDERING INFORMATION ⁽¹⁾	5
7 Pin Configuration and Functions	6
7.1 Pin Description	6
7.2 Device Comparison Table	6
8 SPECIFICATIONS	7
8.1 Absolute Maximum Ratings	7
8.2 ESD Ratings	7
8.3 Recommended Operating Conditions	7
8.4 ELECTRICAL CHARACTERISTICS	8
8.5 TYPICAL CHARACTERISTICS	9
9 Detailed Description	10
9.1 Overview	11
9.2 Functional Block Diagram	11
9.3 Feature Description	12
9.3.1 Basic Connections	12
9.3.2 Selecting R _{SHUNT}	12
9.4 Device Functional Modes	12
9.4.1 Input Filtering	12
9.4.2 Shutting Down the RS199 Series	14
9.4.3 REF Input Impedance Effects	15
9.4.4 Using the RS199 With Common-Mode Transients Above 26V	15
9.4.5 Improving Transient Robustness	17
10 Application and Implementation	18
10.1 Application Information	18
10.2 Typical Applications	18
10.2.1 Unidirectional Operation	18
10.2.2 Design Requirements	18
10.2.3 Detailed Design Procedure	18
10.2.4 Bidirectional Operation	19
10.2.5 Design Requirements	19
10.2.6 Detailed Design Procedure	19
11 Power Supply Recommendations	20
12 PACKAGE OUTLINE DIMENSIONS	21
13 TAPE AND REEL INFORMATION	22

5 Revision History

Note: Page numbers for previous revisions may differ from page numbers in the current version.

Version	Change Date	Change Item
A.0	2022/11/22	Preliminary version completed
A.1	2023/04/19	Initial version completed

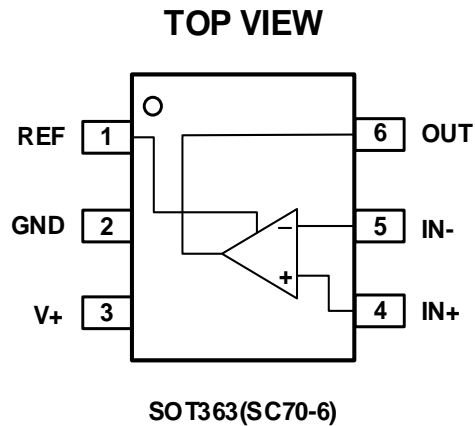
6 PACKAGE/ORDERING INFORMATION ⁽¹⁾

PRODUCT	ORDERING NUMBER	TEMPERATURE RANGE	PACKAGE LEAD	PACKAGE MARKING ⁽²⁾	PACKAGE OPTION
RS199	RS199AXC6	-40°C ~125°C	SOT363(SC70-6)	199A	Tape and Reel,3000

NOTE:

- (1) This information is the most current data available for the designated devices. This data is subject to change without notice and revision of this document. For browser-based versions of this data sheet, refer to the right-hand navigation.
- (2) There may be additional marking, which relates to the lot trace code information (data code and vendor code), the logo or the environmental category on the device.

7 Pin Configuration and Functions



7.1 Pin Description

NAME	PIN	I/O ⁽¹⁾	DESCRIPTION
	SOT363(SC70-6)		
REF	1	I	Reference voltage, 0 V to V+
GND	2	-	Ground
V+	3	-	Power supply, 2.7 V to 26 V
IN+	4	I	Connect to supply side of shunt resistor.
IN-	5	I	Connect to load side of shunt resistor.
OUT	6	O	Output voltage
NC ⁽²⁾	-	-	Not internally connected. Leave floating or connect to ground.

(1) I = Input, O = Output.

(2) NC denotes no internal connection. These pins can be left floating or connected to any voltage between GND and V+.

7.2 Device Comparison Table

Product	Gain	R ₁ & R ₂	R ₃ & R ₄
RS199A	50	1MΩ	20KΩ
RS199B	100	1MΩ	10KΩ
RS199C	200	1MΩ	5KΩ

8 SPECIFICATIONS

8.1 Absolute Maximum Ratings

Over operating free-air temperature range (unless otherwise noted) ⁽¹⁾

		MIN	MAX	UNIT
Supply Voltage			26	V
Analog inputs, V _{IN+} , V _{IN-} ⁽²⁾	Differential (V _{IN+}) - (V _{IN-})	-26	26	
	Common-mode ⁽³⁾	0	26	
Voltage	REF input	GND-0.3	(V ₊)+0.3	V
	Output ⁽³⁾	GND-0.3	(V ₊)+0.3	
Current	Input current Into all pins ⁽³⁾		5	mA
θ _{JA}	Package thermal impedance ⁽⁴⁾	SOT363(SC70-6)		°C/W
Temperature	Operating range, T _A	-40	125	°C
	Junction, T _J ⁽⁵⁾	-40	150	
	Storage, T _{stg}	-55	150	

(1) Stresses above these ratings may cause permanent damage. Exposure to absolute maximum conditions for extended periods may degrade device reliability. These are stress ratings only, and functional operation of the device at these or any other conditions beyond those specified is not implied.

(2) V_{IN+} and V_{IN-} are the voltages at the IN+ and IN- pins, respectively.

(3) Input voltage at any pin can exceed the voltage shown if the current at that pin is limited to 5 mA.

(4) The package thermal impedance is calculated in accordance with JESD-51.

(5) The maximum power dissipation is a function of T_{J(MAX)}, R_{θJA}, and T_A. The maximum allowable power dissipation at any ambient temperature is P_D = (T_{J(MAX)} - T_A) / R_{θJA}. All numbers apply for packages soldered directly onto a PCB.

8.2 ESD Ratings

The following ESD information is provided for handling of ESD-sensitive devices in an ESD protected area only.

			VALUE	UNIT
V _(ESD)	Electrostatic discharge	Human-body model (HBM), per ANSI/ESDA/JEDEC JS-001 ⁽¹⁾	±3000	V
		Charged-device model (CDM), per ANSI/ESDA/JEDEC JS-002 ⁽²⁾	±1500	
		Machine Model (MM)	±300	

(1) JEDEC document JEP155 states that 500 V HBM allows safe manufacturing with a standard ESD control process.

(2) JEDEC document JEP157 states that 250 V CDM allows safe manufacturing with a standard ESD control process.



ESD SENSITIVITY CAUTION

ESD damage can range from subtle performance degradation to complete device failure. Precision integrated circuits may be more susceptible to damage because very small parametric changes could cause the device not to meet its published specifications.

8.3 Recommended Operating Conditions

Over operating free-air temperature range (unless otherwise noted)

		MIN	NOM	MAX	UNIT
V _{CM}	Common-mode input voltage		12		V
V _S	Operating supply voltage (applied to V ₊)		5		V
T _A	Operating free-air temperature	-40		125	°C

8.4 ELECTRICAL CHARACTERISTICS

(At $T_A = +25^\circ\text{C}$, $V_S=5\text{V}$, $V_{IN+}=12\text{V}$, $V_{SENSE} = V_{IN+} - V_{IN-}$, $V_{REF} = V_S/2$, Full ⁽⁸⁾ $= -40^\circ\text{C} \sim +125^\circ\text{C}$, unless otherwise noted.) ⁽¹⁾

PARAMETER	SYMBOL	CONDITIONS	TEMP	MIN ⁽²⁾	TYP ⁽³⁾	MAX ⁽²⁾	UNIT
POWER SUPPLY							
Operating Voltage Range	V_S		FULL	2.7		26	V
Quiescent Current	I_Q	$V_{SENSE} = 0\text{mV}$	25°C		72	100	μA
			FULL			130	
INPUT CHARACTERISTICS							
Input Offset Voltage, RTI ⁽⁴⁾	V_{OS}	$V_{SENSE} = 0\text{mV}$	25°C	-350	± 100	350	μV
Input Offset Voltage Average Drift	$V_{OS} T_C$		FULL		± 2		$\mu\text{V}/^\circ\text{C}$
Power-Supply Rejection Ratio	PSRR	$V_S=2.7\text{V to }18\text{V}$, $V_{IN+}=18\text{V}$, $V_{REF}=2\text{V}$, $V_{SENSE} = 0\text{mV}$	25°C		± 0.2		$\mu\text{V}/\text{V}$
Input Bias Current ^{(5) (6)}	I_B	$V_{SENSE} = 0\text{mV}$	25°C		± 26		μA
Input Offset Current ⁽⁵⁾	I_{OS}	$V_{SENSE} = 0\text{mV}$	25°C		± 0.02		μA
Common-Mode Voltage Range	V_{CM}		FULL	0		26	V
Common-Mode Rejection Ratio	CMRR	$V_{IN+}=0\text{V to }26\text{V}$ $V_{SENSE} = 0\text{mV}$	25°C	85	95		dB
NOISE, RTI ⁽⁴⁾							
Input Voltage Noise	e_{np-p}	$f = 0.1\text{Hz to }10\text{Hz}$	25°C		2.7		μV_{PP}
Input Voltage Noise Density	e_n	$f = 1\text{KHz}$	25°C		100		$\text{nV}/\sqrt{\text{Hz}}$
DYNAMIC PERFORMANCE							
Slew Rate ⁽⁷⁾	SR		25°C		0.12		$\text{V}/\mu\text{s}$
Bandwidth	BW	$C_{LOAD} = 10\text{pF}$, A Version	25°C		25		kHz
OUTPUT CHARACTERISTICS							
Swing to V+ Power-Supply Rail		$R_L = 10\text{ k}\Omega$ to GND	25°C		(V+)-0.06	(V+)-0.08	V
Swing to GND		$R_L = 10\text{ k}\Omega$ to GND	25°C		(V-)+0.04	(V-)+0.06	
Gain	G	A Version	25°C		50		V/V
Gain Error		A Version	25°C		± 0.4	± 1.5	%
Gain Error vs Temperature			FULL		10		ppm/ $^\circ\text{C}$
Nonlinearity Error		$V_{SENSE} = -5\text{ mV to }5\text{ mV}$	25°C		± 0.01		%
Maximum Capacitive Load	C_{LOAD}	No sustained oscillation	25°C		1		nF
TEMPERATURE RANGE							
Specified Range				-40		125	$^\circ\text{C}$
Operating Range				-40		125	$^\circ\text{C}$

NOTE:

- Electrical table values apply only for factory testing conditions at the temperature indicated. Factory testing conditions result in very limited self-heating of the device.
- Limits are 100% production tested at 25°C. Limits over the operating temperature range are ensured through correlations using statistical quality control (SQC) method.
- Typical values represent the most likely parametric norm as determined at the time of characterization. Actual typical values may vary over time and will also depend on the application and configuration.
- RTI = Referred-to-input.
- This parameter is ensured by design and/or characterization and is not tested in production.
- Positive current corresponds to current flowing into the device.
- Number specified is the slower of positive and negative slew rates.
- Specified by characterization only.

8.5 TYPICAL CHARACTERISTICS

NOTE: The graphs and tables provided following this note are a statistical summary based on a limited number of samples and are provided for informational purposes only.

At $T_A = +25^\circ\text{C}$, $V_S=5\text{V}$, $V_{IN+}=12\text{V}$, $V_{REF} = V_S/2$, unless otherwise noted.

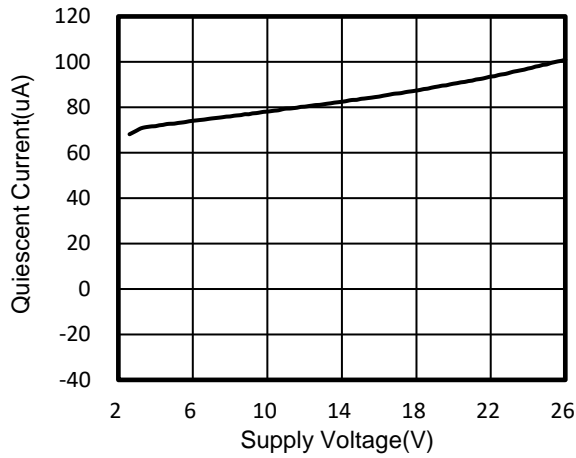


Figure 1. Quiescent Current vs Supply Voltage

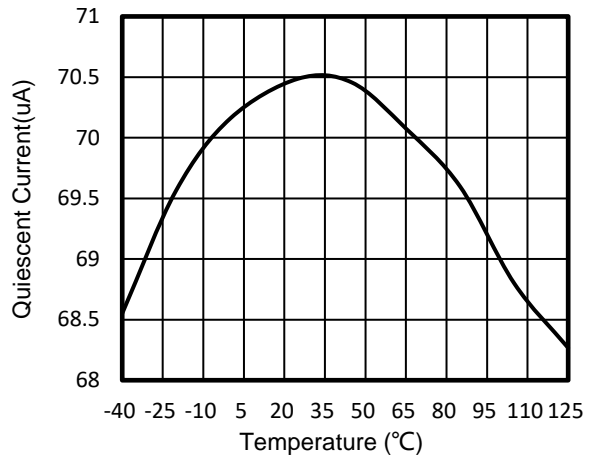


Figure 2. Quiescent Current vs Temperature

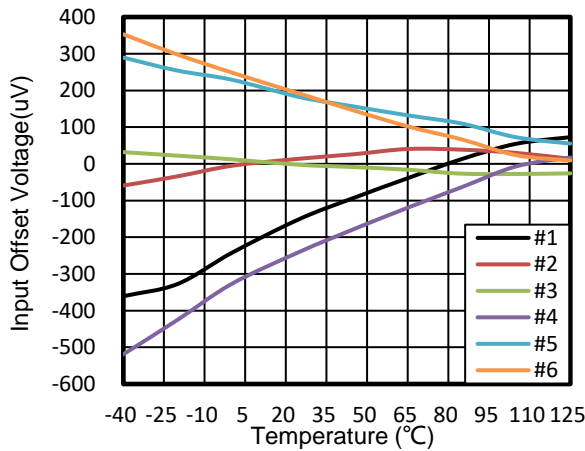


Figure 3. Input Offset Voltage vs Temperature

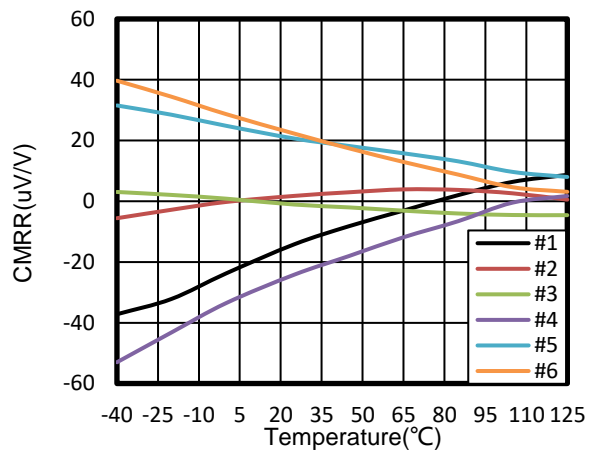


Figure 4. Common-Mode Rejection Ratio vs Temperature

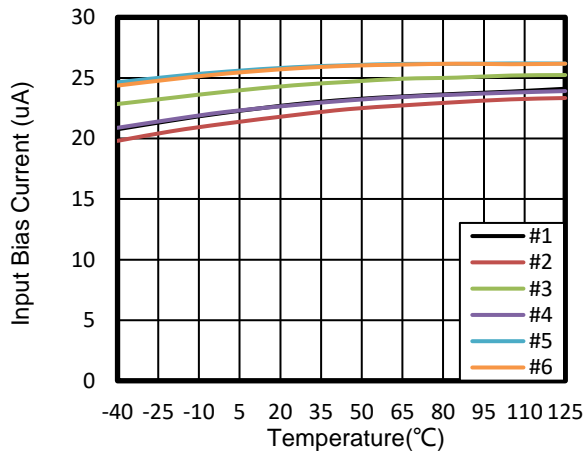


Figure 5. Input Bias Current vs Temperature

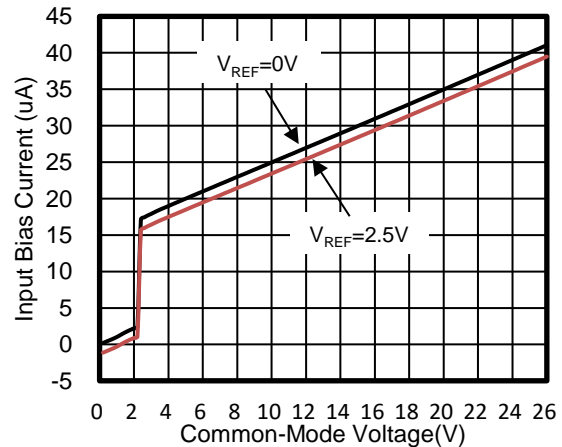


Figure 6. Input Bias Current vs Common-Mode Voltage

TYPICAL CHARACTERISTICS

NOTE: The graphs and tables provided following this note are a statistical summary based on a limited number of samples and are provided for informational purposes only.

At $T_A = +25^\circ\text{C}$, $V_S=5\text{V}$, $V_{IN+}=12\text{V}$, $V_{REF} = V_S/2$, unless otherwise noted.

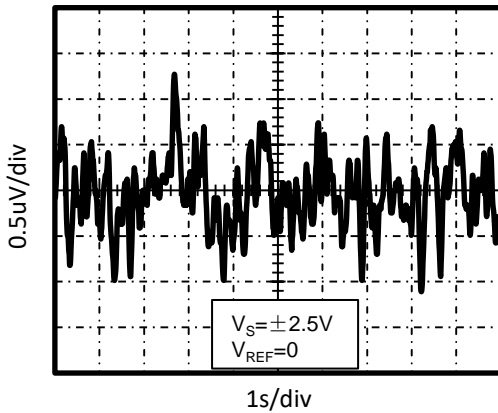


Figure 7. 0.1Hz to 10Hz Input Voltage Noise

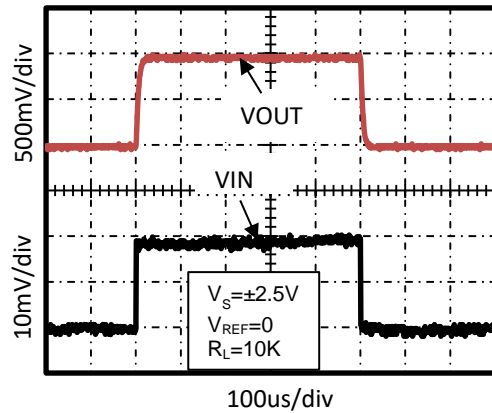


Figure 8. Step Response (20mV_{PP} Input Step)

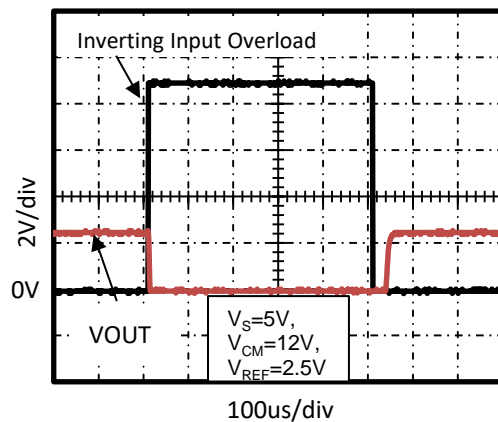


Figure 9. Inverting Differential Input Overload

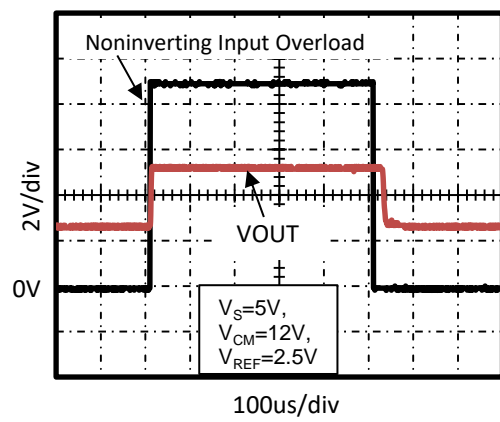


Figure 10. Noninverting Differential Input Overload

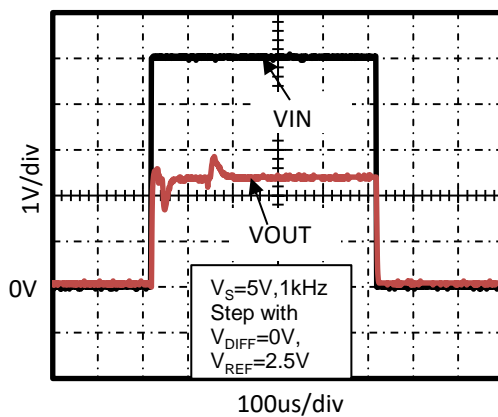


Figure 11. Start-Up Response

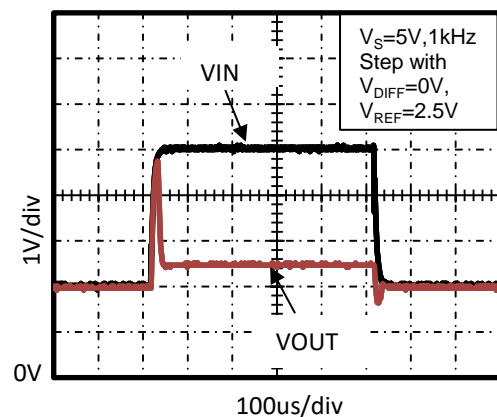


Figure 12. Brownout Recovery

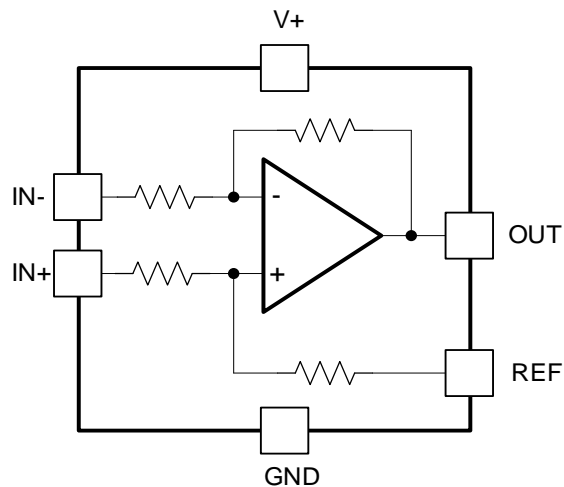
9 Detailed Description

9.1 Overview

The RS199 is a 26V common mode, zero-drift topology, current-sensing amplifier that can be used in both low-side and high-side configurations. The device is a specially-designed, current-sensing amplifier that is able to accurately measure voltages developed across a current-sensing resistor on common-mode voltages that far exceed the supply voltage powering the device. Current can be measured on input voltage rails as high as 26V and the device can be powered from supply voltages as low as 2.7V.

The zero-drift topology enables high-precision measurements with maximum input offset voltages as low as $350\mu\text{V}$ with a maximum temperature contribution of $2\mu\text{V}/^\circ\text{C}$ over the full temperature range of -40°C to $+125^\circ\text{C}$.

9.2 Functional Block Diagram



9.3 Feature Description

9.3.1 Basic Connections

Figure 13 shows the basic connections for the RS199. The input pins, IN+ and IN-, must be connected as close as possible to the shunt resistor to minimize any resistance in series with the shunt resistor.

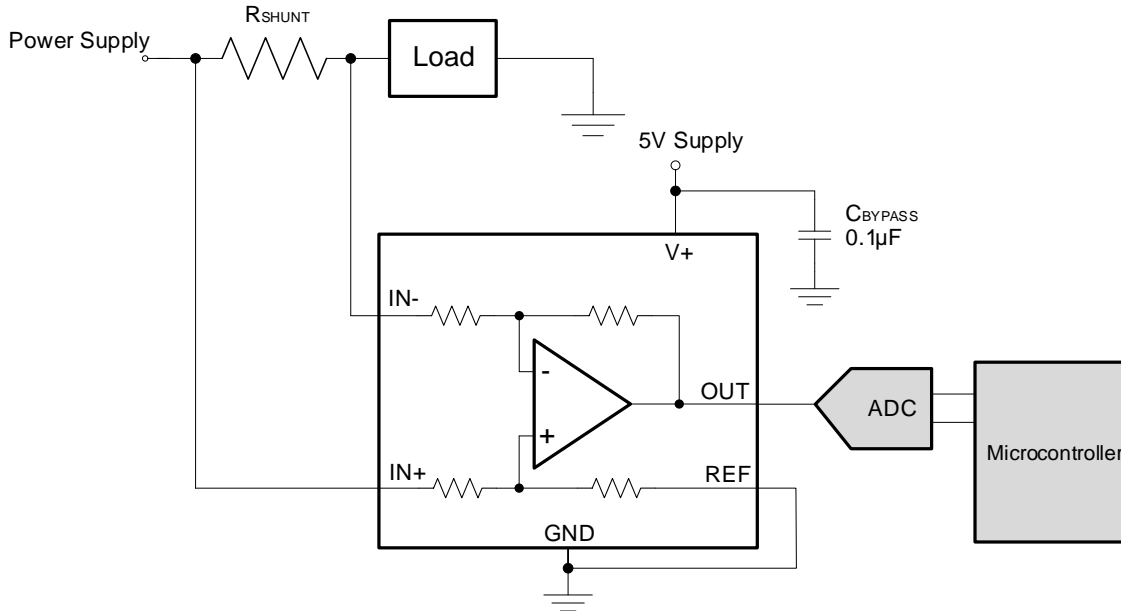


Figure 13. Typical Application

Power-supply bypass capacitors are required for stability. Applications with noisy or high-impedance power supplies may require additional decoupling capacitors to reject power-supply noise. Connect bypass capacitors close to the device pins.

9.3.2 Selecting R_{SHUNT}

The zero-drift offset performance of the RS199 offers several benefits. Most often, the primary advantage of the low offset characteristic enables lower full-scale drops across the shunt. For example, non-zero-drift current shunt monitors typically require a full-scale range of 100mV.

The RS199 series gives equivalent accuracy at a full-scale range on the order of 10mV. This accuracy reduces shunt dissipation by an order of magnitude with many additional benefits.

Alternatively, there are applications that must measure current over a wide dynamic range that can take advantage of the low offset on the low end of the measurement. Most often, these applications can use the lower gain of 50 or 100 to accommodate larger shunt drops on the upper end of the scale.

9.4 Device Functional Modes

9.4.1 Input Filtering

An obvious and straightforward filtering location is at the device output. However, this location negates the advantage of the low output impedance of the internal buffer. The only other filtering option is at the device input pins. This location, though, does require consideration of the $\pm 30\%$ tolerance of the internal resistances. Figure 14 shows a filter placed at the inputs pins.

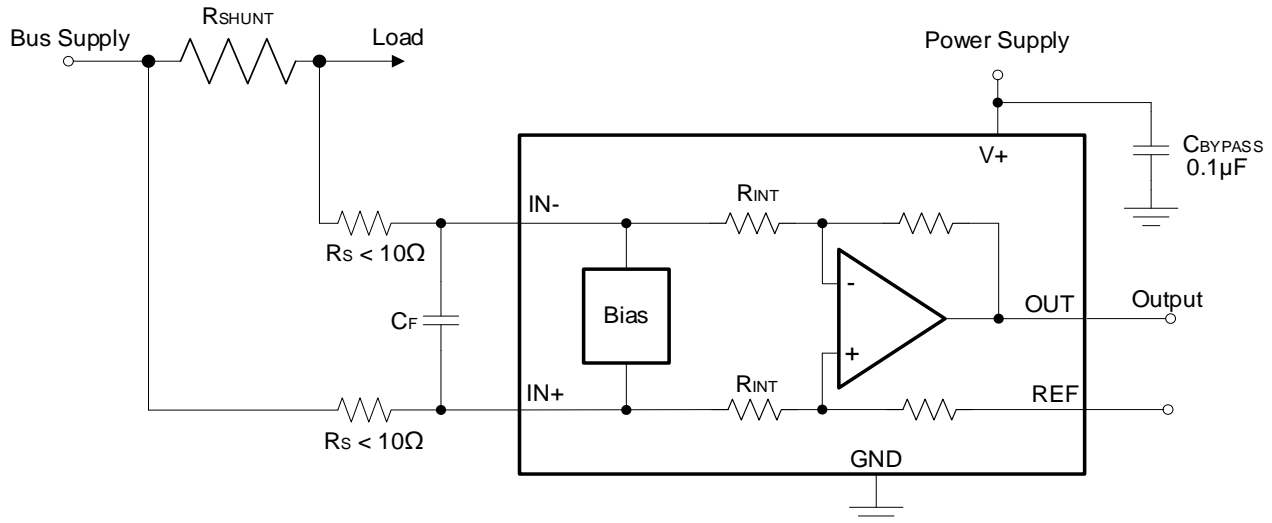


Figure 14. Filter at Input Pins

The addition of external series resistance, however, creates an additional error in the measurement so the value of these series resistors must be kept to 10Ω (or less if possible) to reduce any affect to accuracy. The internal bias network shown in Figure 14 present at the input pins creates a mismatch in input bias currents when a differential voltage is applied between the input pins. If additional external series filter resistors are added to the circuit, the mismatch in bias currents results in a mismatch of voltage drops across the filter resistors. This mismatch creates a differential error voltage that subtracts from the voltage developed at the shunt resistor. This error results in a voltage at the device input pins that is different than the voltage developed across the shunt resistor. Without the additional series resistance, the mismatch in input bias currents has little effect on device operation. The amount of error these external filter resistors add to the measurement can be calculated using Equation 2 where the gain error factor is calculated using Equation 1. The amount of variance in the differential voltage present at the device input relative to the voltage developed at the shunt resistor is based both on the external series resistance value as well as the internal input resistors, R3 and R4 (or R_{INT} as shown in Figure 14). The reduction of the shunt voltage reaching the device input pins appears as a gain error when comparing the output voltage relative to the voltage across the shunt resistor. A factor can be calculated to determine the amount of gain error that is introduced by the addition of external series resistance. The equation used to calculate the expected deviation from the shunt voltage to what is seen at the device input pins is given in Equation 1:

$$\text{Gain Error Factor} = \frac{(1250 \times R_{INT})}{(1250 \times R_S) + (1250 \times R_{INT}) + (R_S \times R_{INT})} \quad (1)$$

where:

- R_{INT} is the internal input resistor (R₃ and R₄).
- R_S is the external series resistance.

With the adjustment factor equation including the device internal input resistance, this factor varies with each gain version, as listed in Table 1. Each individual device gain error factor is listed in Table 2.

Table 1. Input Resistance

PRODUCT	GAIN	R _{INT} (KΩ)
RS199A	50	20
RS199B	100	10
RS199C	200	5

Table 2. Device Gain Error Factor

PRODUCT	SIMPLIFIED GAIN ERROR FACTOR
RS199A	$\frac{20000}{(17 \times R_S) + 20000}$
RS199B	$\frac{10000}{(9 \times R_S) + 10000}$
RS199C	$\frac{1000}{R_S + 1000}$

The gain error that can be expected from the addition of the external series resistors can then be calculated based on Equation 2:

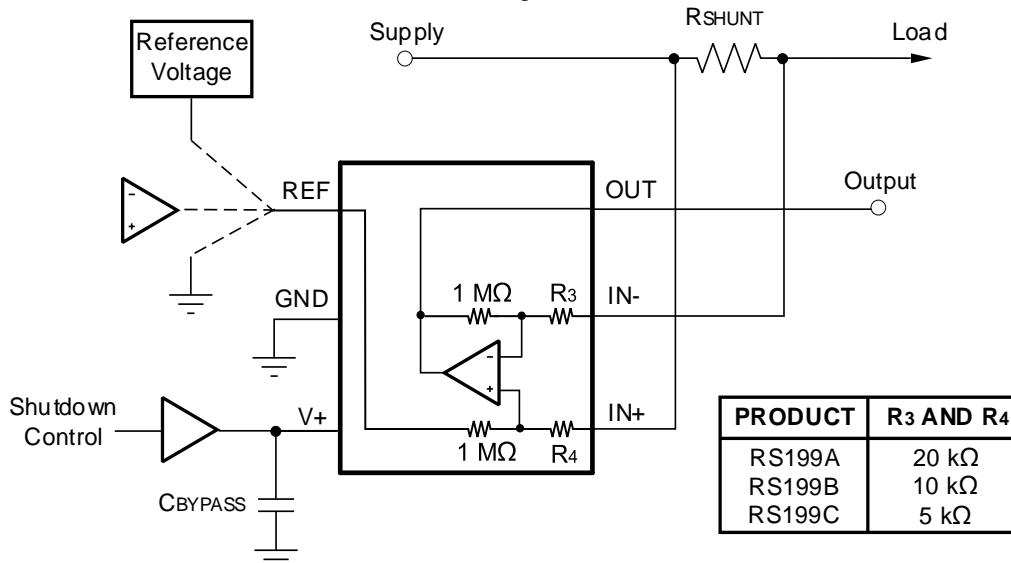
$$\text{Gain Error(\%)} = 100 - (100 \times \text{Gain Error Factor}) \quad (2)$$

For example, using an RS199B and the corresponding gain error equation from Table 2, a series resistance of 10Ω results in a gain error factor of 0.991. The corresponding gain error is then calculated using Equation 2, resulting in a gain error of approximately 0.89% solely because of the external 10Ω series resistors. Using an RS199A with the same 10Ω series resistor results in a gain error factor of 0.991 and a gain error of 0.84% again solely because of these external resistors.

9.4.2 Shutting Down the RS199 Series

Although the RS199 series does not have a shutdown pin, the low power consumption of the device allows the output of a logic gate or transistor switch to power the RS199. This gate or switch turns on and turns off the RS199 power-supply quiescent current.

However, in current shunt monitoring applications, there is also a concern for how much current is drained from the shunt circuit in shutdown conditions. Evaluating this current drain involves considering the simplified schematic of the RS199 in shutdown mode shown in Figure 15.



NOTE: 1 MΩ paths from shunt inputs to reference and the RS199 outputs.

Figure 15. Basic Circuit for Shutting Down the RS199 With a Grounded Reference

There is typically slightly more than 1MΩ impedance (from the combination of 1MΩ feedback and 5kΩ input resistors) from each input of the RS199 to the OUT pin and to the REF pin. The amount of current flowing through these pins depends on the respective ultimate connection. For example, if the REF pin is grounded, the calculation of the effect of the 1MΩ impedance from the shunt to ground is straightforward. However, if the reference or operational amplifier is powered when the RS199 is shut down, the calculation is direct; instead of assuming 1MΩ to ground, however, assume 1MΩ to the reference voltage. If the reference or operational amplifier is also shut down, some knowledge of the reference or operational amplifier output impedance under shutdown conditions is required. For instance, if the reference source functions as an open circuit when not powered, little or no current flows through the 1MΩ path.

Regarding the 1MΩ path to the output pin, the output stage of a disabled RS199 does constitute a good path to

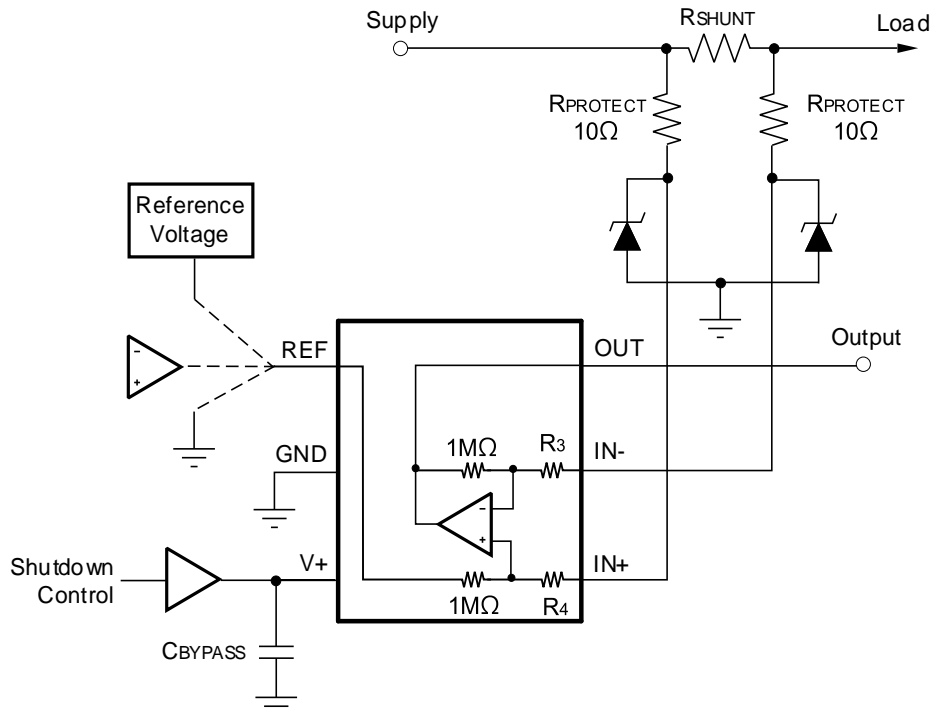


Figure 17. RS199 Transient Protection Using Dual Zener Diodes

In the event that low-power zeners do not have sufficient transient absorption capability and a higher power tranzorb must be used, the most package-efficient solution then involves using a single tranzorb and back-to-back diodes between the device inputs. This method is shown in Figure 18.

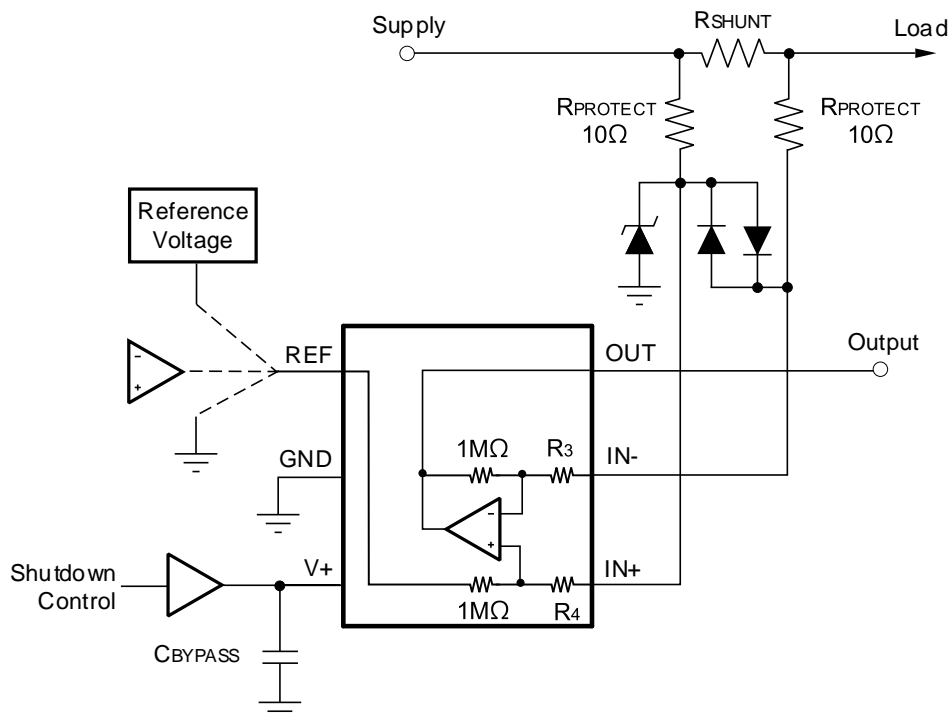


Figure 18. RS199 Transient Protection Using a Single Tranzorb and Input Clamps

9.4.5 Improving Transient Robustness

Applications involving large input transients with excessive dV/dt above 2kV per microsecond present at the device input pins can cause damage to the internal ESD structures on version A devices. This potential damage is a result of the internal latching of the ESD structure to ground when this transient occurs at the input. With significant current available in most current-sensing applications, the large current flowing through the input transient-triggered, ground-shorted ESD structure quickly results in damage to the silicon. External filtering can be used to attenuate the transient signal prior to reaching the inputs to avoid the latching condition. Take care to ensure that external series input resistance does not significantly affect gain error accuracy. For accuracy purposes, keep the resistance under 10Ω if possible. Ferrite beads are recommended for this filter because of their inherently low dc ohmic value. Ferrite beads with less than 10Ω of resistance at dc and over 600Ω of resistance at 100MHz to 200MHz are recommended. The recommended capacitor values for this filter are between $0.01\mu\text{F}$ and $0.1\mu\text{F}$ to ensure adequate attenuation in the high-frequency region. This protection scheme is shown in Figure 19.

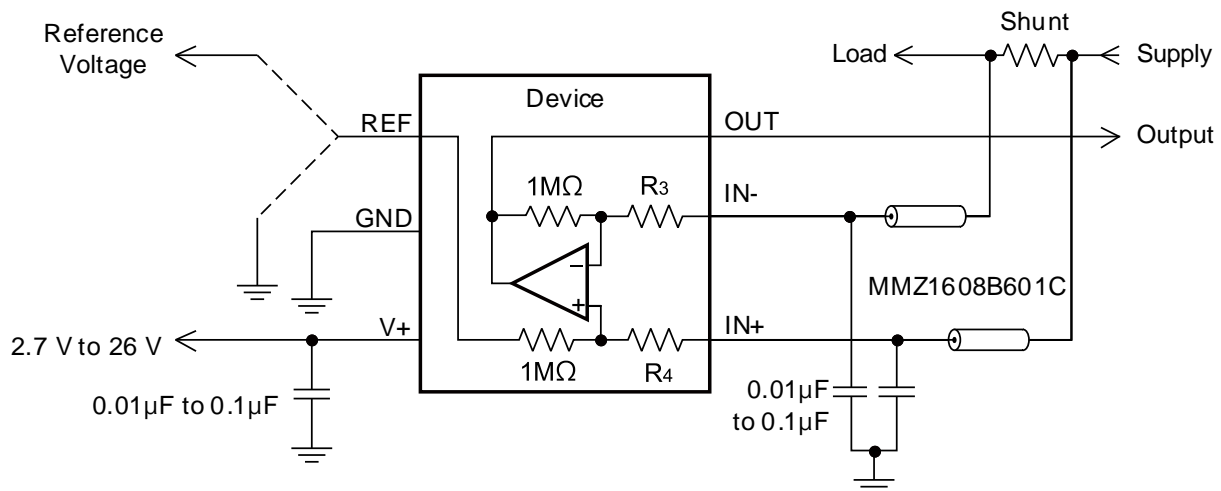


Figure 19. Transient Protection

To minimize the cost of adding these external components to protect the device in applications where large transient signals may be present, version B and C devices are now available with new ESD structures that are not susceptible to this latching condition. Version B and C devices are incapable of sustaining these damages causing latched conditions so these devices do not have the same sensitivity to the transients that the version A devices have, thus making the version B and C devices a better fit for these applications.

10 Application and Implementation

Information in the following applications sections is not part of the Runic component specification, and Runic does not warrant its accuracy or completeness. Runic's customers are responsible for determining suitability of components for their purposes. Customers should validate and test their design implementation to confirm system functionality.

10.1 Application Information

The RS199 measures the voltage developed across a current-sensing resistor when current passes through it. The ability to drive the reference pin to adjust the functionality of the output signal offers multiple configurations, as discussed throughout this section.

10.2 Typical Applications

10.2.1 Unidirectional Operation

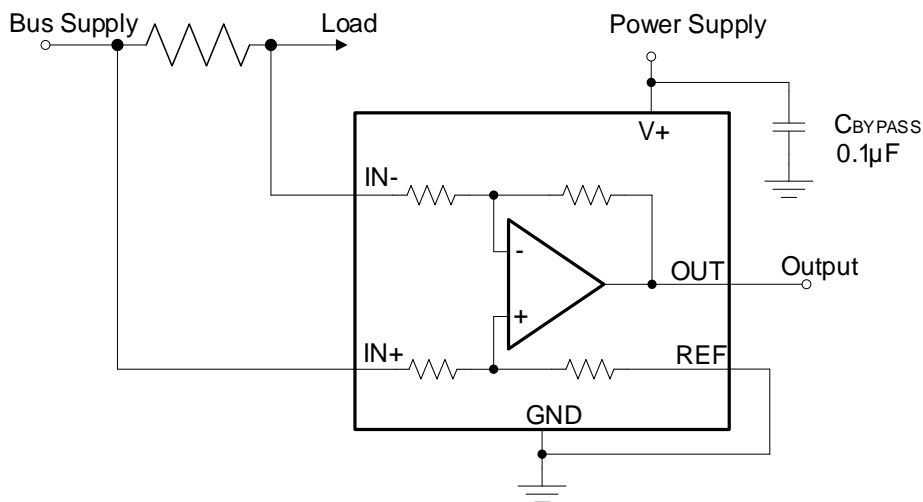


Figure 20. Unidirectional Application Schematic

10.2.2 Design Requirements

The device can be configured to monitor current flowing in one direction (unidirectional) or in both directions (bidirectional) depending on how the REF pin is configured. The most common case is unidirectional where the output is set to ground when no current is flowing by connecting the REF pin to ground, as shown in Figure 20. When the input signal increases, the output voltage at the OUT pin increases.

10.2.3 Detailed Design Procedure

The linear range of the output stage is limited in how close the output voltage can approach ground under zero input conditions. In unidirectional applications where measuring very low input currents is desirable, bias the REF pin to a convenient value above 50mV to get the output into the linear range of the device. To limit common-mode rejection errors, Runic recommends buffering the reference voltage connected to the REF pin.

A less frequently-used output biasing method is to connect the REF pin to the supply voltage, V+. This method results in the output voltage saturating at 200mV below the supply voltage when no differential input signal is present. This method is similar to the output saturated low condition with no input signal when the REF pin is connected to ground. The output voltage in this configuration only responds to negative currents that develop negative differential input voltage relative to the device IN- pin. Under these conditions, when the differential input signal increases negatively, the output voltage moves downward from the saturated supply voltage. The voltage applied to the REF pin must not exceed the device supply voltage.

10.2.4 Bidirectional Operation

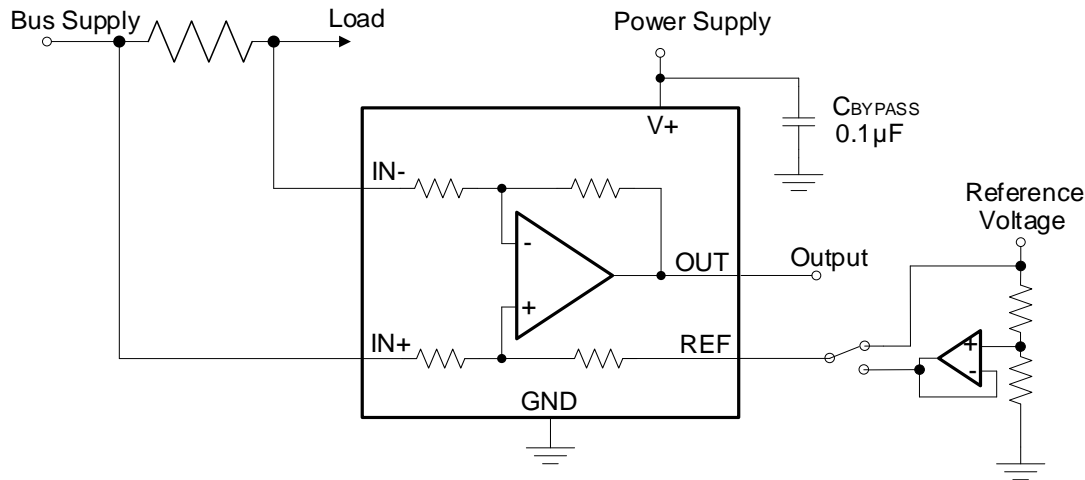


Figure 21. Bidirectional Application Schematic

10.2.5 Design Requirements

The device is a bidirectional, current-sense amplifier capable of measuring currents through a resistive shunt in two directions. This bidirectional monitoring is common in applications that include charging and discharging operations where the current flow-through resistor can change directions.

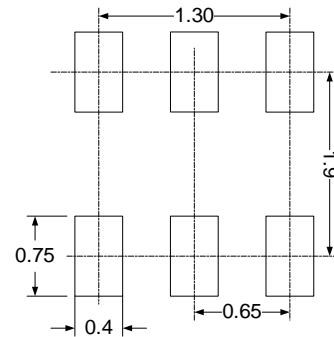
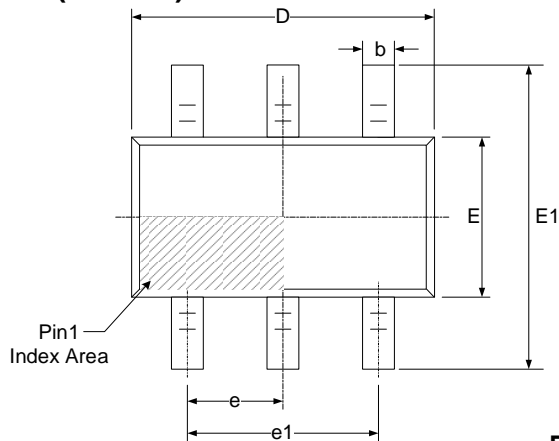
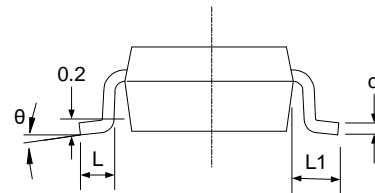
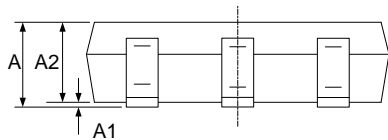
10.2.6 Detailed Design Procedure

The ability to measure this current flowing in both directions is enabled by applying a voltage to the REF pin; see Figure 21. The voltage applied to REF (V_{REF}) sets the output state that corresponds to the zero-input level state. The output then responds by increasing above V_{REF} for positive differential signals (relative to the IN- pin) and responds by decreasing below V_{REF} for negative differential signals. This reference voltage applied to the REF pin can be set anywhere between 0 V to V_+ . For bidirectional applications, V_{REF} is typically set at mid-scale for equal signal range in both current directions. In some cases, however, V_{REF} is set at a voltage other than mid-scale when the bidirectional current and corresponding output signal do not need to be symmetrical.

11 Power Supply Recommendations

The input circuitry of the RS199 can accurately measure beyond its power-supply voltage, $V+$. For example, the $V+$ power supply can be 5V, whereas the load power-supply voltage can be as high as 26V. However, the output voltage range of the OUT pin is limited by the voltages on the power-supply pin. Also, the RS199 can withstand the full input signal range up to 26V range in the input pins, regardless of whether the device has power applied or not.

12 PACKAGE OUTLINE DIMENSIONS SOT363 (SC70-6)


RECOMMENDED LAND PATTERN (Unit: mm)


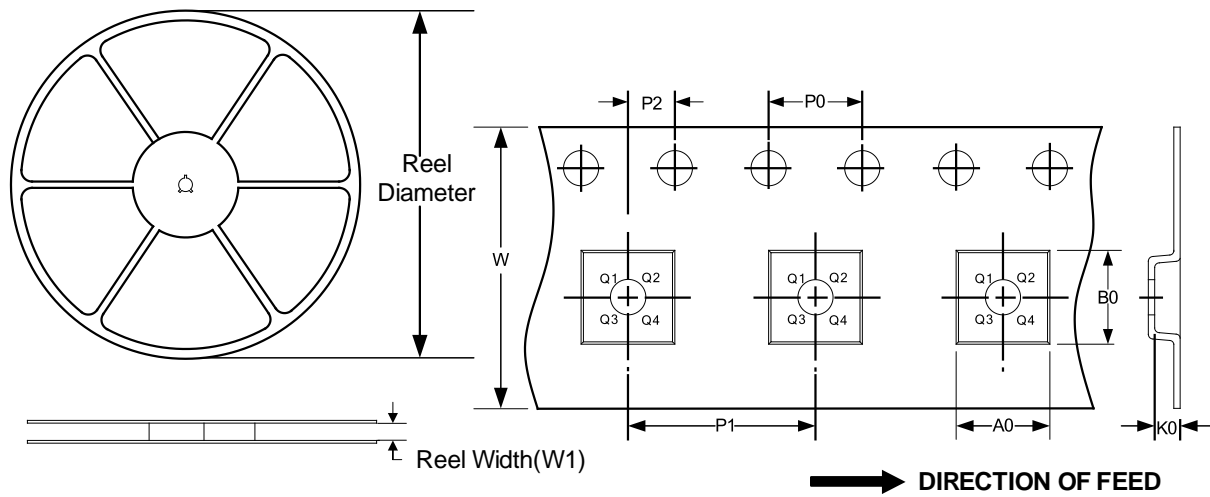
Symbol	Dimensions In Millimeters		Dimensions In Inches	
	Min	Max	Min	Max
A	0.900	1.100	0.035	0.043
A1	0.000	0.100	0.000	0.004
A2	0.900	1.000	0.035	0.039
b	0.150	0.350	0.006	0.014
c	0.080	0.150	0.003	0.006
D	2.000	2.200	0.079	0.087
E	1.150	1.350	0.045	0.053
E1	2.150	2.450	0.085	0.096
e	0.650 (BSC)		0.026 (BSC)	
e1	1.300 (BSC)		0.051 (BSC)	
L	0.260	0.460	0.010	0.018
L1	0.525		0.021	
θ	0°	8°	0°	8°

NOTE:

- A. All linear dimension is in millimeters.
- B. This drawing is subject to change without notice.
- C. Body dimensions do not include mold flash or protrusion. Mold flash and protrusion shall not exceed 0.15 per side.
- D. BSC: Basic Dimension. Theoretically exact value shown without tolerances.

13 TAPE AND REEL INFORMATION REEL DIMENSIONS

TAPE DIMENSION



NOTE: The picture is only for reference. Please make the object as the standard.

KEY PARAMETER LIST OF TAPE AND REEL

Package Type	Reel Diameter	Reel Width(mm)	A0 (mm)	B0 (mm)	K0 (mm)	P0 (mm)	P1 (mm)	P2 (mm)	W (mm)	Pin1 Quadrant
SOT363(SC70-6)	7"	9.5	2.40	2.50	1.20	4.0	4.0	2.0	8.0	Q3

NOTE:

1. All dimensions are nominal.
2. Plastic or metal protrusions of 0.15mm maximum per side are not included.

IMPORTANT NOTICE AND DISCLAIMER

Jiangsu Runic Technology Co., Ltd. will accurately and reliably provide technical and reliability data (including data sheets), design resources (including reference designs), application or other design advice, WEB tools, safety information and other resources, without warranty of any defect, and will not make any express or implied warranty, including but not limited to the warranty of merchantability. Implied warranty that it is suitable for a specific purpose or does not infringe the intellectual property rights of any third party.

These resources are intended for skilled developers designing with Runic products. You will be solely responsible for: (1) Selecting the appropriate products for your application; (2) Designing, validating and testing your application; (3) Ensuring your application meets applicable standards and any other safety, security or other requirements; (4) Runic and the Runic logo are registered trademarks of Runic Incorporated. All trademarks are the property of their respective owners; (5) For change details, review the revision history included in any revised document. The resources are subject to change without notice. Our company will not be liable for the use of this product and the infringement of patents or third-party intellectual property rights due to its use.