



LM79XX

LINEAR INTEGRATED CIRCUIT

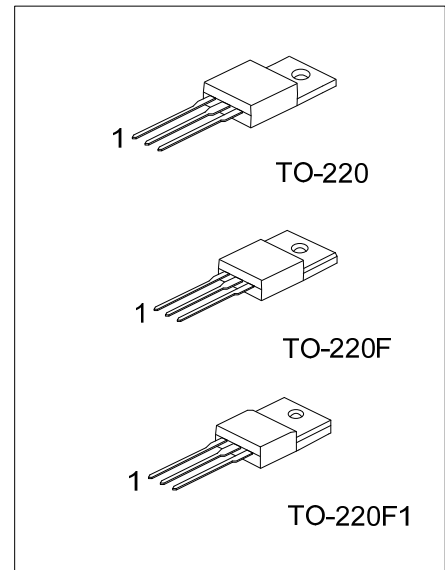
3 TERMINAL 1A NEGATIVE VOLTAGE REGULATOR

DESCRIPTION

The UTC **LM79XX** series of three-terminal negative regulators is available several fixed output voltage, making them useful in a wide range of application. Each type employs internal current limiting, thermal shut-down and safe area protection, making it essentially indestructible.

FEATURES

- * Output Current Up to 1A
- * -5V, -6V, -8V, -9V, -12V, -15V, -18V, -24V Output Voltage Available
- * Thermal Overload Protection



ORDERING INFORMATION

Ordering Number		Package	Pin Assignment				Packing
Lead Free	Halogen Free		Pin Code	1	2	3	
LM79XXL-TA3-T	LM79XXG-TA3-T	TO-220	Blank	G	I	O	Tube
LM79XXL-TF1-T	LM79XXG-TF1-T	TO-220F1	D	I	G	O	Tube
LM79XXL-TF3-T	LM79XXG-TF3-T	TO-220F					Tube

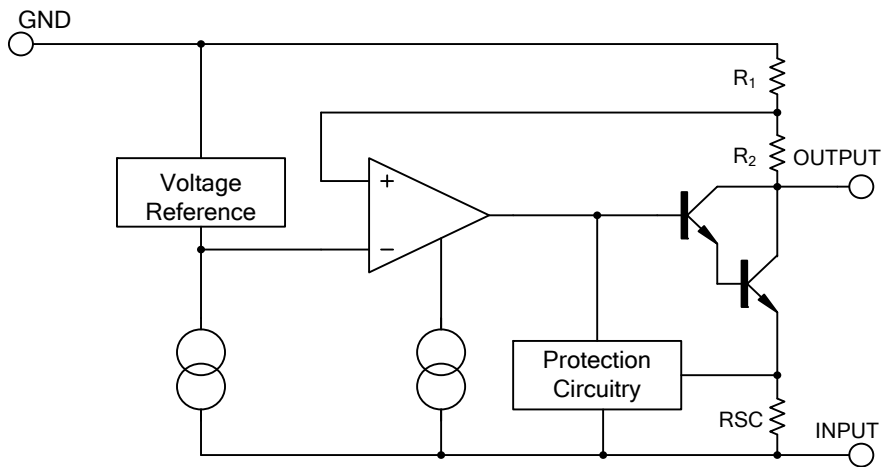
Note: Pin Assignment: O: Output G: GND I: Input

<p>LM79XXG-TA3-D-T</p>	<p>(1) Packing Type (2) Pin Assignment (3) Package Type (4) Green Package (5) Output Voltage Code</p>	<p>(1) T: Tube (2) refer to Pin Assignment (3) TA3: TO-220, TF1: TO-220F1, TF3: TO-220F (4) G: Halogen Free and Lead Free, L: Lead Free (5) xx: refer to Marking Information</p>
------------------------	---	--

MARKING INFORMATION

PACKAGE	VOLTAGE CODE	MARKING
TO-220 TO-220F TO-220F1	05: -5.0V 06: -6.0V 07: -7.0V 08: -8.0V 09: -9.0V 12: -12V	<p>UTC LM79□□□□ Voltage Code Lot Code Date Code 1 2 3</p> <p>L: Lead Free G: Halogen Free</p>
TO-220 TO-220F TO-220F1 (For Pin Code)	15: -15V 18: -18V 24: -24V	<p>UTC LM79□□□□ Pin Code Lot Code Date Code 1 2 3</p> <p>L: Lead Free G: Halogen Free</p>

BLOCK DIAGRAM



■ ABSOLUTE MAXIMUM RATINGS ($T_A=25^{\circ}\text{C}$, unless otherwise specified)

PARAMETER	SYMBOL	RATING	UNIT
Input Voltage	V_{IN}	-35	V
Output Current	I_{OUT}	1	A
Power Dissipation	P_D	Internally Limited	W
Junction Temperature	T_J	+150	$^{\circ}\text{C}$
Operating Temperature	T_{OPR}	-40 ~ +125	$^{\circ}\text{C}$
Storage Temperature	T_{STG}	-65 ~ +150	$^{\circ}\text{C}$

Note: Absolute maximum ratings are those values beyond which the device could be permanently damaged. Absolute maximum ratings are stress ratings only and functional device operation is not implied.

■ THERMAL DATA

PARAMETER	SYMBOL	RATING	UNIT
Junction to Ambient	θ_{JA}	65	$^{\circ}\text{C}/\text{W}$
Junction to Case	θ_{JC}	5	$^{\circ}\text{C}/\text{W}$

■ ELECTRICAL CHARACTERISTICS

($I_{OUT}=0.5\text{A}$, $T_J=0^{\circ}\text{C}\sim 125^{\circ}\text{C}$, $C_I=2.2\mu\text{F}$, $C_O=1\mu\text{F}$, unless otherwise specified)

For UTC LM7905 ($V_{IN}=-10\text{V}$)

PARAMETER	SYMBOL	TEST CONDITIONS	MIN	TYP	MAX	UNIT
Output Voltage	V_{OUT}	$T_J=25^{\circ}\text{C}$	-4.80	-5.0	-5.20	V
		$V_{IN}=-7\text{V}\sim -20\text{V}$ $I_{OUT}=5\text{mA}\sim 1\text{A}$, $P_D \leq 15\text{W}$	-4.75		-5.25	V
Dropout Voltage	V_D	$I_{OUT}=1\text{A}$ $T_J=25^{\circ}\text{C}$		2		V
Line Regulation	ΔV_{OUT}	$V_{IN}=-7\text{V}\sim -25\text{V}$ $T_J=25^{\circ}\text{C}$		10	100	mV
		$V_{IN}=-8\text{V}\sim -12\text{V}$ $T_J=25^{\circ}\text{C}$		5	60	mV
Load Regulation	ΔV_{OUT}	$I_{OUT}=5\text{mA}\sim 1\text{A}$ $T_J=25^{\circ}\text{C}$		10	100	mV
		$I_{OUT}=250\text{mA}\sim 750\text{mA}$ $T_J=25^{\circ}\text{C}$		3	50	mV
Quiescent Current	I_Q	$T_J=25^{\circ}\text{C}$		3	6	mA
Quiescent Current Change	ΔI_Q	$I_{OUT}=5\text{mA}\sim 1\text{A}$		0.05	0.5	mA
		$V_{IN}=-7\text{V}\sim -25\text{V}$		0.1	1.3	mA
Output Noise Voltage	eN	$f=10\text{Hz}\sim 100\text{kHz}$ $T_A=25^{\circ}\text{C}$		100		μV
Output Voltage Drift	$\Delta V_{OUT}/\Delta T$	$I_{OUT}=5\text{mA}$		-0.4		$\text{mV}/^{\circ}\text{C}$
Ripple Rejection	RR	$V_{IN}=-8\text{V}\sim -18\text{V}$, $f=120\text{Hz}$	54	60		dB
Peak Current	I_{PEAK}	$T_J=25^{\circ}\text{C}$		2.2		A

For UTC LM7906 ($V_{IN}=-11\text{V}$)

PARAMETER	SYMBOL	TEST CONDITIONS	MIN	TYP	MAX	UNIT
Output Voltage	V_{OUT}	$T_J=25^{\circ}\text{C}$	-5.76	-6.00	-6.24	V
		$V_{IN}=-8\text{V}\sim -21\text{V}$, $I_{OUT}=5\text{mA}\sim 1\text{A}$, $P_D \leq 15\text{W}$	-5.70		-6.30	V
Dropout Voltage	V_D	$I_{OUT}=1.0\text{A}$ $T_J=25^{\circ}\text{C}$		2		V
Line Regulation	ΔV_{OUT}	$V_{IN}=-8\text{V}\sim -25\text{V}$ $T_J=25^{\circ}\text{C}$		10	120	mV
		$V_{IN}=-9\text{V}\sim -13\text{V}$ $T_J=25^{\circ}\text{C}$		5	60	mV
Load Regulation	ΔV_{OUT}	$I_{OUT}=5\text{mA}\sim 1\text{A}$ $T_J=25^{\circ}\text{C}$		10	120	mV
		$I_{OUT}=250\text{mA}\sim 750\text{mA}$ $T_J=25^{\circ}\text{C}$		3	60	mV
Quiescent Current	I_Q	$T_J=25^{\circ}\text{C}$		3	6	mA
Quiescent Current Change	ΔI_Q	$I_{OUT}=5\text{mA}\sim 1\text{A}$		0.05	0.5	mA
		$V_{IN}=-8\text{V}\sim -25\text{V}$		0.1	1.3	mA
Output Noise Voltage	eN	$f=10\text{Hz}\sim 100\text{kHz}$ $T_A=25^{\circ}\text{C}$		130		μV
Output Voltage Drift	$\Delta V_{OUT}/\Delta T$	$I_{OUT}=5\text{mA}$		-0.5		$\text{mV}/^{\circ}\text{C}$
Ripple Rejection	RR	$V_{IN}=-9\text{V}\sim -19\text{V}$, $f=120\text{Hz}$	54	60		dB
Peak Current	I_{PEAK}	$T_J=25^{\circ}\text{C}$		2.2		A

■ ELECTRICAL CHARACTERISTICS(Cont.)

For UTC LM7907 ($V_{IN}=-13V$)

PARAMETER	SYMBOL	TEST CONDITIONS	MIN	TYP	MAX	UNIT
Output Voltage	V_{OUT}	$T_J=25^{\circ}C$	-6.72	-7.00	-7.28	V
		$V_{IN}=-9.5V\sim-22V$, $I_{OUT}=5mA\sim 1A$, $P_D \leq 15W$	-6.65		-7.35	V
Dropout Voltage	V_D	$I_{OUT}=1.0A$, $T_J=25^{\circ}C$		2		V
Line Regulation	ΔV_{OUT}	$V_{IN}=-9.5V\sim-25V$, $T_J=25^{\circ}C$		10	110	mV
		$V_{IN}=-10.5V\sim-15V$, $T_J=25^{\circ}C$		5	70	mV
Load Regulation	ΔV_{OUT}	$I_{OUT}=5mA\sim 1A$, $T_J=25^{\circ}C$		10	140	mV
		$I_{OUT}=250mA\sim 750mA$, $T_J=25^{\circ}C$		3	70	mV
Quiescent Current	I_Q	$T_J=25^{\circ}C$		3	6	mA
Quiescent Current Change	ΔI_Q	$I_{OUT}=5mA\sim 1A$		0.05	0.5	mA
		$V_{IN}=-10.5V\sim-25V$		0.1	1.3	mA
Output Noise Voltage	eN	$f=10Hz\sim 100kHz$, $T_A=25^{\circ}C$		130		μV
Output Voltage Drift	$\Delta V_{OUT}/\Delta T$	$I_{OUT}=5mA$		-0.5		$mV/^{\circ}C$
Ripple Rejection	RR	$V_{IN}=-10.5V\sim-21.5V$, $f=120Hz$	54	60		dB
Peak Current	I_{PEAK}	$T_J=25^{\circ}C$		2.2		A

For UTC LM7908 ($V_{IN}=-14V$)

PARAMETER	SYMBOL	TEST CONDITIONS	MIN	TYP	MAX	UNIT
Output Voltage	V_{OUT}	$T_J=25^{\circ}C$	-7.68	-8.0	-8.32	V
		$V_{IN}=-10.5V\sim-23V$, $I_{OUT}=5mA\sim 1A$, $P_D \leq 15W$	-7.60		-8.40	V
Dropout Voltage	V_D	$I_{OUT}=1A$, $T_J=25^{\circ}C$		2		V
Line Regulation	ΔV_{OUT}	$V_{IN}=-10.5V\sim-25V$, $T_J=25^{\circ}C$		10	160	mV
		$V_{IN}=-11.5V\sim-17V$, $T_J=25^{\circ}C$		5	80	mV
Load Regulation	ΔV_{OUT}	$I_{OUT}=5mA\sim 1A$, $T_J=25^{\circ}C$		12	160	mV
		$I_{OUT}=250mA\sim 750mA$, $T_J=25^{\circ}C$		4	80	mV
Quiescent Current	I_Q	$T_J=25^{\circ}C$		3	6	mA
Quiescent Current Change	ΔI_Q	$I_{OUT}=5mA\sim 1A$		0.05	0.5	mA
		$V_{IN}=-11.5V\sim-25V$		0.1	1.0	mA
Output Noise Voltage	eN	$f=10Hz\sim 100kHz$, $T_A=25^{\circ}C$		175		μV
Output Voltage Drift	$\Delta V_{OUT}/\Delta T$	$I_{OUT}=5mA$		-0.6		$mV/^{\circ}C$
Ripple Rejection	RR	$V_{IN}=-11.5V\sim-21.5V$, $f=120Hz$	54	60		dB
Peak Current	I_{PEAK}	$T_J=25^{\circ}C$		2.2		A

For UTC LM7909 ($V_{IN}=-15V$)

PARAMETER	SYMBOL	TEST CONDITIONS	MIN	TYP	MAX	UNIT
Output Voltage	V_{OUT}	$T_J=25^{\circ}C$	-8.64	-9.0	-9.36	V
		$V_{IN}=-11.5V\sim-23V$, $I_{OUT}=5mA\sim 1A$, $P_D \leq 15W$	-8.55		-9.45	V
Dropout Voltage	V_D	$I_{OUT}=1A$, $T_J=25^{\circ}C$		2.0		V
Line Regulation	ΔV_{OUT}	$V_{IN}=-11.5V\sim-26V$, $T_J=25^{\circ}C$		10	180	mV
		$V_{IN}=-12V\sim-18V$, $T_J=25^{\circ}C$		5	90	mV
Load Regulation	ΔV_{OUT}	$I_{OUT}=5mA\sim 1A$, $T_J=25^{\circ}C$		12	180	mV
		$I_{OUT}=250mA\sim 750mA$, $T_J=25^{\circ}C$		4	90	mV
Quiescent Current	I_Q	$T_J=25^{\circ}C$		3	6	mA
Quiescent Current Change	ΔI_Q	$I_{OUT}=5mA\sim 1A$		0.05	0.5	mA
		$V_{IN}=-11.5V\sim-26V$		0.1	1.0	mA
Output Noise Voltage	eN	$f=10Hz\sim 100kHz$, $T_A=25^{\circ}C$		175		μV
Output Voltage Drift	$\Delta V_{OUT}/\Delta T$	$I_{OUT}=5mA$		-0.6		$mV/^{\circ}C$
Ripple Rejection	RR	$V_{IN}=-12.5V\sim-22.5V$, $f=120Hz$	54	60		dB
Peak Current	I_{PEAK}	$T_J=25^{\circ}C$		2.2		A

■ ELECTRICAL CHARACTERISTICS(Cont.)

For UTC LM7912 ($V_{IN}=-18V$)

PARAMETER	SYMBOL	TEST CONDITIONS	MIN	TYP	MAX	UNIT
Output Voltage	V_{OUT}	$T_J=25^{\circ}C$	-11.52	-12.0	-12.48	V
		$V_{IN}=-14.5V\sim-27V$, $I_{OUT}=5mA\sim 1A$, $P_D\leq 15W$	-11.40		-12.60	V
Dropout Voltage	V_D	$I_{OUT}=1A$, $T_J=25^{\circ}C$		2		V
Line Regulation	ΔV_{OUT}	$V_{IN}=-14.5V\sim-30V$, $T_J=25^{\circ}C$		12	240	mV
		$V_{IN}=-16V\sim-22V$, $T_J=25^{\circ}C$		6	120	mV
Load Regulation	ΔV_{OUT}	$I_{OUT}=5mA\sim 1A$, $T_J=25^{\circ}C$		12	240	mV
		$I_{OUT}=250mA\sim 750mA$, $T_J=25^{\circ}C$		4	120	mV
Quiescent Current	I_Q	$T_J=25^{\circ}C$		3	6	mA
Quiescent Current Change	ΔI_Q	$I_{OUT}=5mA\sim 1A$		0.05	0.5	mA
		$V_{IN}=-14.5V\sim-30V$		0.1	1.0	mA
Output Noise Voltage	eN	$f=10Hz\sim 100kHz$, $T_A=25^{\circ}C$		200		μV
Output Voltage Drift	$\Delta V_{OUT}/\Delta T$	$I_{OUT}=5mA$		-0.8		$mV/^{\circ}C$
Ripple Rejection	RR	$V_{IN}=-15V\sim-25V$, $f=120Hz$	54	60		dB
Peak Current	I_{PEAK}	$T_J=25^{\circ}C$		2.2		A

For UTC LM7915 ($V_{IN}=-23V$)

PARAMETER	SYMBOL	TEST CONDITIONS	MIN	TYP	MAX	UNIT
Output Voltage	V_{OUT}	$T_J=25^{\circ}C$	-14.40	-15.0	-15.60	V
		$V_{IN}=-17.5V\sim-30V$, $I_{OUT}=5mA\sim 1A$, $P_D\leq 15W$	-14.25		-15.75	V
Dropout Voltage	V_D	$I_{OUT}=1A$, $T_J=25^{\circ}C$		2		V
Line Regulation	ΔV_{OUT}	$V_{IN}=-17.5V\sim-30V$, $T_J=25^{\circ}C$		12	300	mV
		$V_{IN}=-20V\sim-26V$, $T_J=25^{\circ}C$		6	150	mV
Load Regulation	ΔV_{OUT}	$I_{OUT}=5mA\sim 1A$, $T_J=25^{\circ}C$		12	300	mV
		$I_{OUT}=250mA\sim 750mA$, $T_J=25^{\circ}C$		4	150	mV
Quiescent Current	I_Q	$T_J=25^{\circ}C$		3	6	mA
Quiescent Current Change	ΔI_Q	$I_{OUT}=5mA\sim 1A$		0.05	0.5	mA
		$V_{IN}=-17.5V\sim-30.5V$		0.1	1.0	mA
Output Noise Voltage	eN	$f=10Hz\sim 100kHz$, $T_A=25^{\circ}C$		250		μV
Output Voltage Drift	$\Delta V_{OUT}/\Delta T$	$I_{OUT}=5mA$		-0.9		$mV/^{\circ}C$
Ripple Rejection	RR	$V_{IN}=-18.5V\sim-28.5V$, $f=120Hz$	54	60		dB
Peak Current	I_{PEAK}	$T_J=25^{\circ}C$		2.2		A

For UTC LM7918 ($V_{IN}=-27V$)

PARAMETER	SYMBOL	TEST CONDITIONS	MIN	TYP	MAX	UNIT
Output Voltage	V_{OUT}	$T_J=25^{\circ}C$	-17.28	-18.0	-18.72	V
		$V_{IN}=-21V\sim-33V$, $I_{OUT}=5mA\sim 1A$, $P_D\leq 15W$	-17.10		-18.90	V
Dropout Voltage	V_D	$I_{OUT}=1A$, $T_J=25^{\circ}C$		2		V
Line Regulation	ΔV_{OUT}	$V_{IN}=-21V\sim-33V$, $T_J=25^{\circ}C$		15	360	mV
		$V_{IN}=-24V\sim-30V$, $T_J=25^{\circ}C$		8	180	mV
Load Regulation	ΔV_{OUT}	$I_{OUT}=5mA\sim 1A$, $T_J=25^{\circ}C$		15	360	mV
		$I_{OUT}=250mA\sim 750mA$, $T_J=25^{\circ}C$		5.0	180	mV
Quiescent Current	I_Q	$T_J=25^{\circ}C$		3	6	mA
Quiescent Current Change	ΔI_Q	$I_{OUT}=5mA\sim 1A$		0.05	0.5	mA
		$V_{IN}=-21V\sim-32V$		0.1	1.0	mA
Output Noise Voltage	eN	$f=10Hz\sim 100kHz$, $T_A=25^{\circ}C$		300		μV
Output Voltage Drift	$\Delta V_{OUT}/\Delta T$	$I_{OUT}=5mA$		-1		$mV/^{\circ}C$
Ripple Rejection	RR	$V_{IN}=-22V\sim-32V$, $f=120Hz$	54	60		dB
Peak Current	I_{PEAK}	$T_J=25^{\circ}C$		2.2		A

■ ELECTRICAL CHARACTERISTICS(Cont.)

For UTC LM7924 ($V_{IN}=-33V$)

PARAMETER	SYMBOL	TEST CONDITIONS	MIN	TYP	MAX	UNIT
Output Voltage	V_{OUT}	$T_J=25^{\circ}C$	-23.04	-24	-24.96	V
		$V_{IN}=-27V\sim-38V$ $I_{OUT}=5mA\sim 1A, P_D \leq 15W$	-22.80		-25.20	V
Dropout Voltage	V_D	$I_{OUT}=1.0A$ $T_J=25^{\circ}C$		2		V
Line Regulation	ΔV_{OUT}	$V_{IN}=-27V\sim-38V$ $T_J=25^{\circ}C$		15	480	mV
		$V_{IN}=-30V\sim-36V$ $T_J=25^{\circ}C$		8	240	mV
Load Regulation	ΔV_{OUT}	$I_{OUT}=5mA\sim 1A$ $T_J=25^{\circ}C$		15	480	mV
		$I_{OUT}=250mA\sim 750mA$ $T_J=25^{\circ}C$		5.0	240	mV
Quiescent Current	I_Q	$T_J=25^{\circ}C$		3	6	mA
Quiescent Current Change	ΔI_Q	$I_{OUT}=5mA\sim 1A$		0.05	0.5	mA
		$V_{IN}=-27V\sim-38V$		0.1	1.0	mA
Output Noise Voltage	eN	$f=10Hz\sim 100kHz$ $T_A=25^{\circ}C$		400		μV
Output Voltage Drift	$\Delta V_{OUT}/\Delta T$	$I_{OUT}=5mA$		-1		mV/ $^{\circ}C$
Ripple Rejection	RR	$V_{IN}=-28V\sim-38V, f=120Hz$	54	60		dB
Peak Current	I_{PEAK}	$T_J=25^{\circ}C$		2.2		A

■ APPLICATION CIRCUITS

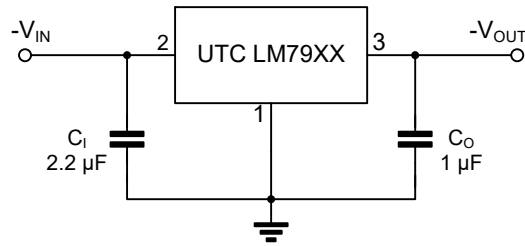


Fig.1 Fixed output regulator

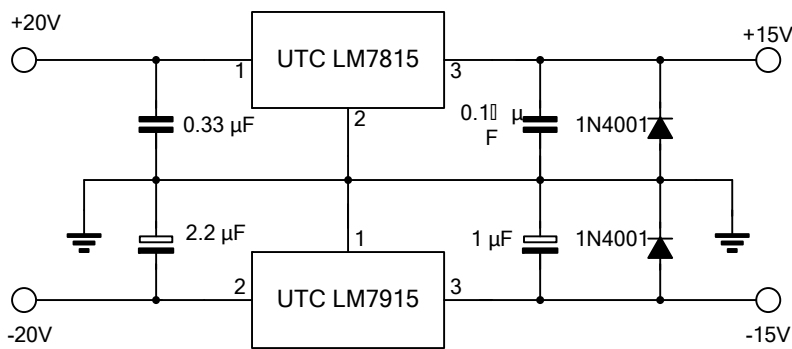


Fig.2 Split power supply(+15V, 1A)

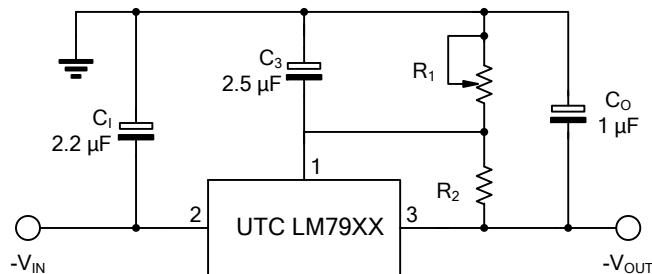


Fig.3 Circuit for increasing output voltage

UTC assumes no responsibility for equipment failures that result from using products at values that exceed, even momentarily, rated values (such as maximum ratings, operating condition ranges, or other parameters) listed in products specifications of any and all UTC products described or contained herein. UTC products are not designed for use in life support appliances, devices or systems where malfunction of these products can be reasonably expected to result in personal injury. Reproduction in whole or in part is prohibited without the prior written consent of the copyright owner. UTC reserves the right to make changes to information published in this document, including without limitation specifications and product descriptions, at any time and without notice. This document supersedes and replaces all information supplied prior to the publication hereof.