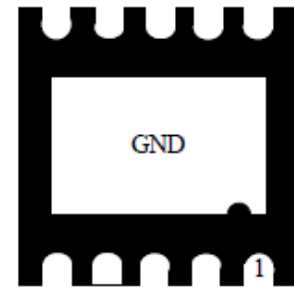




FEATURES

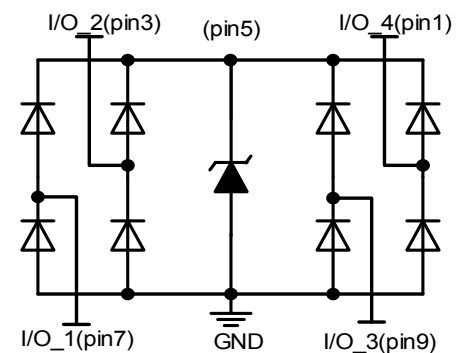
- ✧ 450 Watts peak pulse power per line ($t_p=8/20\mu s$)
- ✧ Protects four I/O lines and one V_{CC} line
- ✧ Low clamping voltage
- ✧ Ultra low capacitance: $<3pF$ for high-speed interfaces
- ✧ Working voltage: 3.3V
- ✧ Low leakage current
- ✧ RoHS compliant



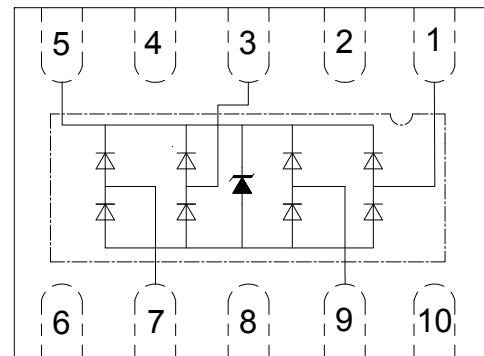
DFN2.6×2.6-10L

MAIN APPLICATIONS

- ✧ USB 2.0
- ✧ 10/100/1000 ethernet
- ✧ DVI interfaces
- ✧ Wireless data (WAN/LAN) systems
- ✧ Analog video
- ✧ T1/E1 secondary protection
- ✧ T3/E3 secondary protection



Pin configuration



Top view

PROTECTION SOLUTION TO MEET

- ✧ IEC61000-4-2 (ESD) $\pm 30kV$ (air), $\pm 30kV$ (contact)
- ✧ IEC61000-4-4 (EFT) 40A (5/50ns)
- ✧ IEC61000-4-5 (Lightning) 25A (8/20 μs)

MECHANICAL CHARACTERISTICS

- ✧ JEDEC DFN2.6×2.6-10L package
- ✧ Molding compound flammability rating : UL 94V-0
- ✧ Quantity per reel : 3,000pcs
- ✧ Lead finish : lead free
- ✧ Marking code: 2201+data code

ABSOLUTE MAXIMUM RATINGS ($T_A=25^{\circ}\text{C}$, $\text{RH}=45\%-75\%$, unless otherwise noted)

Parameter	Symbol	Value	Unit
Peak pulse power dissipation on 8/20 μs waveform	P_{PP}	450	W
ESD per IEC 61000-4-2 (Air) ESD per IEC 61000-4-2 (Contact)	V_{ESD}	+/- 30 +/- 30	kV
Lead soldering temperature	T_L	260 (10 sec.)	$^{\circ}\text{C}$
Operating junction temperature range	T_J	-55 to +125	$^{\circ}\text{C}$
Storage temperature range	T_{STG}	-55 to +150	$^{\circ}\text{C}$

ELECTRICAL CHARACTERISTICS ($T_A=25^{\circ}\text{C}$)

Parameter	Symbol	Conditions	Min	Typ	Max	Unit
Reverse working voltage	V_{RWM}	Any pin to ground			3.3	V
Reverse breakdown voltage	V_{BR}	$I_T=1\text{mA}$ pin to ground	3.7			V
Reverse holding voltage	V_H	$I_H=50\text{mA}$	3.5			V
Reverse leakage current	I_R	$V_{RWM}=3.3\text{V}, T=25^{\circ}\text{C}$			0.1	μA
Clamping voltage	V_C	$I_{PP} = 5\text{A}, t_P=8/20\mu\text{s}$ I/O pin to GND			10	V
	V_C	$I_{PP} = 25\text{A}, t_P=8/20\mu\text{s}$ I/O pin to GND			16	V
Junction capacitance	C_J	$V_{RWM}=0\text{V}, f=1\text{MHz}$ Between I/O pins		2		pF
		$V_{RWM}=0\text{V}, f=1\text{MHz}$ I/O pin to GND		3.8	5	

RATINGS AND V-I CHARACTERISTICS CURVES (T_A=25°C, unless otherwise noted)

FIG.1: V- I curve characteristics (Uni-directional)

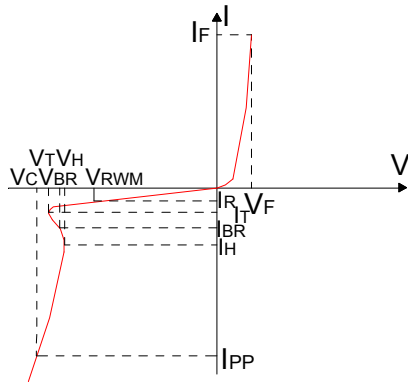


FIG.2: Pulse waveform (8/20μs)

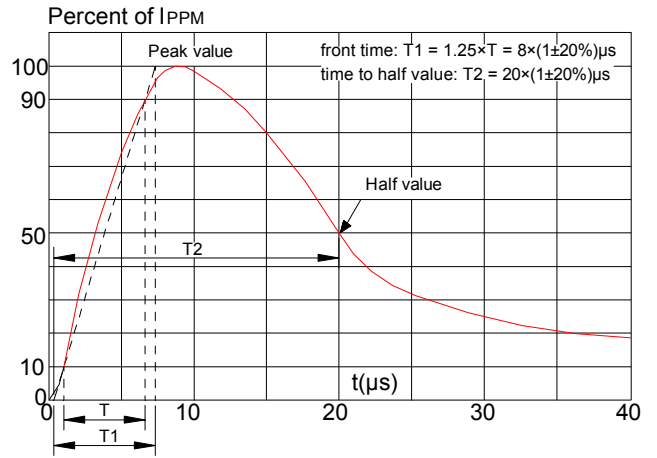


FIG.3: Pulse derating curve

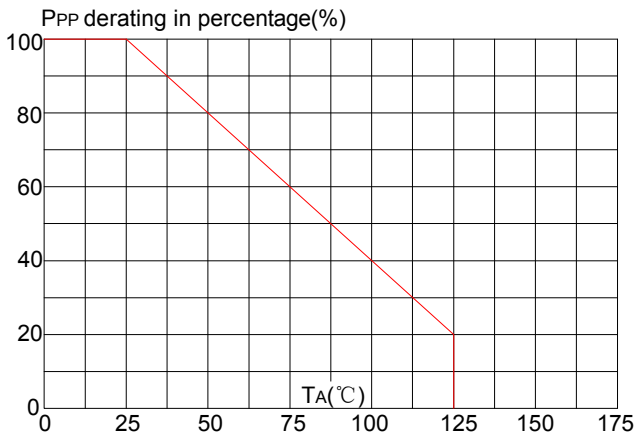
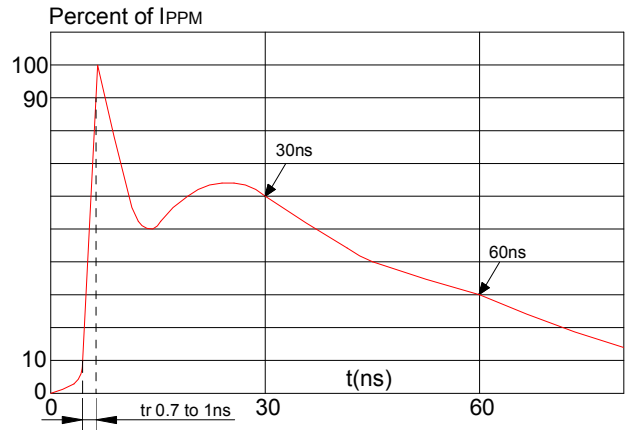
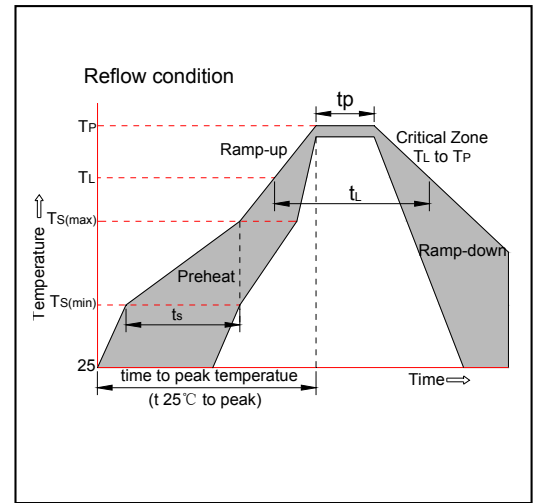


FIG.4: ESD clamping (30kV contact)

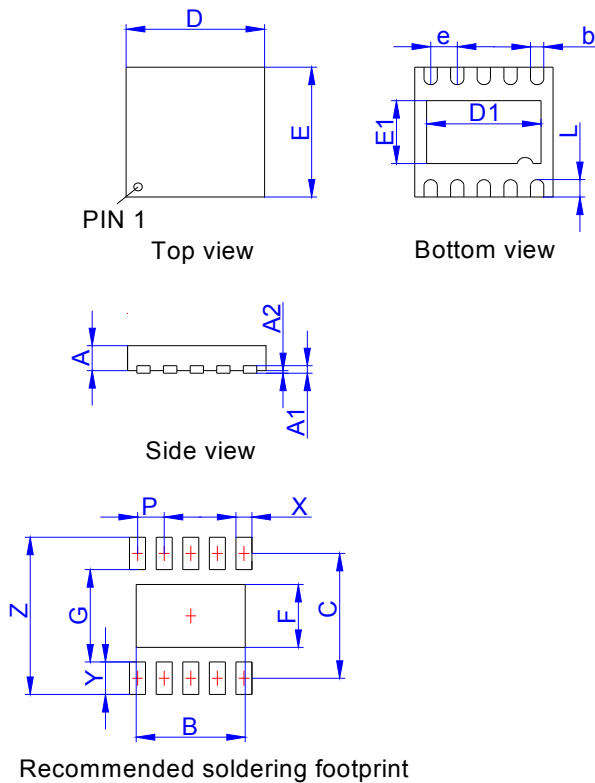


SOLDERING PARAMETERS

Reflow Condition		Pb-Free assembly (see figure at right)
Pre Heat	-Temperature Min ($T_{s(min)}$)	+150°C
	-Temperature Max($T_{s(max)}$)	+200°C
	-Time (Min to Max) (t_s)	60-180 secs.
Average ramp up rate (Liquidus Temp (T_L) to peak)		3°C/sec. Max
$T_{s(max)}$ to T_L - Ramp-up Rate		3°C/sec. Max
Reflow	-Temperature(T_L)(Liquidus)	+217°C
	-Temperature(t_L)	60-150 secs.
Peak Temp (T_P)		+260(+0/-5)°C
Time within 5°C of actual Peak Temp (t_p)		20-40secs.
Ramp-down Rate		6°C/sec. Max
Time 25°C to Peak Temp (T_P)		8 min. Max
Do not exceed		+260°C

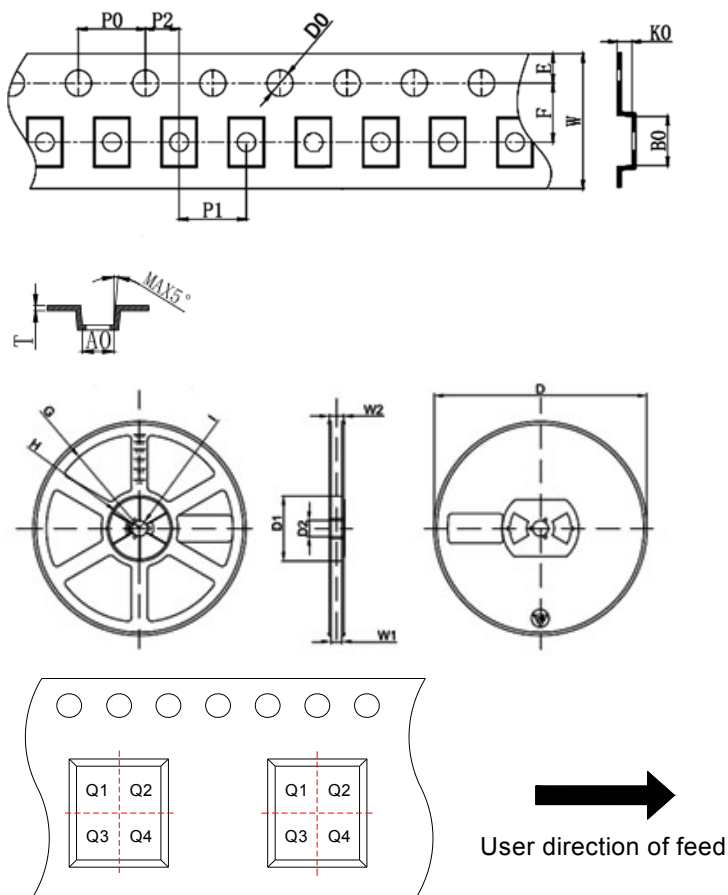


PACKAGE MECHANICAL DATA



Symbol	Dimensions					
	Millimeters			Inches		
	Min.	Typ.	Max.	Min.	Typ.	Max.
D	2.55	2.60	2.65	0.100	0.102	0.104
E	2.55	2.60	2.65	0.100	0.102	0.104
D1	2.10	2.15	2.20	0.083	0.085	0.087
E1	1.21	1.26	1.31	0.048	0.050	0.052
L	0.30	0.35	0.40	0.012	0.014	0.016
b	0.20	0.25	0.30	0.008	0.010	0.012
e	0.50BSC			0.020BSC		
A	0.45	0.50	0.55	0.018	0.020	0.022
A1	0.15REF			0.006REF		
A2	0.00	0.02	0.05	0.000	0.001	0.002
B	2.05			0.081		
C	2.50			0.098		
F	1.26			0.050		
G	1.85			0.073		
P	0.50			0.020		
X	0.30			0.012		
Y	0.65			0.026		
Z	3.15			0.124		

TAPE AND REEL INFORMATION-DFN2.6×2.6-10L



Pin 1 quadrant:Q1&Q2

Packaging Description:


DFN2.6×2.6-10L parts are shipped in tape. The carrier tape is made from a dissipative(carbon filled) polycarbonate resin. The cover tape is a multilayer film(heat activated adhesive in nature)primarily composed of polyester film, adhesive layer, sealant, and anti-static sprayed agent. These reeled parts in standard option are shipped with 3,000units per 7" or 17.8cm diameter reel. The reels are clear in color and made of polystyrene plastic(anti-static coated).

Symbol	Millimeters	Inches
	Typ.	Typ.
A0	2.73	0.107
B0	2.78	0.109
K0	0.97	0.038
D0	Φ1.50	Φ0.059
P0	4.00	0.157
P1	4.00	0.157
P2	2.00	0.079
E	1.75	0.069
F	3.50	0.138
W	8.00	0.315
D	Φ178	Φ7.008
D1	54.40	2.142
D2	13.00	0.512
G	R78.00	R3.071
H	R25.60	R1.008
I	R6.50	R0.256
W1	9.50	0.374
W2	12.30	0.484

ORDERING INFORMATION

OUTLINE	Package	Reel Size	Quantity Per Reel
TAPING	DFN2.6×2.6-10L	7 Inch	3,000 pcs

MARKING CODE

Part Number	Marking Code
JEU3K4DF	<div style="border: 1px solid black; padding: 10px; display: inline-block;"> <p style="text-align: center;">2201 YYWW</p>  </div>

Information furnished in this document is believed to be accurate and reliable. However, Jiangsu JieJie Microelectronics Co.,Ltd assumes no responsibility for the consequences of use without consideration for such information nor use beyond it.

Information mentioned in this document is subject to change without notice, apart from that when an agreement is signed, Jiangsu JieJie complies with the agreement.

Products and information provided in this document have no infringement of patents. Jiangsu JieJie assumes no responsibility for any infringement of other rights of third parties which may result from the use of such products and information.

This document is the 3.5th version which is made in 16-Oct.-2020. This document supersedes and replaces all information previously supplied.

 is a registered trademark of Jiangsu JieJie Microelectronics Co.,Ltd.

Copyright ©2020 Jiangsu JieJie Microelectronics Co.,Ltd. Printed All rights reserved.