



J5GxxxM3SF Gas Discharge Tube

Rev.1.1

FEATURE

- ✧ Eliminates small size design EIA 7.6×5.0×5.0mm.
- ✧ Current handling capability 5,000A@8/20μs.
- ✧ Low capacitance and insertion loss.
- ✧ Fast response and long service life.
- ✧ Reliable to protect electrostatic surge.
- ✧ Moisture sensitivity level: Level 1.



Exterior



Schematic symbol

APPLICATION INFORMATION

- ✧ Repeaters, modems.
- ✧ Telephone interface, line cards.
- ✧ Data communication equipment.
- ✧ Line test equipment.

ELECTRICAL CHARACTERISTICS

Part number	DC breakdown voltage 100V/s(V)	Tolerance of V_s	Impulse spark-over voltage 1KV/μs(V)	Impulse discharge current 8/20μs(A)	Insulation resistance		C_o (1MHz)
					GΩ	DC(V)	
J5G091M3SF	90	±20%	≤700	5000	≥1	50	≤1pF
J5G151M3SF	150	±20%	≤750	5000	≥1	50	≤1pF
J5G231M3SF	230	±20%	≤850	5000	≥1	100	≤1pF
J5G421M3SF	420	±20%	≤1050	5000	≥1	250	≤1pF
J5G471M3SF	470	±20%	≤1100	5000	≥1	250	≤1pF

1. The parameters of all tested by ITU-T K12.
2. Total Impulse discharge current 5,000A@ 8/20μs by IEC 61000-4-5, 10 shots.
3. The capacitance is tested by 1MHz@DC=0.5V.
4. The V-T waveform of DCBV and IPBV mus lie between the shades.

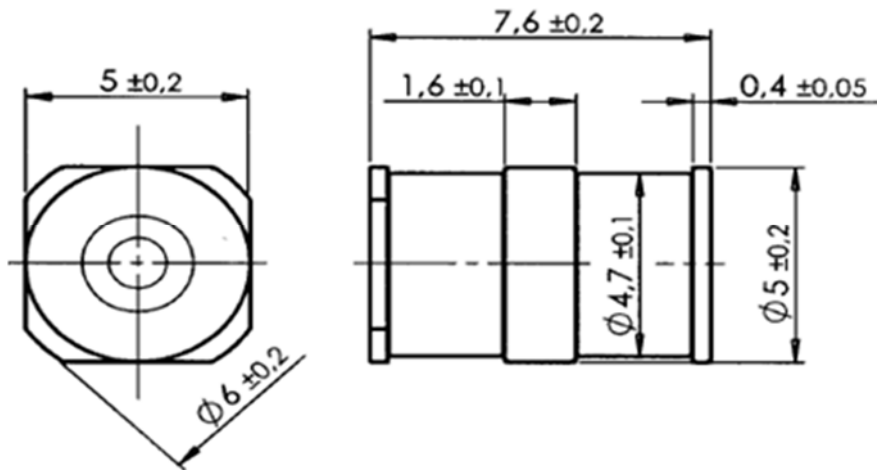
PART NUMBERING SYSTEM

J5G 091 M 3S F

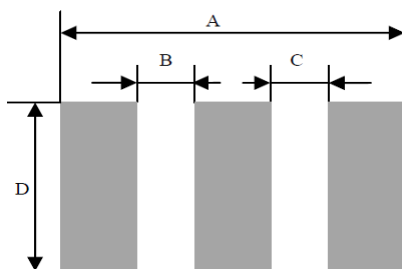
(1) (2) (3) (4) (5)

- (1) JieJie 5KA gas discharge tube
- (2) DC breakdown voltage, e.g., 91=9×10¹=90V
- (3) Tolerance is DC breakdown voltage, M=+-20%, N=+-30%
- (4) 3-electrod SMD
- (5) Dimension in 7.6×5.0×5.0 (mm)

PRODUCT DIMENSIONS (unit: mm)



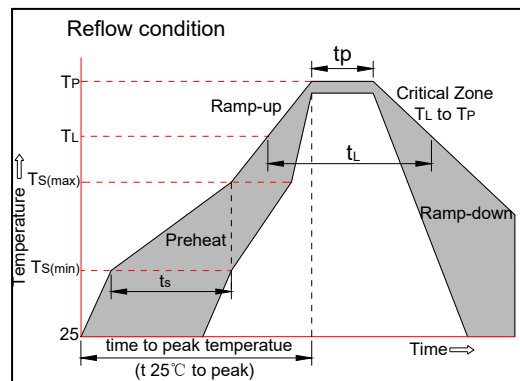
RECOMMENDED SOLDERING PAD



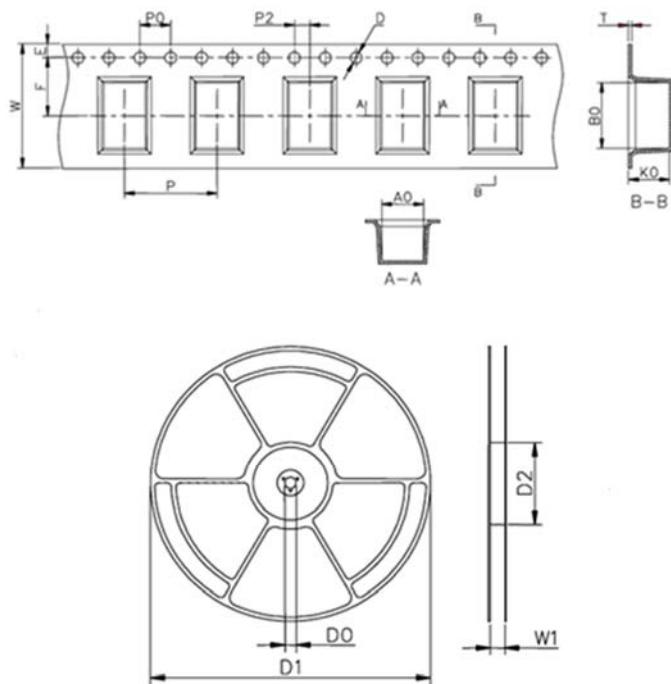
REF	mm	inch
A	9.6	0.378
B	1.5	0.059
C	1.5	0.059
D	5.0	0.197

REFLOW PROFILE

Reflow Condition		Pb-Free assembly (see figure at right)
Pre Heat	-Temperature Min ($T_{s(min)}$)	+150°C
	-Temperature Max($T_{s(max)}$)	+200°C
	-Time (Min to Max) (ts)	60-180 secs.
Average ramp up rate (Liquidus Temp (T_L)to peak)		3°C/sec. Max
$T_{s(max)}$ to T_L - Ramp-up Rate		3°C/sec. Max
Reflow	-Temperature(T_L)(Liquidus)	+217°C
	-Temperature(t_L)	60-150 secs.
Peak Temp (T_P)		+260(+0/-5)°C
Time within 5°C of actual Peak Temp (t_p)		~10 secs.
Ramp-down Rate		6°C/sec. Max
Time 25°C to Peak Temp (T_P)		8 min. Max
Do not exceed		+260°C



PACKAGE REEL INFORMATION



Symbol	Millimeters	Inches
W	16±0.3	0.630±0.012
A0	5.4±0.1	0.213±0.004
B0	8.4±0.1	0.331±0.004
K0	5.3±0.1	0.209±0.004
P	12±0.1	0.472±0.004
F	7.5±0.1	0.295±0.004
E	1.75±0.1	0.069±0.004
D	1.5+0.1/-0.0	0.059+0.004/-0.0
P0	4±0.1	0.157±0.004
P2	2±0.1	0.079±0.004
T	0.4±0.1	0.016±0.004
D0	13.3±0.15	0.524±0.006
D1	330±2	12.992±0.079
D2	100+1/-2	3.937+0.039/-0.079
W1	16.5±0.4	0.65±0.016

PACKAGING


Part No.	Reel Quantity (pcs)	Per Carton (pcs)
J5GxxxM3SF	1,000	20,000

Information furnished in this document is believed to be accurate and reliable. However, Jiangsu JieJie Microelectronics Co.,Ltd assumes no responsibility for the consequences of use without consideration for such information nor use beyond it.

Information mentioned in this document is subject to change without notice, apart from that when an agreement is signed, Jiangsu JieJie complies with the agreement.

Products and information provided in this document have no infringement of patents. Jiangsu JieJie assumes no responsibility for any infringement of other rights of third parties which may result from the use of such products and information.

This document is the first version which is made in 19-Aug.-2017. This document supersedes and replaces all information previously supplied.

 is a registered trademark of Jiangsu JieJie Microelectronics Co.,Ltd.

Copyright©2017 Jiangsu JieJie Microelectronics Co.,Ltd. Printed All rights reserved.