

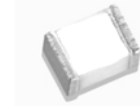


## J2GxxxN2SA Gas Discharge Tube

Rev.1.1

### FEATURE

- ✧ Eliminates small size design EIA 4.5×3.2×2.7mm.
- ✧ Current handling capability 2,000A@8/20μs.
- ✧ Low capacitance and insertion loss.
- ✧ Fast response and long service life.
- ✧ Reliable to protect electrostatic surge.
- ✧ Moisture sensitivity level: Level 1.
- ✧ Storage and operating temperature -40~90°C.



Exterior



Schematic symbol

### APPLICATION INFORMATION

- ✧ Repeaters, modems.
- ✧ Telephone interface, line cards.
- ✧ Data communication equipment.
- ✧ Line test equipment.

### ELECTRICAL CHARACTERISTICS

Part number	DC breakdown voltage 100V/s(V)	Tolerance of $V_s$	Impulse spark-over voltage 1KV/μs(V)	Impulse discharge current 8/20μs(A)	Insulation resistance		$C_o$ (1MHz)
					GΩ	DC(V)	
J2G091N2SA	90	±30%	≤700	2000	≥1	50	≤1pF
J2G151N2SA	150	±30%	≤750	2000	≥1	50	≤1pF
J2G231N2SA	230	±30%	≤800	2000	≥1	100	≤1pF
J2G301N2SA	300	±30%	≤900	2000	≥1	100	≤1pF
J2G401N2SA	400	±30%	≤1000	2000	≥1	100	≤1pF
J2G471N2SA	470	±30%	≤1050	2000	≥1	100	≤1pF

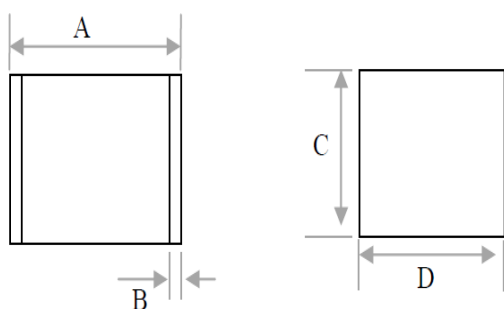
1. The parameters of all tested by ITU-T K12.
2. Total Impulse discharge current 2,000A@ 8/20μs by IEC 61000-4-5, 10 shots.
3. The capacitance is tested by 1MHz@DC=0.5V.
4. The V-T waveform of DCBV and IPBV mus lie between the shades.

**PART NUMBERING SYSTEM**

J2G 091 N 2S A  
 (1) (2) (3) (4) (5)

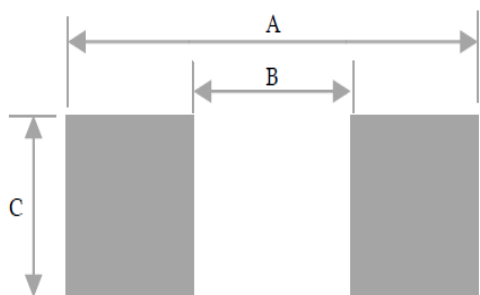
- (1) JieJie 2KA gas discharge tube
- (2) DC breakdown voltage, e.g., 91=9×10<sup>1</sup>=90V
- (3) Tolerance is DC breakdown voltage, M=+-20%, N=+-30%
- (4) 2-electrod SMD
- (5) Dimension in 4.5×3.2×2.7 (mm)

**PRODUCT DIMENSIONS (unit: mm)**



REF	mm	inch
A	4.5±0.3	0.177±0.012
B	0.5±0.2	0.020±0.008
C	2.7±0.2	0.106±0.008
D	3.2±0.2	0.126±0.008

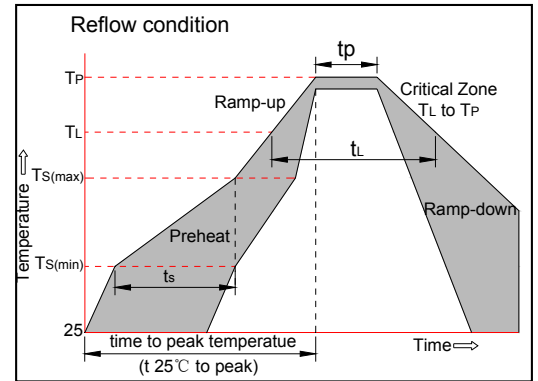
**RECOMMENDED SOLDERING PAD**



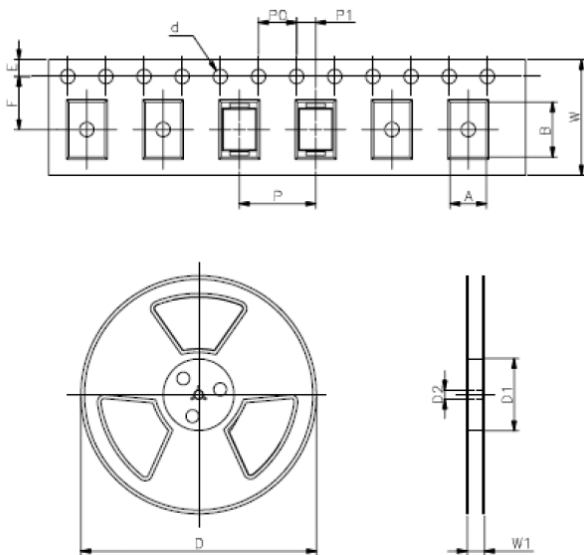
REF	mm	inch
A	5.5	0.217
B	3.5	0.138
C	3.5	0.138

REFLOW PROFILE

Reflow Condition		Pb-Free assembly (see figure at right)
Pre Heat	-Temperature Min ( $T_{s(min)}$ )	+150°C
	-Temperature Max( $T_{s(max)}$ )	+200°C
	-Time (Min to Max) (ts)	60-180 secs.
Average ramp up rate (Liquidus Temp ( $T_L$ )to peak)		3°C/sec. Max
$T_{s(max)}$ to $T_L$ - Ramp-up Rate		3°C/sec. Max
Reflow	-Temperature( $T_L$ )(Liquidus)	+217°C
	-Temperature( $t_L$ )	60-150 secs.
Peak Temp ( $T_p$ )		+260(+0/-5)°C
Time within 5°C of actual Peak Temp ( $t_p$ )		~10 secs.
Ramp-down Rate		6°C/sec. Max
Time 25°C to Peak Temp ( $T_p$ )		8 min. Max
Do not exceed		+260°C



PACKAGE REEL INFORMATION



REF	mm	inch
A	3.7±0.2	0.146±0.008
B	4.7±0.2	0.185±0.008
d	Φ 1.5±0.1	Φ 0.059±0.004
E	1.75±0.1	0.069±0.004
F	5.5±0.1	0.217±0.002
P	8.0±0.1	0.315±0.004
P0	4.0±0.1	0.157±0.004
P1	2.0±0.1	0.079±0.004
W	12.0±0.2	0.472±0.008
D	Φ330.0	Φ13.0
D1	Φ50Min	Φ1.97Min
D2	Φ13±0.15	0.512±0.006
W1	16.8±2.0	0.661±0.079

PACKAGING


Part No.	Reel Quantity (pcs)	Per Carton (pcs)
J2GxxxN2SA	2500	50,000

Information furnished in this document is believed to be accurate and reliable. However, Jiangsu JieJie Microelectronics Co.,Ltd assumes no responsibility for the consequences of use without consideration for such information nor use beyond it.

Information mentioned in this document is subject to change without notice, apart from that when an agreement is signed, Jiangsu JieJie complies with the agreement.

Products and information provided in this document have no infringement of patents. Jiangsu JieJie assumes no responsibility for any infringement of other rights of third parties which may result from the use of such products and information.

This document is the 1.1st version which is made in 26-Nov.-2018. This document supersedes and replaces all information previously supplied.

 is a registered trademark of Jiangsu JieJie Microelectronics Co.,Ltd.

Copyright©2018Jiangsu JieJie Microelectronics Co.,Ltd. Printed All rights reserved.