



J20GxxxM2SH Gas Discharge Tube

Rev.1.0

FEATURE

- ✧ Eliminates small size design EIA 8.3×8.3×6.0mm.
- ✧ Current handling capability 20,000A@8/20μs.
- ✧ Low capacitance and insertion loss.
- ✧ Fast response and long service life.
- ✧ Reliable to protect electrostatic surge.
- ✧ Moisture sensitivity level: Level 1.



Exterior



Schematic symbol

APPLICATION INFORMATION

- ✧ Repeaters, modems.
- ✧ Telephone interface, line cards.
- ✧ Data communication equipment.
- ✧ Line test equipment.

ELECTRICAL CHARACTERISTICS

Part number	DC breakdown voltage 100V/s(V)	Tolerance of V _S	Impulse spark-over voltage 1KV/μs(V)	Impulse discharge current 8/20μs(A)	Insulation resistance		C _o (1MHz)
					GΩ	DC(V)	
J20G091M2SH	90	±20%	≤700	20,000	≥1	100	≤1.5pF
J20G231M2SH	150	±20%	≤900	20,000	≥1	100	≤1.5pF
J20G471M2SH	470	±20%	≤1100	20,000	≥1	100	≤1.5pF
J20G601M2SH	600	±20%	≤1300	20,000	≥1	100	≤1.5pF

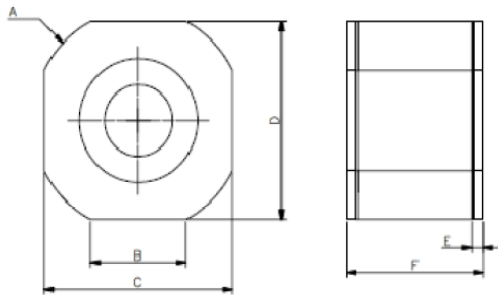
1. The parameters of all tested by ITU-T K12.
2. Total Impulse discharge current 20,000A@ 8/20μs by IEC 61000-4-5, 10 shots.
3. The capacitance is tested by 1MHz@DC=0.5V.
4. The V-T waveform of DCBV and IPBV mus lie between the shades.

PART NUMBERING SYSTEM

J20G 231 M 2S H
 (1) (2) (3) (4) (5)

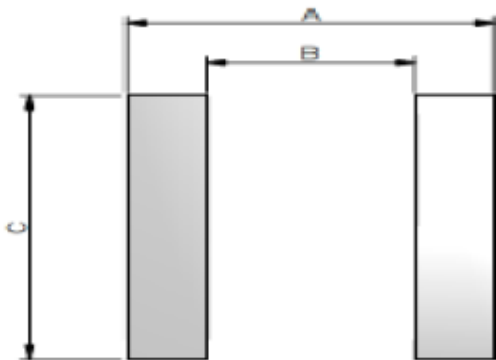
- (1) JieJie 20KA gas discharge tube
- (2) DC breakdown voltage, e.g., 231=23×10¹=230V
- (3) Tolerance is DC breakdown voltage, M=+-20%, N=+-30%
- (4) 2-electrod SMD
- (5) Dimension in 8.3×8.3×6.0 (mm)

PRODUCT DIMENSIONS (unit: mm)



REF	mm	inch
A	Φ9.3±0.1	Φ0.366±0.004
B	4.2±0.1	0.165±0.004
C	8.3±0.2	0.327±0.008
D	8.3±0.2	0.327±0.008
E	0.5±0.05	0.02±0.002
F	6±0.2	0.236±0.008

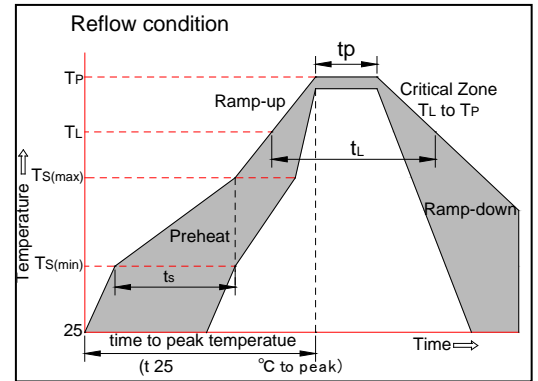
RECOMMENDED SOLDERING PAD



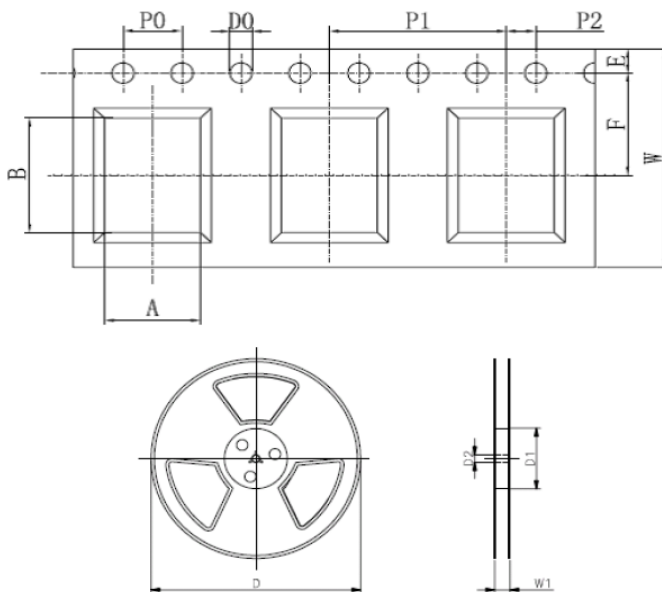
REF	mm	inch
A	7.95	0.313
B	4.5	0.177
C	8	0.315

REFLOW PROFILE

Reflow Condition		Pb-Free assembly (see figure at right)
Pre Heat	-Temperature Min ($T_{s(min)}$)	+150°C
	-Temperature Max($T_{s(max)}$)	+200°C
	-Time (Min to Max) (ts)	60-180 secs.
Average ramp up rate (Liquidus Temp (T_L)to peak)		3°C/sec. Max
$T_{s(max)}$ to T_L - Ramp-up Rate		3°C/sec. Max
Reflow	-Temperature(T_L)(Liquidus)	+217°C
	-Temperature(t_L)	60-150 secs.
Peak Temp (T_p)		+260(+0/-5)°C
Time within 5°C of actual Peak Temp (t_p)		~10 secs.
Ramp-down Rate		6°C/sec. Max
Time 25°C to Peak Temp (T_p)		8 min. Max
Do not exceed		+260°C



PACKAGE REEL INFORMATION



REF	mm	inch
P0	4.0±0.1	0.157±0.004
D0	Φ1.5 ^{+0.1} ₋₀	Φ0.059 ^{+0.004} ₋₀
P1	12±0.1	0.472±0.004
P2	2.0±0.1	0.079±0.004
A	6.5±0.2	0.256±0.008
B	8.4±0.2	0.331±0.008
F	7.5±0.1	0.295±0.004
E	1.75±0.1	0.069±0.004
W	16±0.3	0.63±0.012
D	Φ330±2	Φ12.99±0.079
D1	Φ100±2	Φ3.94±0.079
D2	Φ13±0.15	0.512±0.006
W1	21±2	0.827±0.079

PACKAGING


Part No.	Reel Quantity (pcs)	Per Carton (pcs)
J20GxxxM2SH	500	10,000

Information furnished in this document is believed to be accurate and reliable. However, Jiangsu JieJie Microelectronics Co.,Ltd assumes no responsibility for the consequences of use without consideration for such information nor use beyond it.

Information mentioned in this document is subject to change without notice, apart from that when an agreement is signed, Jiangsu JieJie complies with the agreement.

Products and information provided in this document have no infringement of patents. Jiangsu JieJie assumes no responsibility for any infringement of other rights of third parties which may result from the use of such products and information.

This document is the first version which is made in 19-Aug.-2017. This document supersedes and replaces all information previously supplied.

 is a registered trademark of Jiangsu JieJie Microelectronics Co.,Ltd.

Copyright©2017 Jiangsu JieJie Microelectronics Co.,Ltd. Printed All rights reserved.